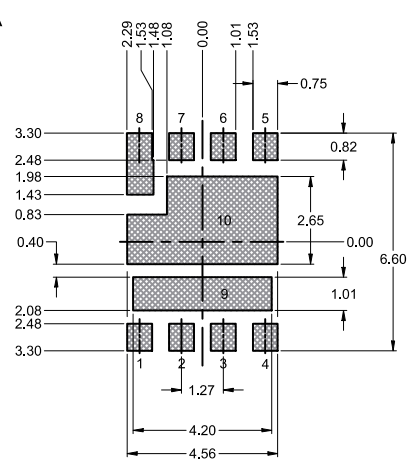
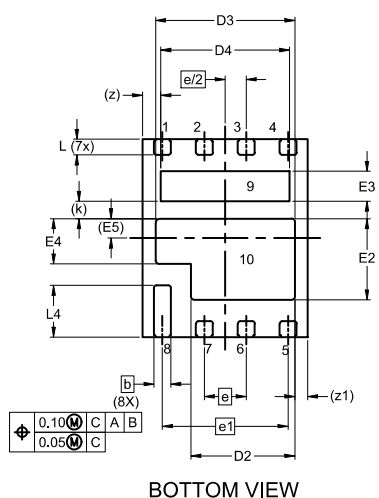
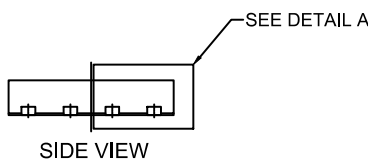
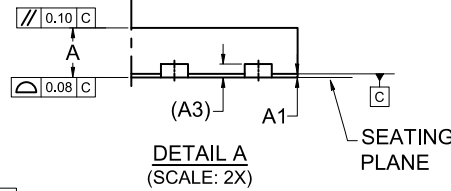
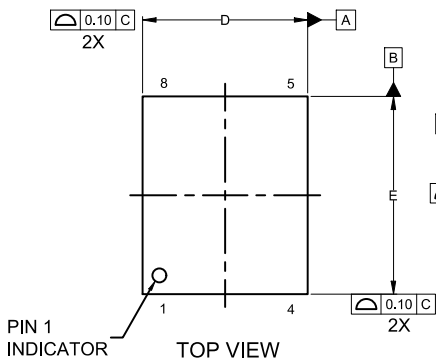


PQFN-8 5.00x6.00x0.75, 1.27P  
CASE 483AR  
ISSUE E

DATE 29 JUN 2026



NOTES: UNLESS OTHERWISE SPECIFIED

- A) DOES NOT FULLY CONFORM TO JEDEC REGISTRATION, MO-229, DATED 11/2001.
- B) ALL DIMENSIONS ARE IN MILLIMETERS.
- C) DIMENSIONS DO NOT INCLUDE BURRS OR MOLD FLASH. MOLD FLASH OR BURRS DOES NOT EXCEED 0.10MM.
- D) DIMENSIONING AND TOLERANCING PER ASME Y14.5M-1994.

DIM	MILLIMETERS		
	MIN.	NOM.	MAX.
A	0.70	0.75	0.80
A1	0.00	-	0.05
A3	0.20 REF		
b	0.51 BSC		
D	4.90	5.00	5.10
D2	3.05	3.15	3.25
D3	4.12	4.22	4.32
D4	3.80	3.90	4.00
E	5.90	6.00	6.10
E2	2.36	2.46	2.56
E3	0.81	0.91	1.01
E4	1.27	1.37	1.47
E5	0.59 REF		
e	1.27 BSC		
e/2	0.635 BSC		
e1	3.81 BSC		
k	0.52 REF		
L	0.38	0.48	0.58
L4	1.47	1.57	1.67
z	0.55 REF		
z1	0.39 REF		

RECOMMENDED LAND PATTERN  
\*FOR ADDITIONAL INFORMATION ON OUR PB-FREE STRATEGY AND SOLDERING DETAILS, PLEASE DOWNLOAD THE ONSEMI SOLDERING AND MOUNTING TECHNIQUES REFERENCE MANUAL, SOLDERRM/D.

DOCUMENT NUMBER:	98AON13666G	Electronic versions are uncontrolled except when accessed directly from the Document Repository. Printed versions are uncontrolled except when stamped "CONTROLLED COPY" in red.
DESCRIPTION:	PQFN-8 5.00x6.00x0.75, 1.27P	PAGE 1 OF 1

onsemi and Onsemi are trademarks of Semiconductor Components Industries, LLC dba onsemi or its subsidiaries in the United States and/or other countries. onsemi reserves the right to make changes without further notice to any products herein. onsemi makes no warranty, representation or guarantee regarding the suitability of its products for any particular purpose, nor does onsemi assume any liability arising out of the application or use of any product or circuit, and specifically disclaims any and all liability, including without limitation special, consequential or incidental damages. onsemi does not convey any license under its patent rights nor the rights of others.