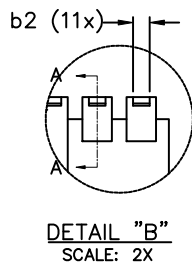
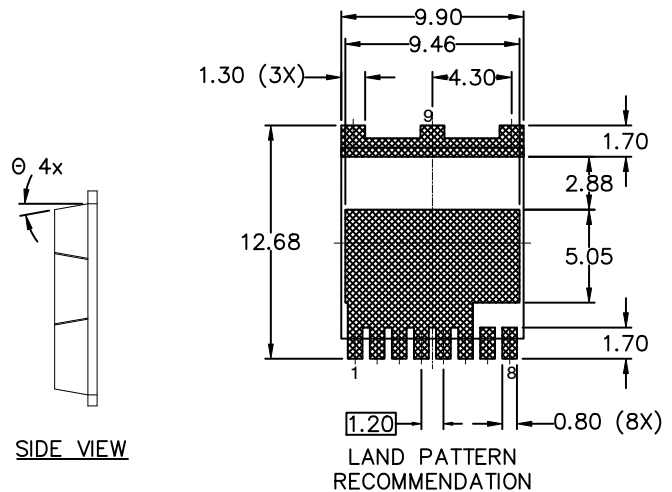
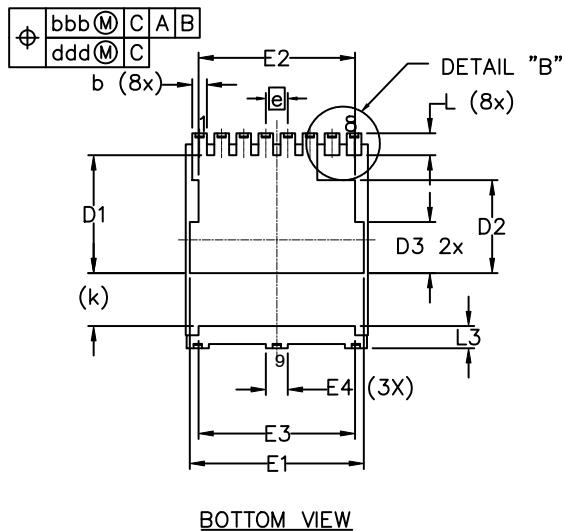
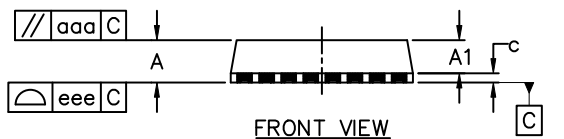
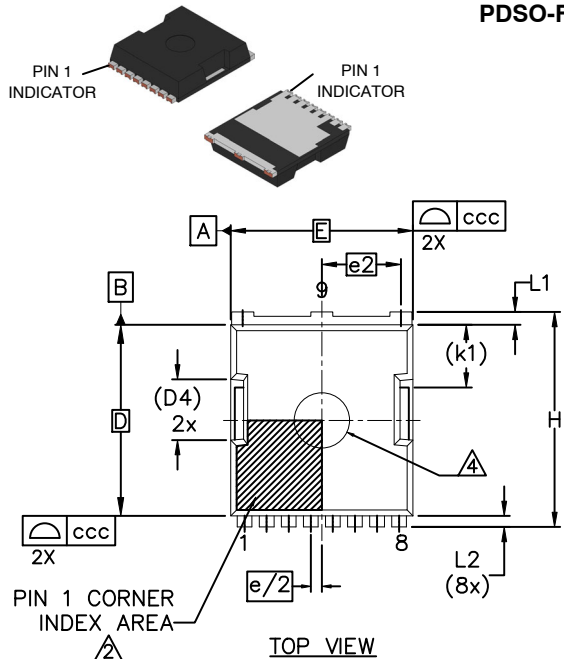
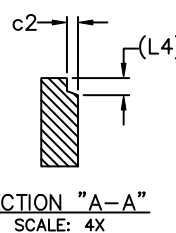


PDSO-F9 10.38x9.90x2.30, 1.20P
CASE 207AA
ISSUE O

DATE 25 FEB 2026



*FOR ADDITIONAL INFORMATION ON OUR PB-FREE STRATEGY AND SOLDERING DETAILS, PLEASE DOWNLOAD THE ONSEMI SOLDERING AND MOUNTING TECHNIQUES REFERENCE MANUAL, SOLDERRM/D.



DIM	MILLIMETERS		
	MIN.	NOM.	MAX.
A	2.15	2.30	2.45
A1	1.65	1.80	1.95
b	0.70	0.80	0.90
b2	0.31	0.43	0.55
c	0.40	0.50	0.60
c2	0.10	-	-
D	10.38 BSC		
D1	6.20	6.40	6.60
D2	4.85	5.05	5.25
D3	2.57	2.77	3.97
D4	3.30 REF		
E	9.90 BSC		
E1	9.26	9.46	9.66
E2	8.30	8.50	8.70
E3	8.30	8.50	8.70
E4	1.10	1.20	1.30
e	1.20 BSC		
e/2	0.60 BSC		
e2	4.30 BSC		
H	11.48	11.68	11.88
L	1.00	1.20	1.40
L1	0.50	0.70	0.90
L2	0.50	0.60	0.70
L3	1.00	1.20	1.40
L4	0.23 REF		
k	2.88 REF		
k1	3.41 REF		
θ	10° REF		
aaa	0.20		
bbb	0.25		
ccc	0.20		
ddd	0.20		
eee	0.20		

- NOTES:
1. DIMENSIONING AND TOLERANCING PER ASME Y14.5M, 2018.
 2. A VISUAL INDEX FEATURE MUST BE LOCATED WITHIN THE HATCHED AREA.
 3. DIMENSIONS DO NOT INCLUDE MOLD FLASH AND BURR.
 4. THE LOCATION AND SIZE OF EJECTOR MARKS ARE OPTIONAL.

This information is generic. Please refer to device data sheet for actual part marking. Pb-Free indicator, "G" or microdot "", may or may not be present. Some products may not follow the Generic Marking.

DOCUMENT NUMBER:	98AON70698H	Electronic versions are uncontrolled except when accessed directly from the Document Repository. Printed versions are uncontrolled except when stamped "CONTROLLED COPY" in red.
DESCRIPTION:	PDSO-F9 10.38x9.90x2.30, 1.20P	PAGE 1 OF 1

onsemi and ONSEMI are trademarks of Semiconductor Components Industries, LLC dba onsemi or its subsidiaries in the United States and/or other countries. onsemi reserves the right to make changes without further notice to any products herein. onsemi makes no warranty, representation or guarantee regarding the suitability of its products for any particular purpose, nor does onsemi assume any liability arising out of the application or use of any product or circuit, and specifically disclaims any and all liability, including without limitation special, consequential or incidental damages. onsemi does not convey any license under its patent rights nor the rights of others.