

# MECHANICAL CASE OUTLINE

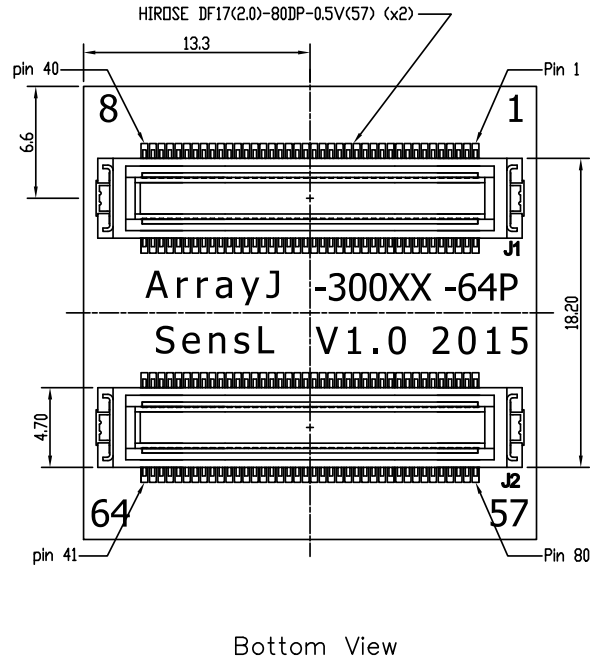
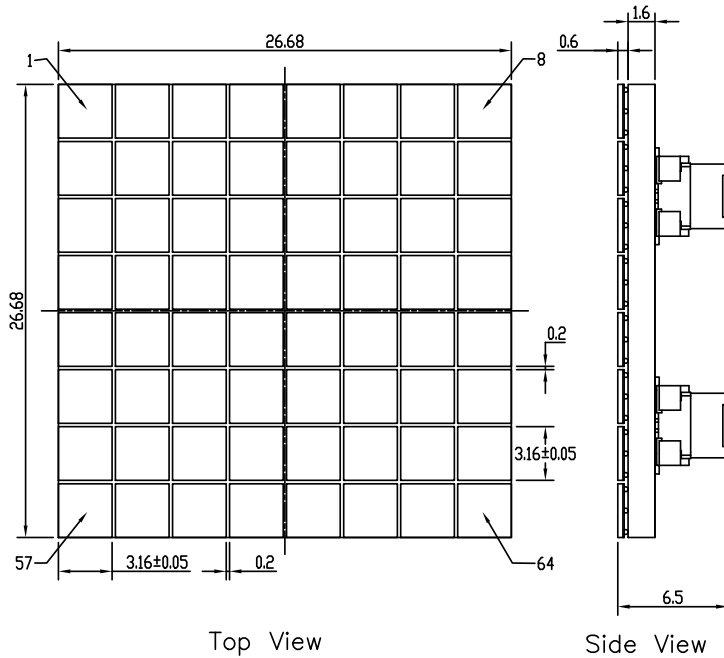
## PACKAGE DIMENSIONS

ON Semiconductor®



### ARRAYJ-300XX-64P-PCB CASE 100DK ISSUE 0

DATE 31 JUL 2018



All Dimensions ± 0.1mm Unless Otherwise Stated

Pin Configuration							
J1				J2			
Pin #	Signal	Pin #	Signal	Pin #	Signal	Pin #	Signal
1	S9	41	COM	1	S41	41	COM
2	S1	42	F24	2	S33	42	F56
3	F9	43	F32	3	F41	43	F64
4	F1	44	S24	4	F33	44	S56
5	COM	45	S32	5	COM	45	S64
6	S10	46	COM	6	S42	46	COM
7	S2	47	F23	7	S34	47	F55
8	F10	48	F31	8	F42	48	F63
9	F2	49	S23	9	F34	49	S55
10	COM	50	S31	10	COM	50	S63
11	S11	51	COM	11	S43	51	COM
12	S3	52	F22	12	S35	52	F54
13	F11	53	F30	13	F43	53	F62
14	F3	54	S22	14	F35	54	S54
15	COM	55	S30	15	COM	55	S62
16	S12	56	COM	16	S44	56	COM
17	S4	57	F21	17	S36	57	F53
18	F12	58	F29	18	F44	58	F61
19	F4	59	S21	19	F36	59	S53
20	COM	60	S29	20	COM	60	S61
21	S13	61	COM	21	S45	61	COM
22	S5	62	F20	22	S37	62	F52
23	F13	63	F28	23	F45	63	F60
24	F5	64	S20	24	F37	64	S52
25	COM	65	S28	25	COM	65	S60
26	S14	66	COM	26	S46	66	COM
27	S6	67	F19	27	S38	67	F51
28	F14	68	F27	28	F46	68	F59
29	F6	69	S19	29	F38	69	S51
30	COM	70	S27	30	COM	70	S59
31	S15	71	COM	31	S47	71	COM
32	S7	72	F18	32	S39	72	F50
33	F15	73	F26	33	F47	73	F58
34	F7	74	S18	34	F39	74	S50
35	COM	75	S26	35	COM	75	S58
36	S16	76	COM	36	S48	76	COM
37	S8	77	F17	37	S40	77	F49
38	F16	78	F25	38	F48	78	F57
39	F8	79	S17	39	F40	79	S49
40	COM	80	S25	40	COM	80	S57

Signal Description	
Sn	SiPM n Standard Output/Anode
Fn	SiPM n Fast Output
COM	Common Cathode

<b>DOCUMENT NUMBER:</b>	<b>98AON95342G</b>	Electronic versions are uncontrolled except when accessed directly from the Document Repository. Printed versions are uncontrolled except when stamped "CONTROLLED COPY" in red.
<b>DESCRIPTION:</b>	<b>ARRAYJ-300XX-64P-PCB</b>	<b>PAGE 1 OF 1</b>

ON Semiconductor and are trademarks of Semiconductor Components Industries, LLC dba ON Semiconductor or its subsidiaries in the United States and/or other countries. ON Semiconductor reserves the right to make changes without further notice to any products herein. ON Semiconductor makes no warranty, representation or guarantee regarding the suitability of its products for any particular purpose, nor does ON Semiconductor assume any liability arising out of the application or use of any product or circuit, and specifically disclaims any and all liability, including without limitation special, consequential or incidental damages. ON Semiconductor does not convey any license under its patent rights nor the rights of others.