

MECHANICAL CASE OUTLINE

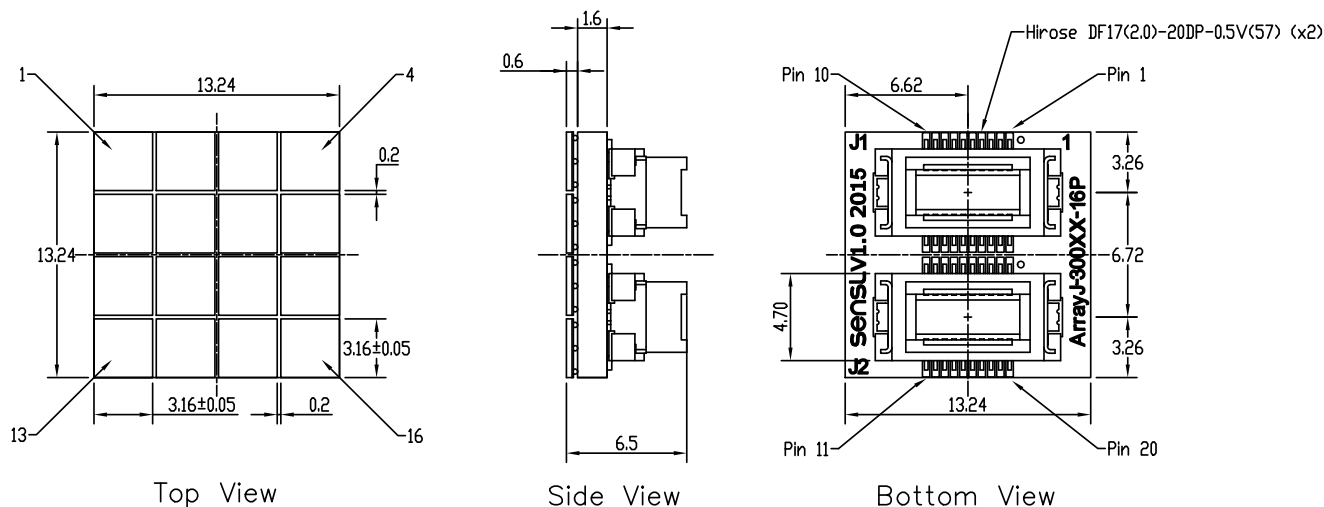
PACKAGE DIMENSIONS

ON Semiconductor®



ARRAYJ-300XX-16P-PCB CASE 100DJ ISSUE O

DATE 31 JUL 2018



ArrayJ-30035-16P-PCB Pin Configuration			
J1		J2	
Pin #	Signal	Pin #	Signal
1	S2	1	S9
2	F1	2	F9
3	S1	3	S10
4	F2	4	F10
5	S3	5	S11
6	F3	6	F11
7	COM	7	COM
8	COM	8	COM
9	F4	9	S12
10	S4	10	F12
11	F8	11	F16
12	S8	12	S16
13	COM	13	COM
14	COM	14	COM
15	F7	15	F15
16	S7	16	S15
17	F6	17	F14
18	S6	18	S14
19	S5	19	S13
20	F5	20	F13

Signal Description	
Sn	SiPM n Standard Output/Anode
Fn	SiPM n Fast Output
COM	Common Cathode

DOCUMENT NUMBER:	98AON95341G	Electronic versions are uncontrolled except when accessed directly from the Document Repository. Printed versions are uncontrolled except when stamped "CONTROLLED COPY" in red.
DESCRIPTION:	ARRAYJ-300XX-16P-PCB	PAGE 1 OF 1

ON Semiconductor and are trademarks of Semiconductor Components Industries, LLC dba ON Semiconductor or its subsidiaries in the United States and/or other countries. ON Semiconductor reserves the right to make changes without further notice to any products herein. ON Semiconductor makes no warranty, representation or guarantee regarding the suitability of its products for any particular purpose, nor does ON Semiconductor assume any liability arising out of the application or use of any product or circuit, and specifically disclaims any and all liability, including without limitation special, consequential or incidental damages. ON Semiconductor does not convey any license under its patent rights nor the rights of others.