

OBC LLC switch board		Assembly variant:	State:
Top level diagram		standard_board	released
Revision: 0.2	Repository revision: 1409		ON Semiconductor Solution Engineering Center Piešťany
Engineer: Stefan Kosterec	25.Sep 2018 20:18		
File: OBC_LLC_switch_board.SchDoc	1/10		

A

B

C

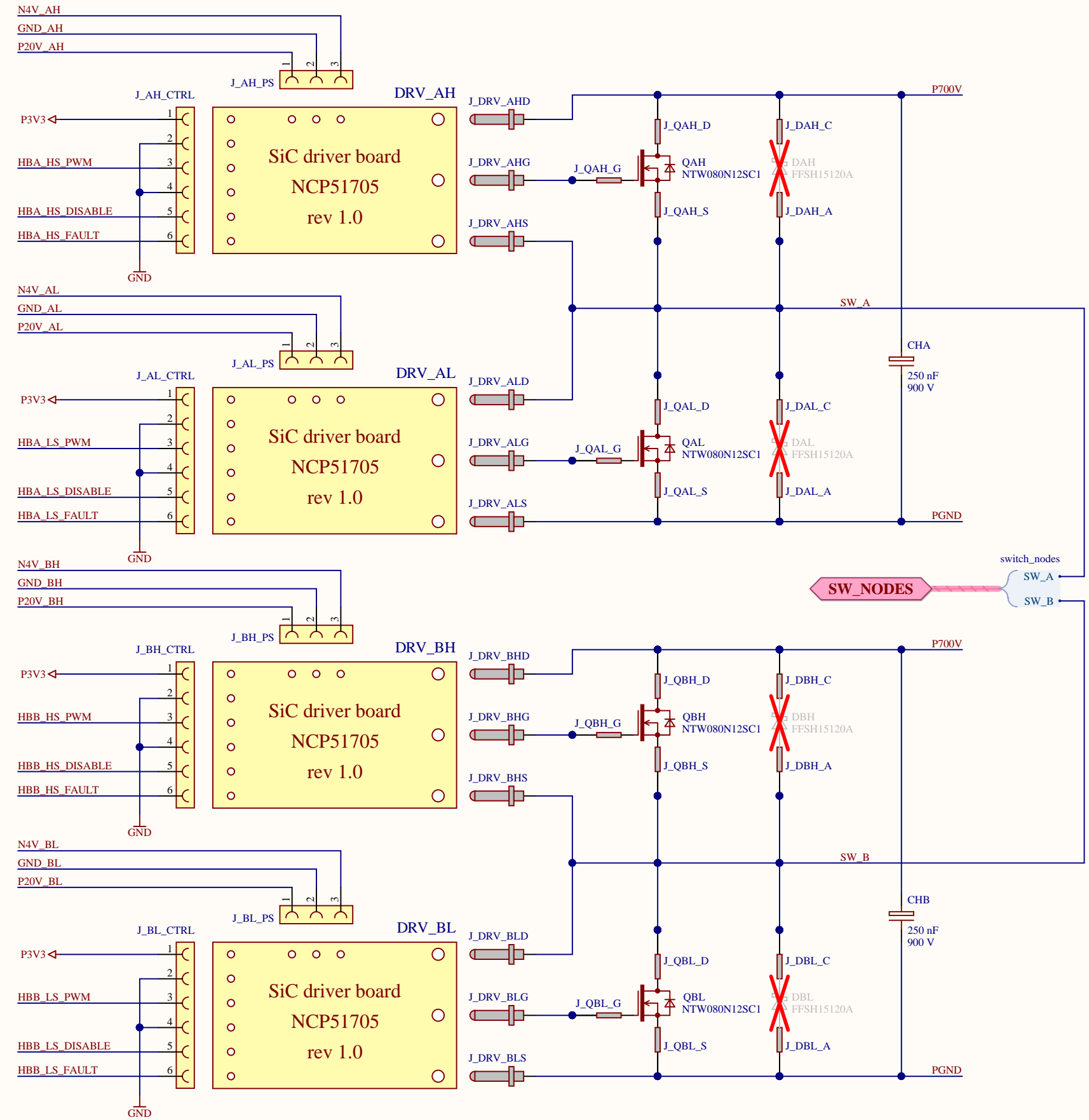
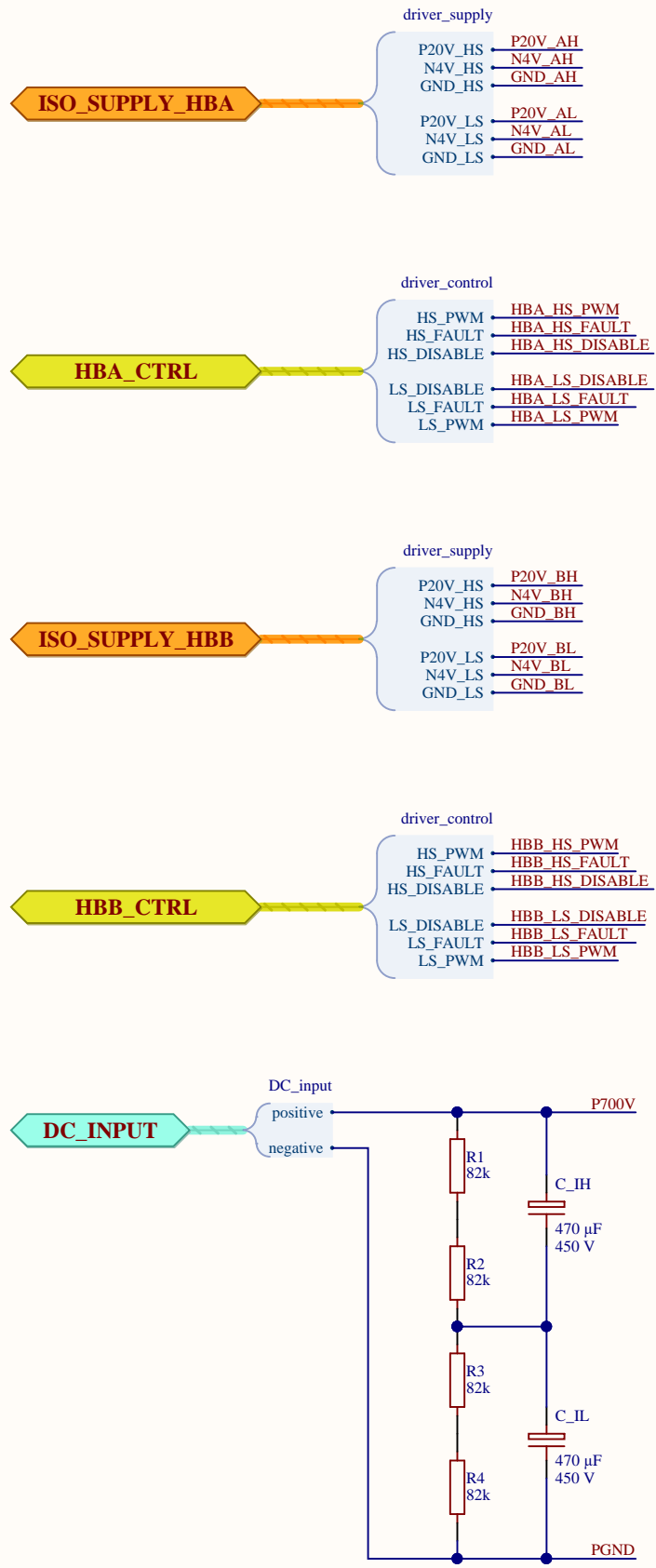
D

A

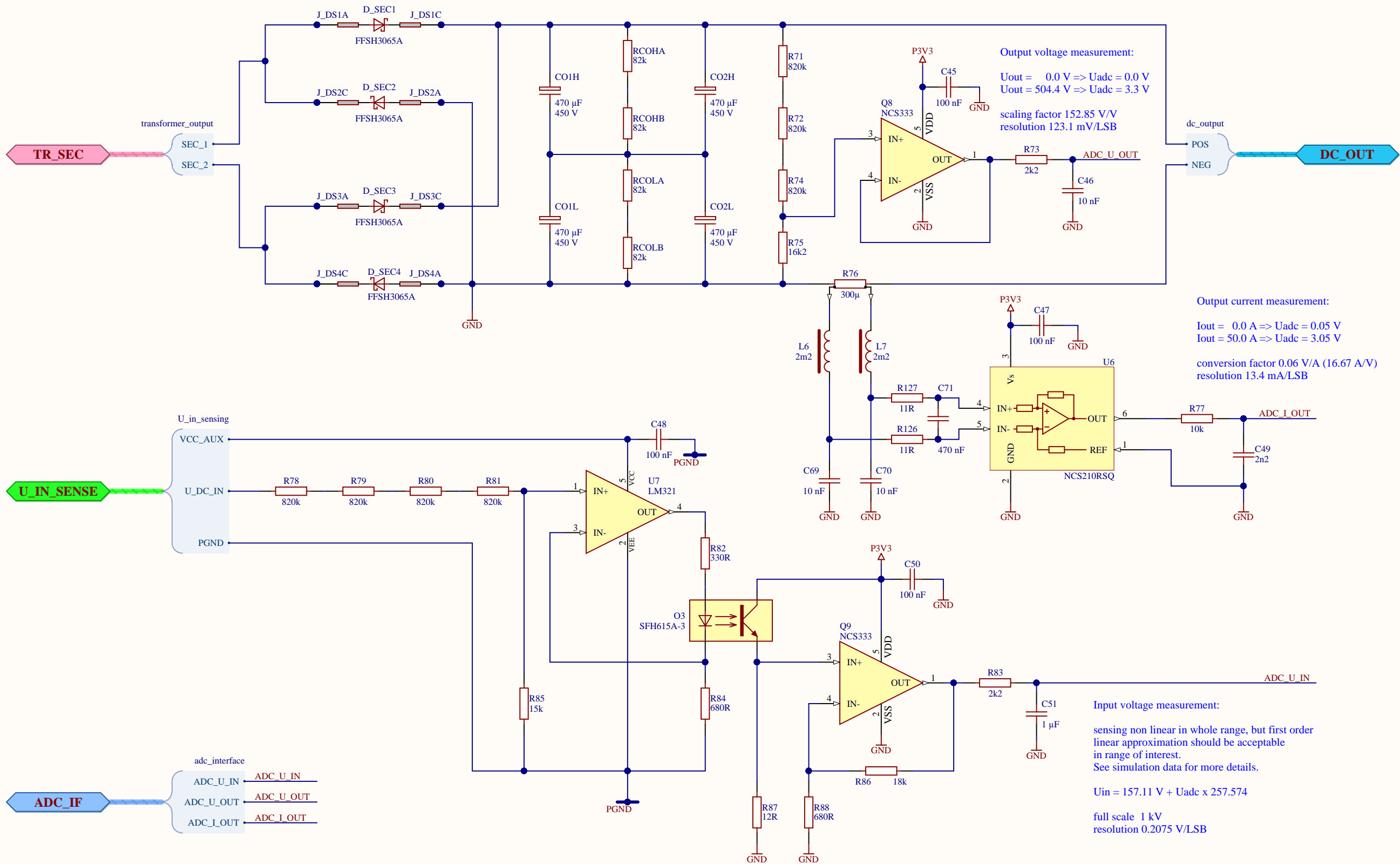
B

C

D



OBC LLC switch board		Assembly variant:	State:
Power stage		standard_board	released
Revision: 0.2	Repository revision: 1409		ON Semiconductor Solution Engineering Center Piestany
Engineer: Stefan Kosterec	13.Sep 2018 15:56		
File: power_stage.SchDoc	2/10		



OBC LLC switch board

Rectifier

Revision: 0.2 Repository revision: 1409

Engineer: Stefan Kosterec

01.Mar 2019 09:36

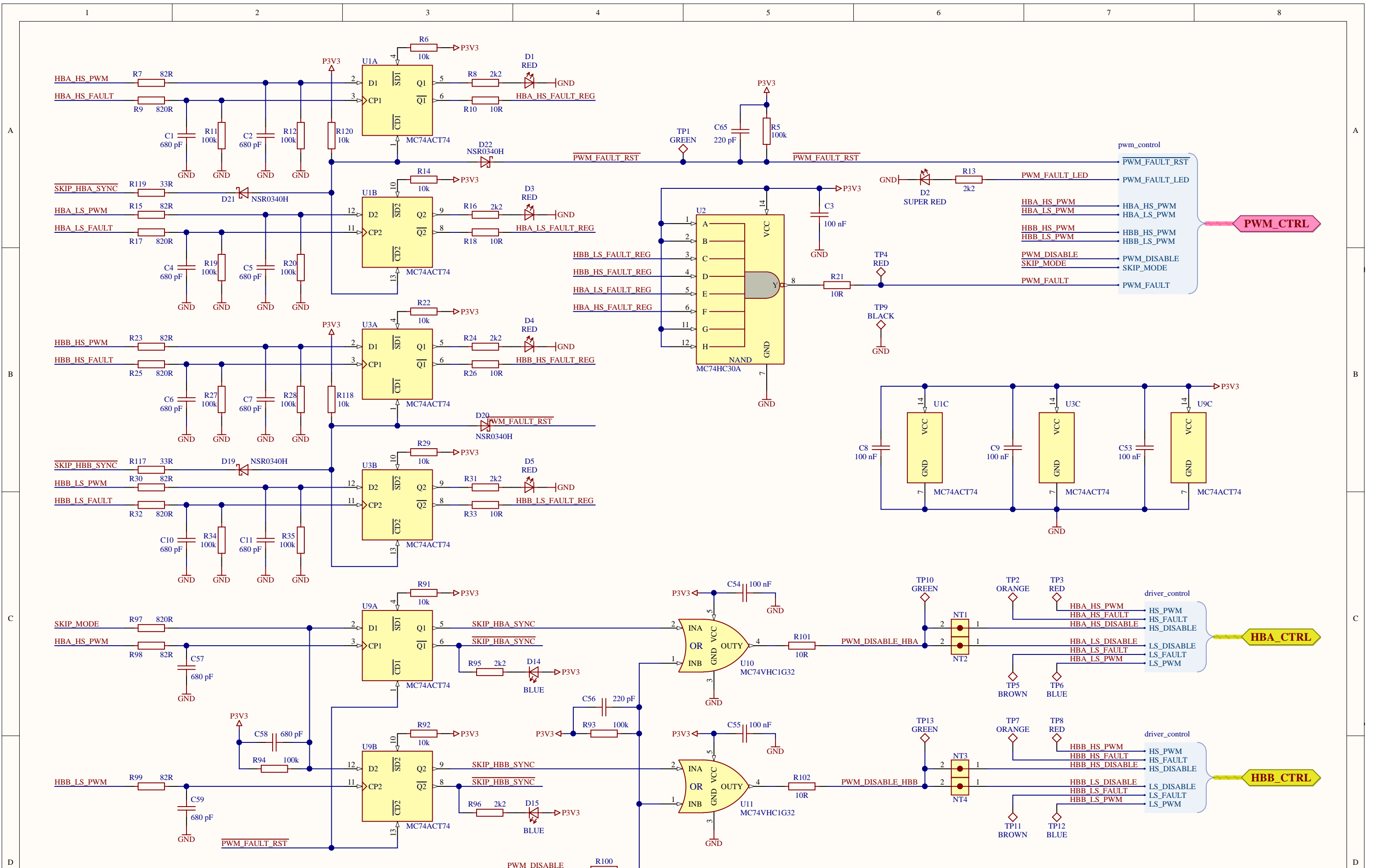
File: rectifier.SchDoc

Assembly variant:
standard_board

State:
released

ON Semiconductor
Solution Engineering Center
Piestany





OBC LLC switch board		Assembly variant:	State:
<i>Drivers interconnection, fault protection logic</i>		<i>standard_board</i>	<i>released</i>
Revision: 0.2	Repository revision: 1409	ON Semiconductor Solution Engineering Center Piešťany	
Engineer: Stefan Kosterec	25. Feb 2019 13:36		
File: drivers_interconnection.SchDoc	4/10		



A

B

C

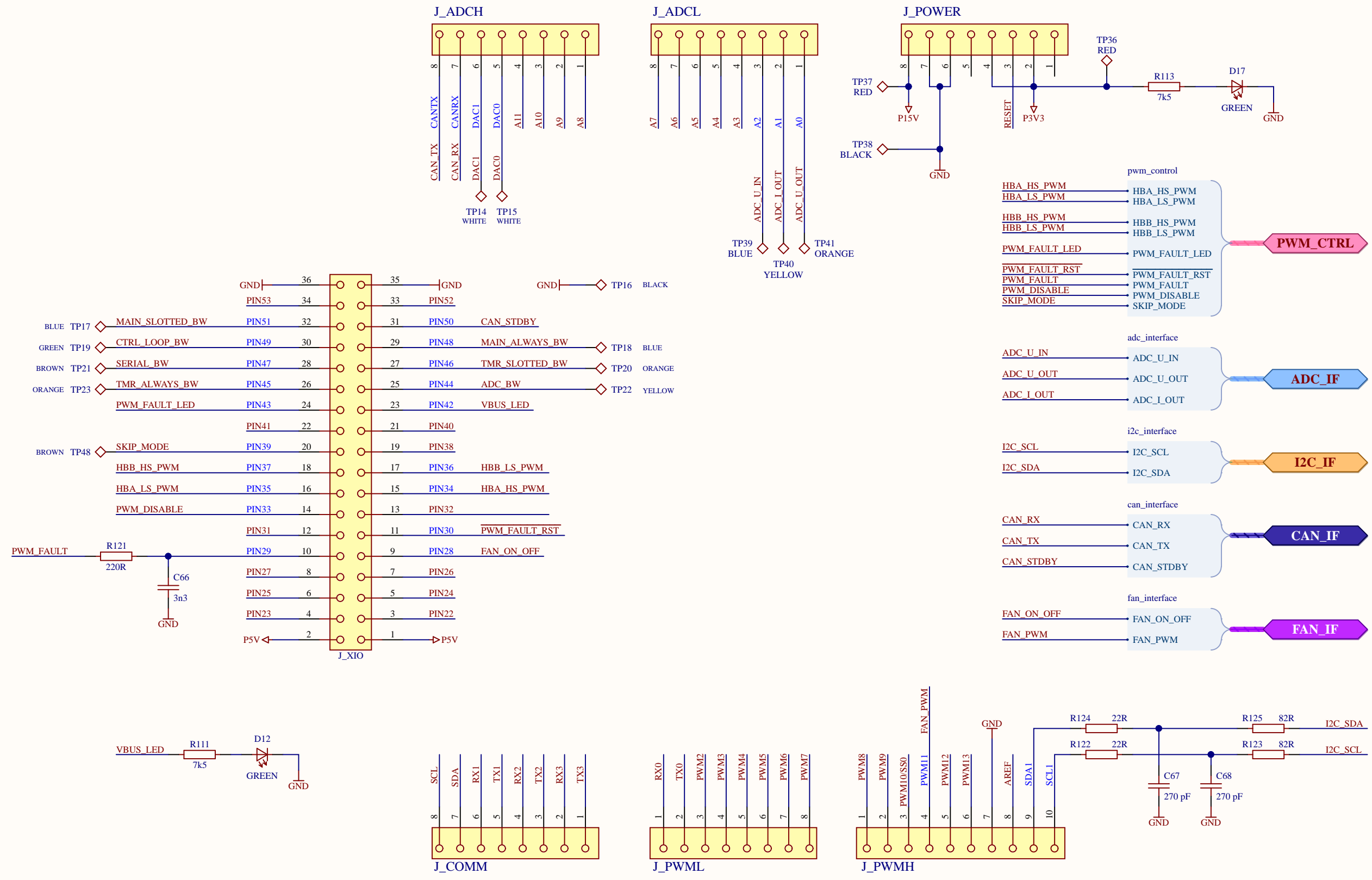
D

A

B

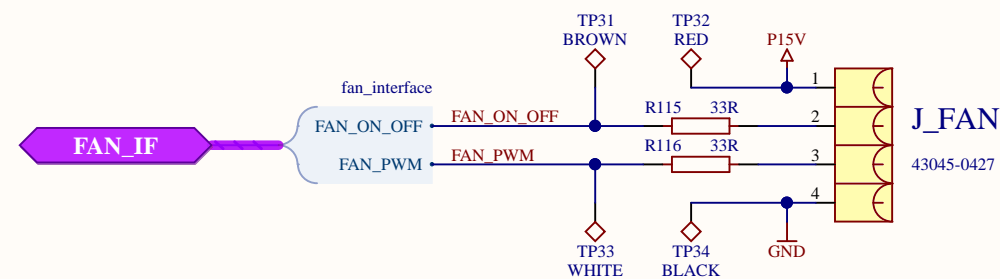
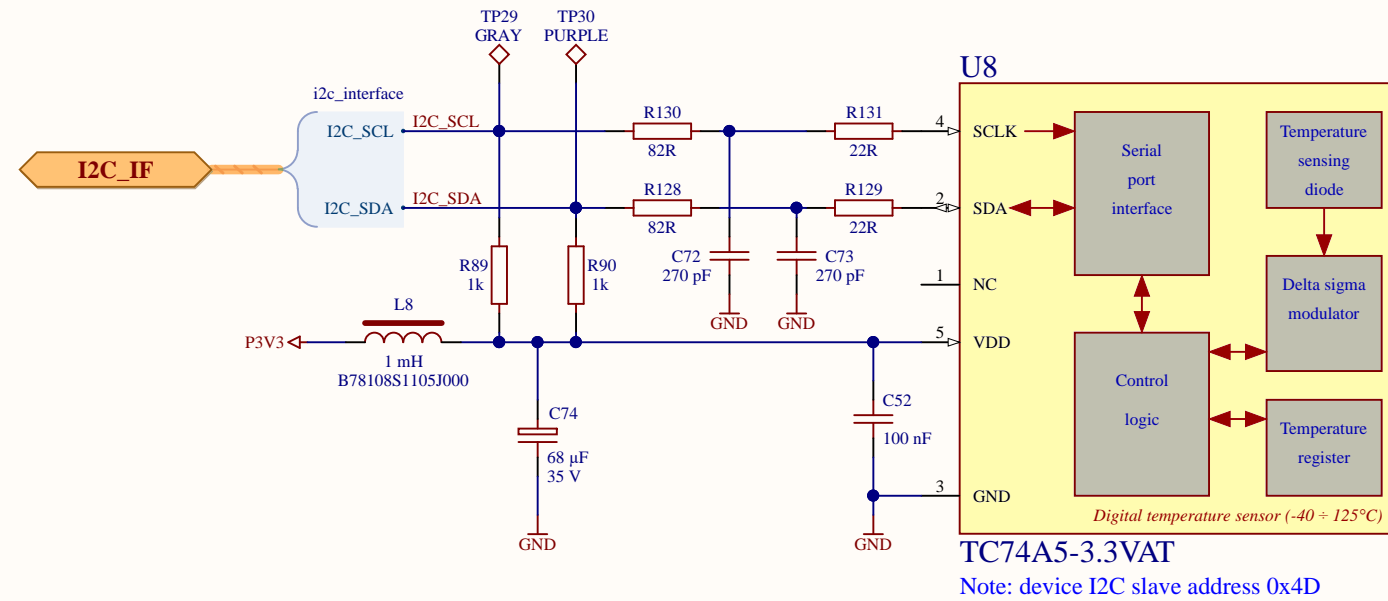
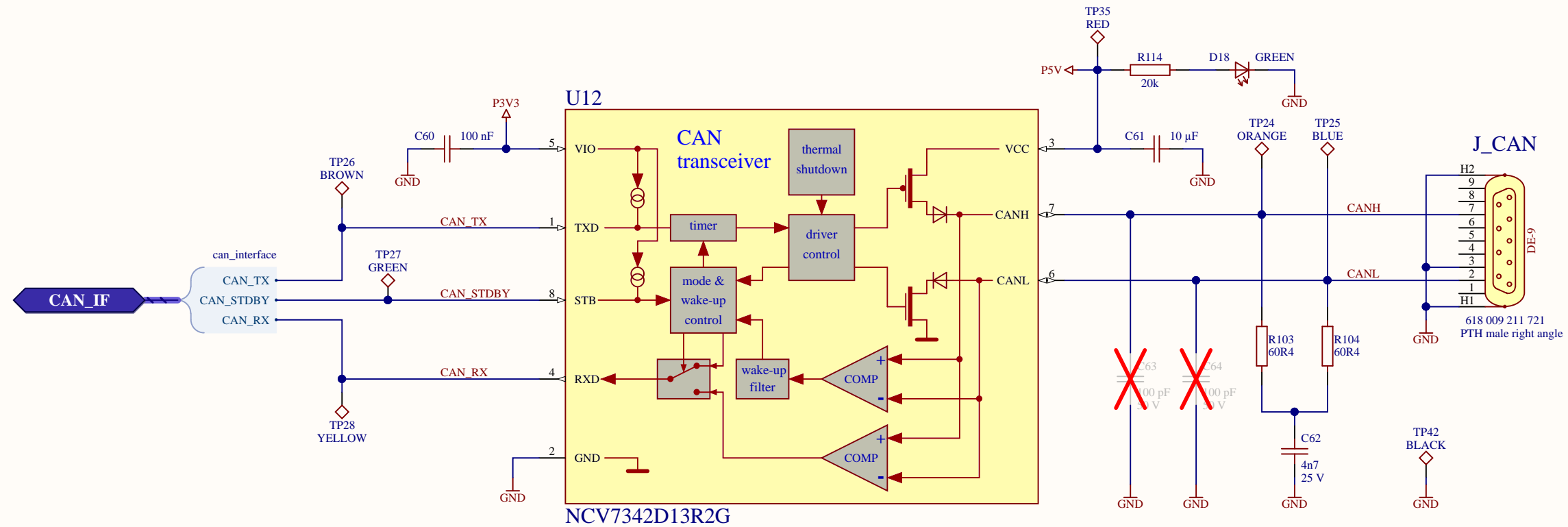
C

D



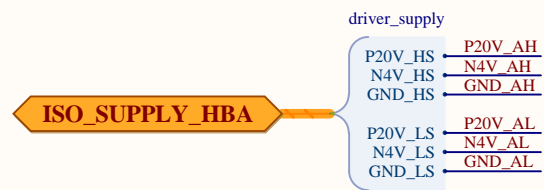
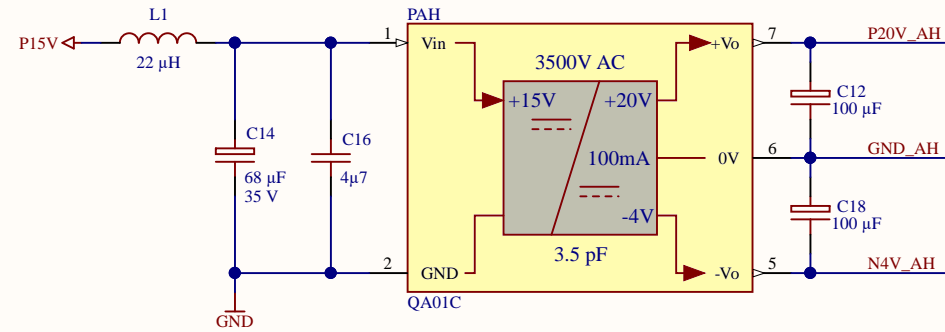
Note: Blue labels show original Arduino Due signal names.

OBC LLC switch board		Assembly variant:	State:
Controller interface		standard_board	released
Revision: 0.2	Repository revision: 1409	ON Semiconductor Solution Engineering Center Piestany	
Engineer: Stefan Kosterec	25.Feb 2019 15:07		
File: controller_interface.SchDoc	5/10		

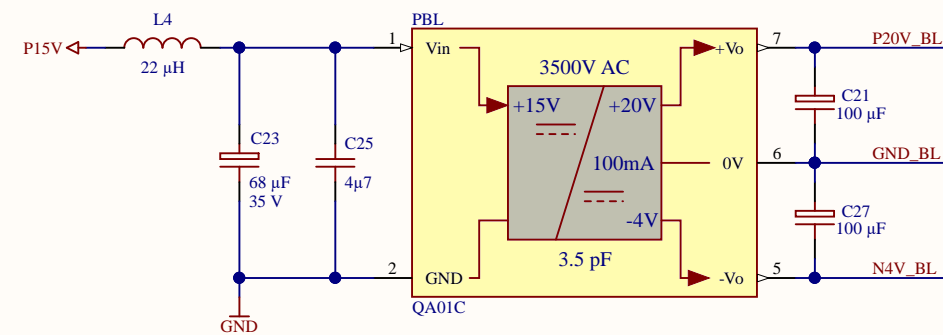
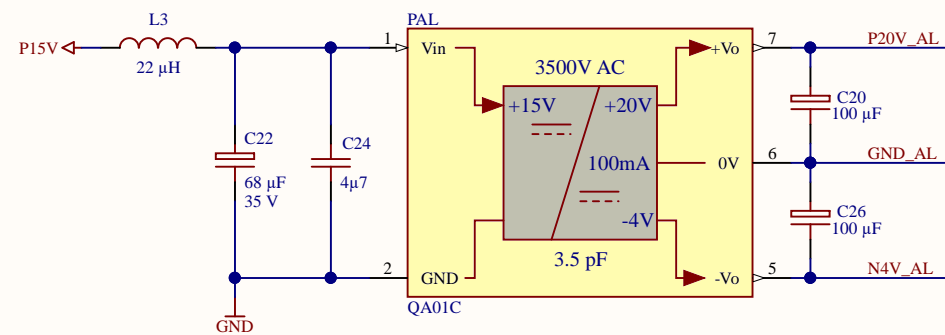
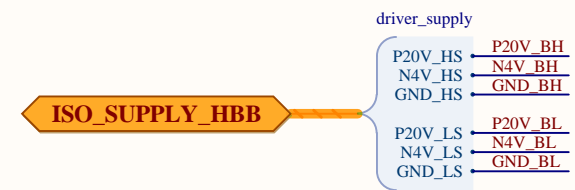
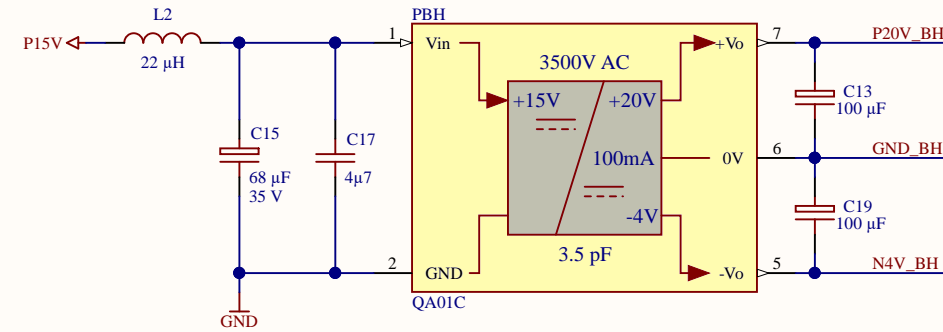


OBC LLC switch board		Assembly variant:	State:
<i>Temperature sensing and CAN bus interface</i>		<i>standard_board</i>	<i>released</i>
Revision: 0.2	Repository revision: 1409	ON Semiconductor Solution Engineering Center Piešťany	
Engineer: Stefan Kosterec	01.Mar 2019 09:21		
File: can_and_temperature.SchDoc	6/10		

supply for
halfbridge A
drivers



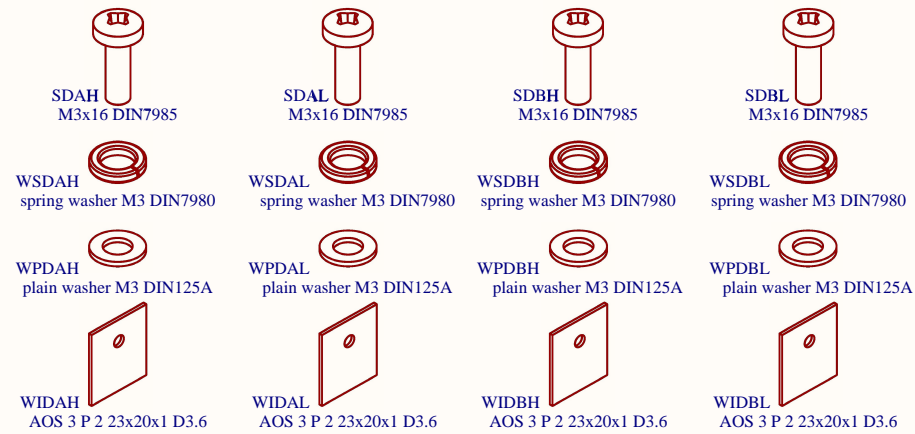
supply for
halfbridge B
drivers



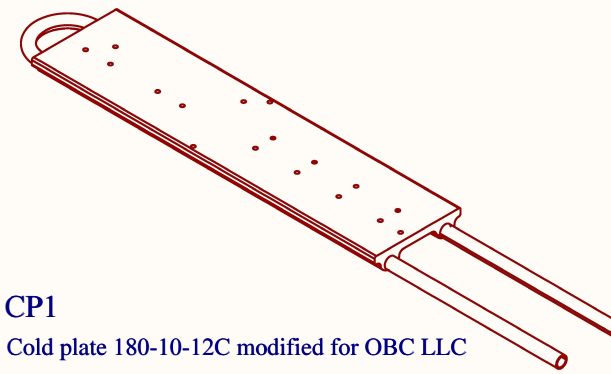
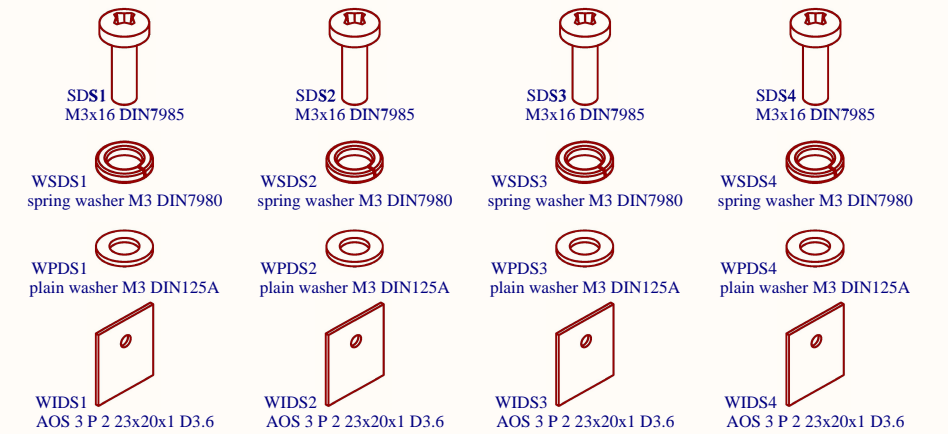
OBC LLC switch board		Assembly variant:	State:
Insulated DC-DC converters for MOSFET drivers		standard_board	released
Revision: 0.2	Repository revision: 1409	ON Semiconductor Solution Engineering Center Piešťany	
Engineer: Stefan Kosterec	12.Sep 2018 11:26		
File: power_supply_drivers.SchDoc	7/10		



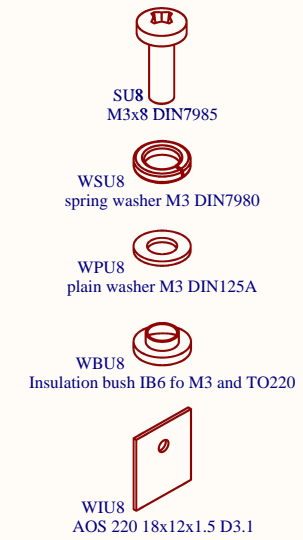
Primary side SiC diodes fixing set



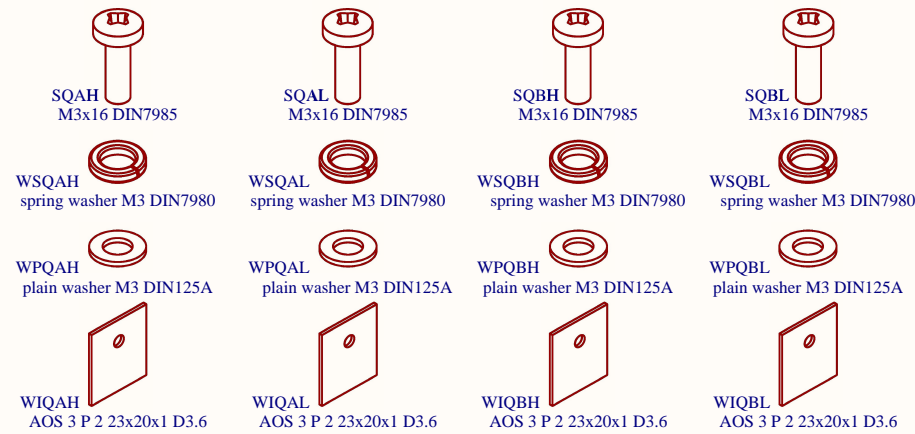
Rectifier diodes fixing set



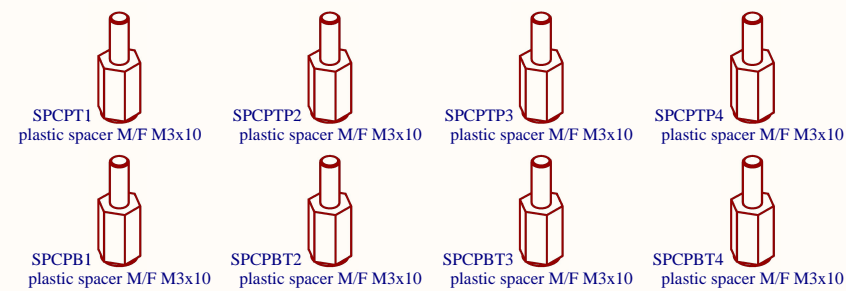
Temperature sensor fixing set



Primary side SiC MOSFETs fixing set

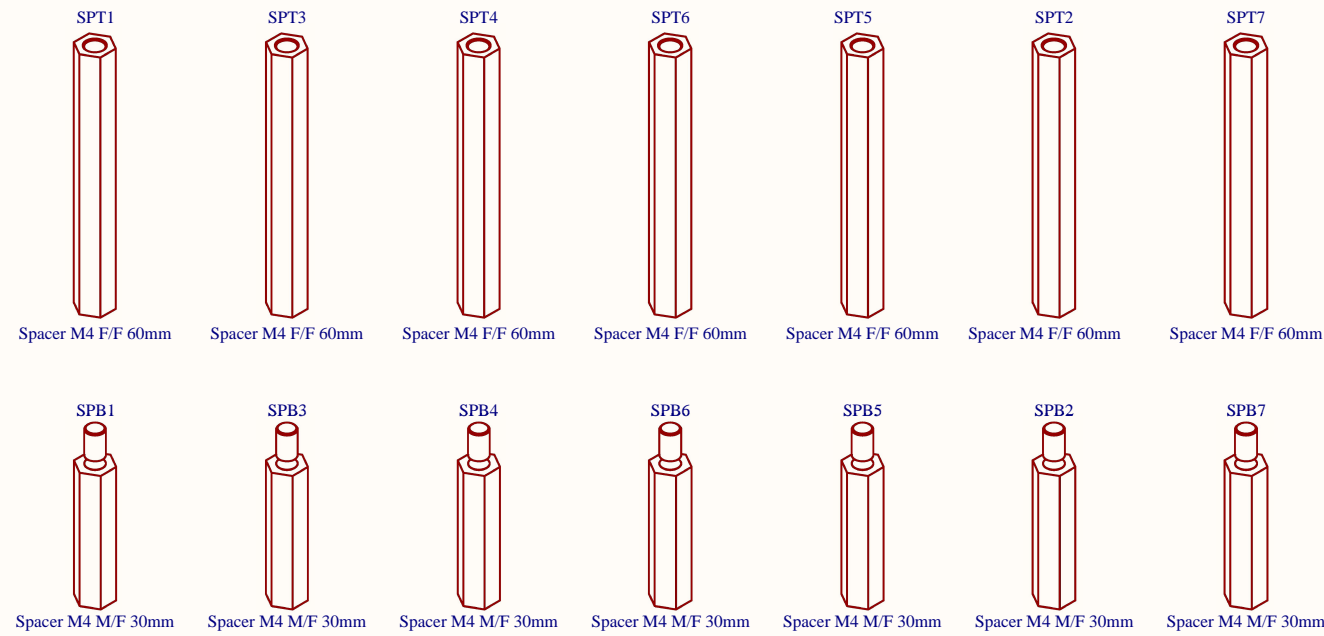


Cold plate to PCB fixing set



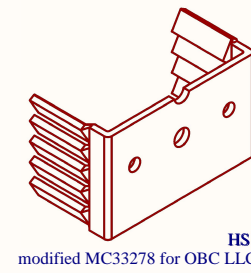
OBC LLC switch board		Assembly variant:	State:
Cold plate related mechanical parts		standard_board	released
Revision: 0.2	Repository revision: 1409	ON Semiconductor	
Engineer: Stefan Kosterec	06.Mar 2019 20:15	Solution Engineering Center	
File: cold_plate_mechanical_parts.SchDoc	9/10	Piešťany	

Board support set

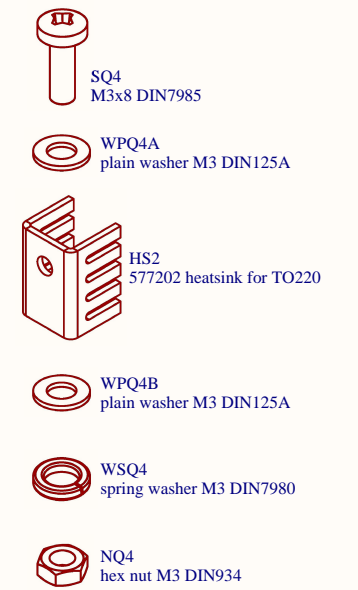


DC-DC converter 700 V / 15 V

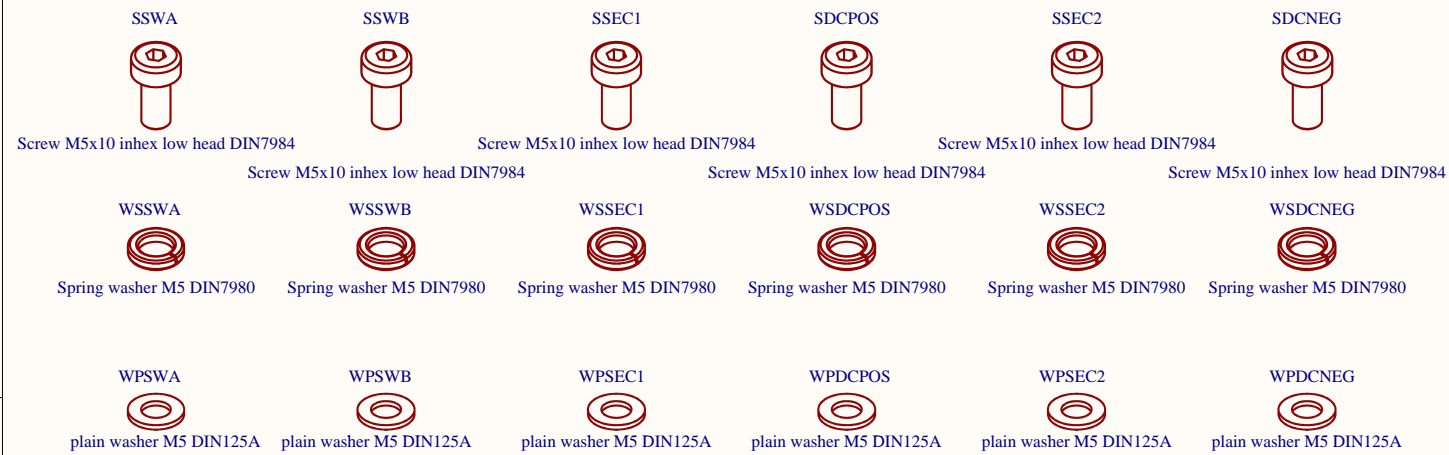
primary side heatsink



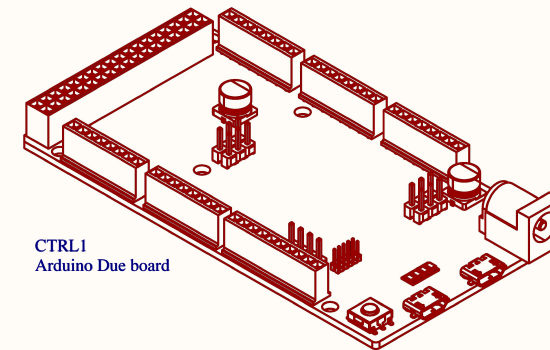
rectifier heatsink



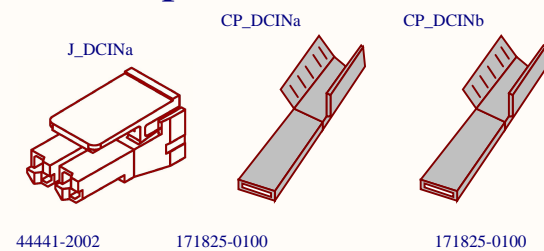
High current terminals accessories



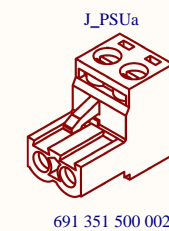
Controller board



DC input connector set



DC15V I/O connector



OBC LLC switch board		Assembly variant:	State:
<i>Mechanical and enclosed parts</i>		<i>standard_board</i>	<i>released</i>
Revision: 0.2	Repository revision: 1409		ON Semiconductor Solution Engineering Center Piešťany
Engineer: Stefan Kosterec	06.Mar 2019 20:21		
File: board_mechanical_parts.SchDoc	10/10		

