

低功耗接地故障中断器

RV4145A

说明

RV4145A 是交流电源插座接地故障中断器的低功耗控制器。在发生有害或致命冲击前，这些器件检测是否有危险的接地情况，比如设备 (与 AC 线路反相连接) 与水以及与裸露电线接触。

内含一个 26 V 齐纳并联稳压器、一个运算放大器和一个 SCR 驱动器。RV4145A 新增了两个感测变压器、一个整流桥、一个 SCR、一个继电器和一些附加元件，可检测接地的火线和中性线，防止发生接地故障。简单布局 and 传统设计确保了应用简便和长期可靠。

特性

- 无需任何电位计
- 直接连接至 SCR
- 源自 AC 线路的电源电压 - 26 V 稳压器
- 可调敏感度
- 中性接地故障检测
- 符合 U.L. 943 标准
- 450 μ A 静态电流
- 非常适合 120 V 或 220 V 系统
- These are Pb-Free Devices

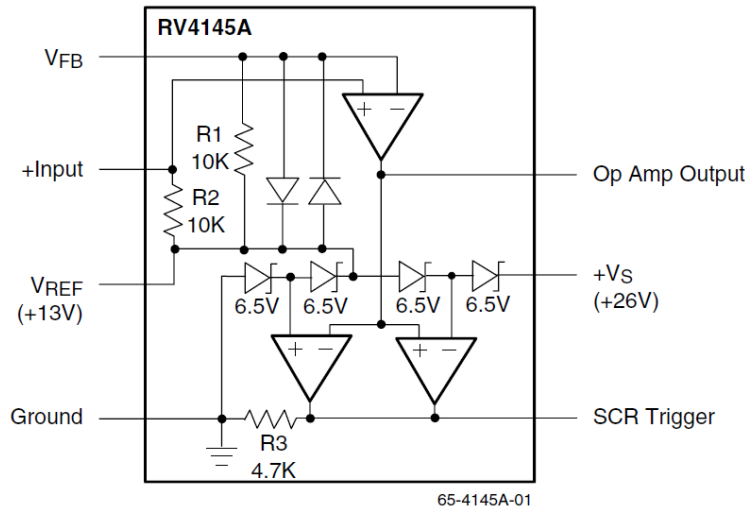


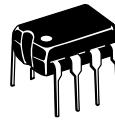
图 1. 框图



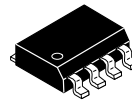
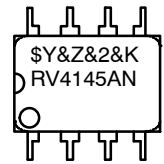
ON Semiconductor®

www.onsemi.cn

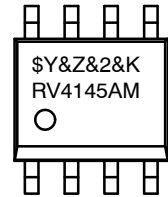
MARKING DIAGRAM



PDIP-8
CASE 626-05



SOIC8
CASE 751EB



RV4145AN, = Specific Device Code
RV4145AM
\$Y = ON Semiconductor Logo
&Z = Assembly Plant Code
&2 = 2-Digit Date Code
&K = 2-Digits Lot Run Traceability Code

ORDERING INFORMATION

See detailed ordering and shipping information on page 7 of this data sheet.

RV4145A

引脚配置

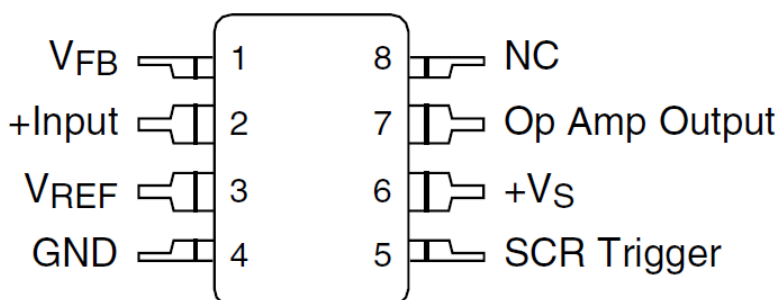


图 2. 引脚分配

引脚描述

引脚编号	名称	说明
1	V _{FB}	感测放大器反向输入
2	+输入	感测放大器正输入
3	V _{REF}	参考电压
4	GND	接地
5	SCR 触发	检测到故障时触发外部 SCR 的输出
6	+V _S	RV4145A 电路的电源输入
7	运算放大器输出	感测放大器输出
8	NC	未连接

绝对最大额定值

符号	参数		最小值	典型值	最大值	单位	
V _{CC}	电源电流		-	-	18	mA	
P _D	内部功耗		-	-	500	mW	
T _{STG}	存储温度范围		-65	-	+150	°C	
T _A	工作温度范围		-35	-	+85	°C	
T _J	结温		-	-	125	°C	
T _L	引脚焊接温度		60 s, DIP	-	-	300	°C
			10 s, SOIC	-	-	260	
P _D	功耗	T _A < 50°C	SOIC	-	-	300	mW
			PDIP	-	-	450	
		T _A < 50°C 降额	SOIC	-	4	-	mW/°C
			PDIP	-	6	-	
Θ _{JA}	热阻		SOIC	-	240	-	°C/W
			PDIP	-	160	-	

Stresses exceeding those listed in the Maximum Ratings table may damage the device. If any of these limits are exceeded, device functionality should not be assumed, damage may occur and reliability may be affected.

(参考译文)

如果电压超过最大额定值表中列出的值范围，器件可能会损坏。如果超过任何这些限值，将无法保证器件功能，可能会导致器件损坏，影响可靠性。

RV4145A

电气特 ($I_S = 1.5 \text{ mA}$ 且 $T_A = +25^\circ\text{C}$)

符号	参数	工作条件	最小值	典型值	最大值	单位
	检测器参考电压	引脚 7 至引脚 3	6.8	7.2	8.1	$\pm\text{V}$

并联稳压器

$+V_S$	齐纳电压	引脚 6 至引脚 4	25.0	26.0	29.2	V
V_{REF}	参考电压	引脚 3 至引脚 4	12.5	13.0	14.6	V
I_S	静态电流	$+V_S = 24 \text{ V}$	-	450	750	μA

运算放大器

	失调电压	引脚 2 至引脚 3	-3.0	0.5	+3.0	mV
	+输出电压摆幅	引脚 7 至引脚 3	6.8	7.2	8.1	V
	-输出电压摆幅	引脚 7 至引脚 3	-9.5	-11.2	-13.5	V
	+输出源电流	引脚 7 至引脚 3	-	650	-	μA
	-输出源电流	引脚 7 至引脚 3	-	1.0	-	mA
	增益带宽积	$f = 50 \text{ kHz}$	1.0	1.8	-	MHz

电阻

R1	电阻, $I_S = 0 \text{ mA}$	引脚 1 至引脚 3	-	10	-	k Ω
R2		引脚 2 至引脚 3	-	10	-	
R3		引脚 5 至引脚 4	3.5	4.7	5.9	

SCR触发

	检测器开	引脚 5 至引脚 4	1.5	2.8	-	V
	检测器关		0	1	10	mV

Product parametric performance is indicated in the Electrical Characteristics for the listed test conditions, unless otherwise noted. Product performance may not be indicated by the Electrical Characteristics if operated under different conditions.

(参考译文)

除非另有说明,“电气特性”表格中列出的是所列测试条件下的产品性能参数。如果在不同条件下运行,产品性能可能与“电气特性”表格中所列性能参数不一致。

电气特 ($I_S = 1.5 \text{ mA}$ 且 $-35^\circ\text{C} \leq T_A \leq +85^\circ\text{C}$)

符号	参数	工作条件	最小值	典型值	最大值	单位
	检测器参考电压	引脚 7 至引脚 3	6.5	7.2	8.3	$\pm\text{V}$

并联稳压器

$+V_S$	齐纳电压	引脚 6 至引脚 4	24	26	30	V
V_{REF}	参考电压	引脚 3 至引脚 4	12	13	15	V
I_S	静态电流	$+V_S = 24 \text{ V}$	-	500	-	μA

运算放大器

	失调电压	引脚 2 至引脚 3	-5.0	0.5	+5.0	mV
	+输出电压摆幅	引脚 7 至引脚 3	6.5	7.2	8.3	V
	-输出电压摆幅	引脚 7 至引脚 3	-9.0	-11.2	-14.0	V
	增益带宽积	$f = 50 \text{ kHz}$	-	1.8	-	MHz

电阻

R1	电阻, $I_S = 0 \text{ mA}$	引脚 1 至引脚 3	-	10	-	k Ω
R2		引脚 2 至引脚 3	-	10	-	
R3		引脚 5 至引脚 4	3.5	4.7	5.9	

电气特 ($I_S = 1.5 \text{ mA}$ 且 $-35^\circ\text{C} \leq T_A \leq +85^\circ\text{C}$)

符号	参数	工作条件	最小值	典型值	最大值	单位
SCR触发						
	检测器开	引脚 5 至引脚 4	1.3	2.8	-	V
	检测器关		0	3	50	mV

Product parametric performance is indicated in the Electrical Characteristics for the listed test conditions, unless otherwise noted. Product performance may not be indicated by the Electrical Characteristics if operated under different conditions.

(参考译文)

除非另有说明,“电气特性”表格中列出的是所列测试条件下的产品性能参数。如果在不同条件下运行,产品性能可能与“电气特性”表格中所列性能参数不一致。

工作原理

将串联齐纳二极管产生的 26 V 并联稳压器电压分为三个参考电压: $\frac{1}{4} V_S$ 、 $\frac{1}{2} V_S$ 和 $\frac{1}{4} V_S$ 。V_{REF} 等于 $\frac{1}{2} V_S$, 用作参考以便建立运算放大器同相输入端的 +13 V 人为接地。

图 3 显示采用 RV4145A 的三线式 120 V 交流电源插座 GFI 应用。来自感测变压器的故障信号交流耦合至输入端, 并根据下式放大:

$$V_7 = R_{\text{SENSE}} \times I_{\text{SENSE}}/N \quad (\text{eq. 1})$$

其中, V₇ 是引脚 7 上相对于引脚 3 的 RMS 电压, R_{SENSE} 是连接引脚 7 和引脚 1 的反馈电阻值, I_{SENSE} 是故障电流 (仪表放大器) RMS, N 是变压器匝数比。

当 V₇ 相对于引脚 3 超过 $\pm 7.2 \text{ V}$ 时, SCR 触发输出变为高电平, 启动外部 SCR。

V₇ 等式取近似值, 因为它没有将感测变压器特性纳入计算。

当短路或故障使得感测变压器和中性接地变压器之间的磁路通道关闭时, 便完成了中性接地故障检测。其产生的交流耦合使围绕运算放大器的正反馈路径闭合, 并且运算放大器开始振荡。当振荡电压峰值超过 SCR 触发比较器阈值时, SCR 输出变为高电平。

并联稳压器

R_{LINE} 限制进入并联稳压器的电流; 在 220 V 应用中必须以 47 k 2 W 电阻代替。除了为 IC 提供电源, 并联稳压器还产生内部参考电压。

运算放大器

R_{SENSE} 表示反馈电阻, 可用来设置增益, 进而设置一般故障的灵敏度。如需调节 R_{SENSE}, 应施加所需的故障电流 (UL 943 标准中电流存在 5 mA 差异), 然后向上调节 R_{SENSE}, 直到激活 SCR。R_{SENSE} 可以采用

固定电阻, 因为 $\pm 15\%$ 的灵敏度变化符合 UL 943 4 - 6 mA 规范。

滚降频率高于中性接地故障振荡频率, 以便保持用于振荡的环路增益 (由 200:1 变压器电感和 C4 确定)。

通过改变振荡频率, 可调节中性接地故障灵敏度。降低正反馈电路的环路增益后, 增加频率会降低灵敏度。随着频率增加, 信号开始衰减, 环路增益下降。采用图 3 中的数值, 则利用 2 Ω 或数值更低的电阻可使电路检测中性接地。

利用背对背二极管, 可防止运算放大器输入遭受过压。

硅控整流器 (SCR) 驱动器

SCR 必须具有高 dV/dt 额定值, 才能确保线路噪声 (由会发出噪声的设备产生, 比如钻孔电机) 不会误触发 SCR。SCR 的栅极驱动要求必须小于 200 μA。C_F 是一个噪声滤波器电容, 可防止窄脉冲触发 SCR。

继电器电磁阀的响应时间应小于等于 3 ms, 以满足 UL 943 的时序要求。

感测变压器和磁芯

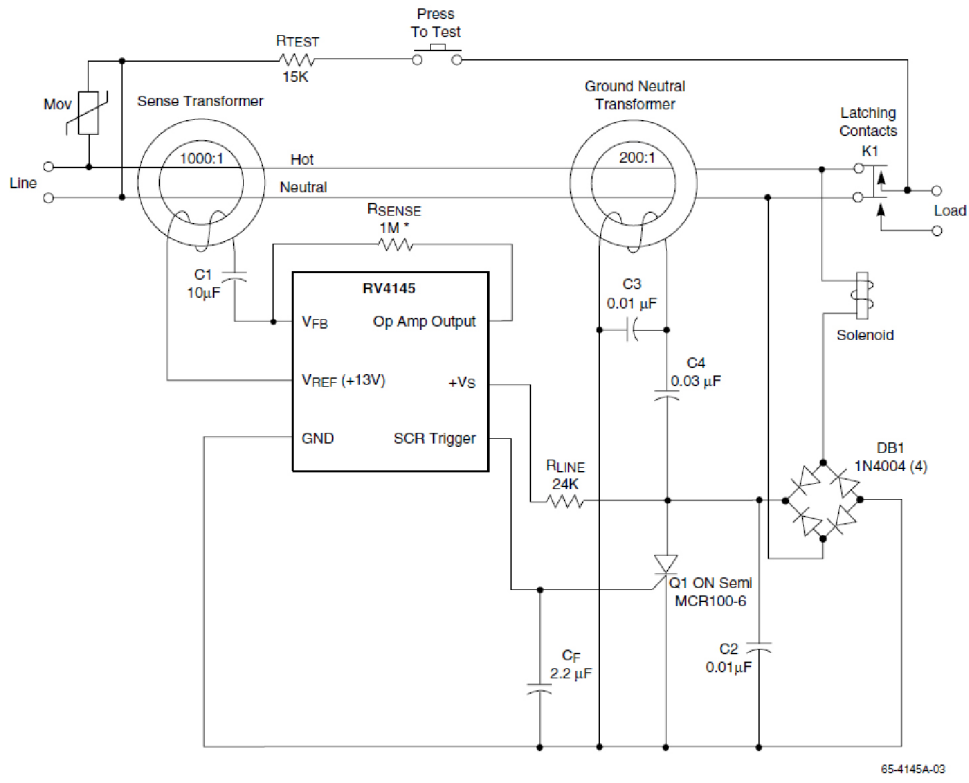
感测和中性接地变压器磁芯通常使用高磁导率的层叠钢环制造。它们的单匝主电流由通过其磁芯的线路和中性线产生。次级线圈通常是 200 到 1500 匝。

Magnetic Metals Corporation www.magmet.com 是全系列环形磁芯和变压器供应商, 产品专为 GFI 应用而设计。

双线式应用电路

图 4 显示采用 RV4145A 的双线式 120 V 交流电源插座 GFI 电路框图。该电路并非设计用来检测中性接地故障。由于这个原因, 图 3 的中性接地变压器、电容 C3 和 C4 未被使用。

RV4145A



* Value depends on transformer characteristics.

图 3. GFI 应用电路 (三线式插头)

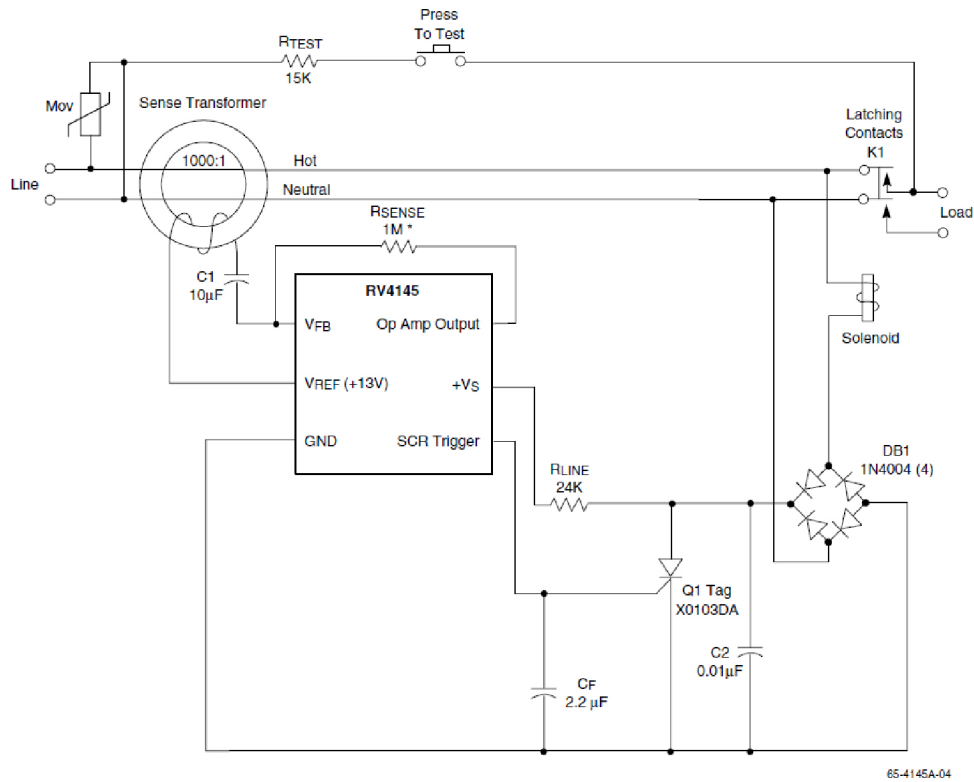
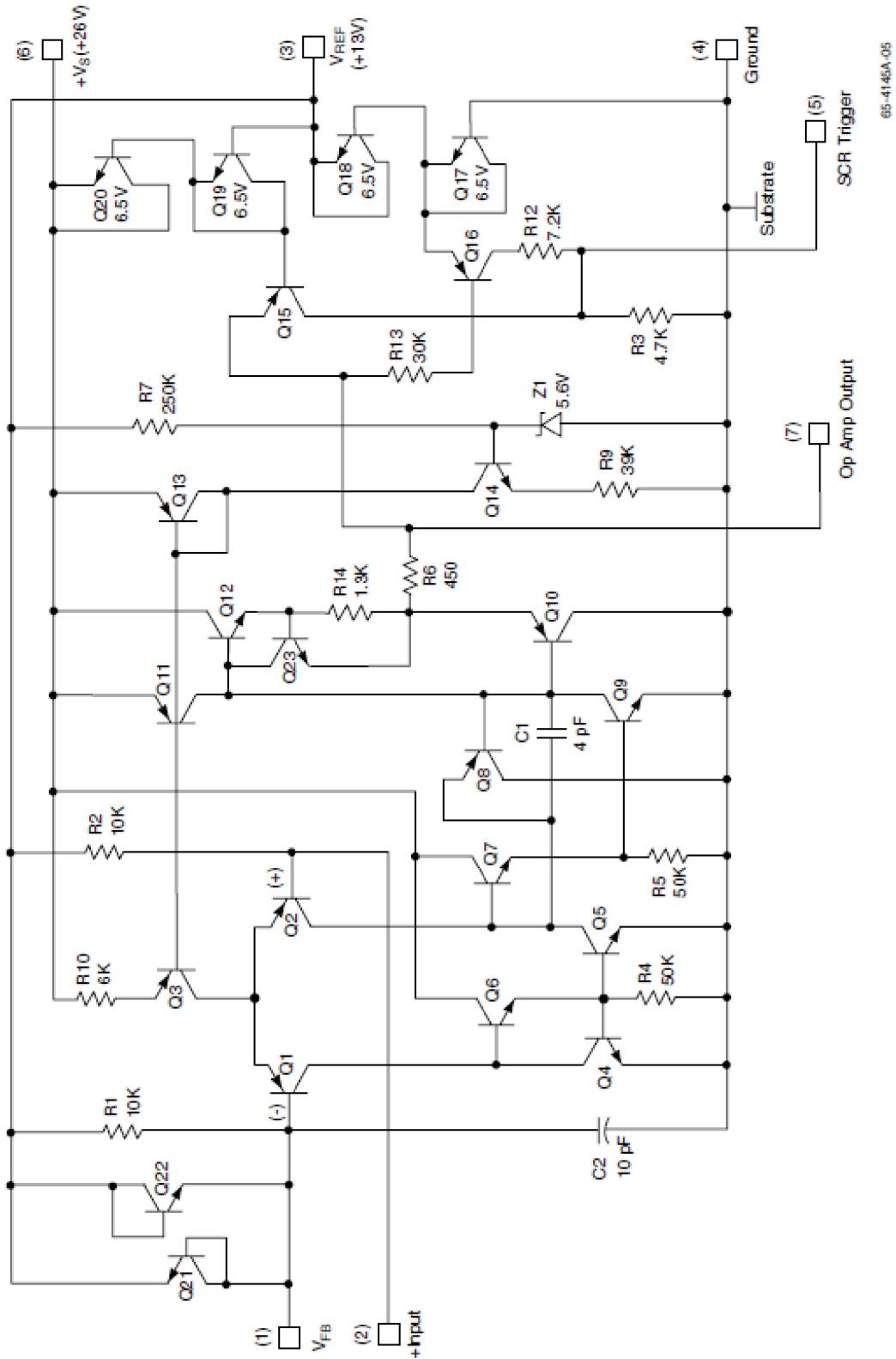


图 4. GFI 应用电路 (双线式插头)

RV4145A

原理示意图



6E-4145A_05

图 5. 原理图

RV4145A

订购信息

器件编号	工作温度范围	封装	包装方法 [†]
RV4145AN	-35°C to +85°C	8 引脚, MDIP, JEDEC MS-001, .300" 宽 (Pb-Free)	40 Units /Tube
RV4145AMT		8 引脚, SOIC, JEDEC MS-012, .150" 窄型 (Pb-Free)	2500 / 卷带

[†]For information on tape and reel specifications, including part orientation and tape sizes, please refer to our Tape and Reel Packaging Specifications Brochure, BRD8011/D.

MECHANICAL CASE OUTLINE PACKAGE DIMENSIONS

ON Semiconductor®



SCALE 1:1

PDIP-8
CASE 626-05
ISSUE P

DATE 22 APR 2015



NOTES:

1. DIMENSIONING AND TOLERANCING PER ASME Y14.5M, 1994.
2. CONTROLLING DIMENSION: INCHES.
3. DIMENSIONS A, A1 AND L ARE MEASURED WITH THE PACKAGE SEATED IN JEDEC SEATING PLANE GAUGE GS-3.
4. DIMENSIONS D, D1 AND E1 DO NOT INCLUDE MOLD FLASH OR PROTRUSIONS. MOLD FLASH OR PROTRUSIONS ARE NOT TO EXCEED 0.10 INCH.
5. DIMENSION E IS MEASURED AT A POINT 0.015 BELOW DATUM PLANE H WITH THE LEADS CONSTRAINED PERPENDICULAR TO DATUM C.
6. DIMENSION eB IS MEASURED AT THE LEAD TIPS WITH THE LEADS UNCONSTRAINED.
7. DATUM PLANE H IS COINCIDENT WITH THE BOTTOM OF THE LEADS, WHERE THE LEADS EXIT THE BODY.
8. PACKAGE CONTOUR IS OPTIONAL (ROUNDED OR SQUARE CORNERS).

DIM	INCHES		MILLIMETERS	
	MIN	MAX	MIN	MAX
A	----	0.210	----	5.33
A1	0.015	----	0.38	----
A2	0.115	0.195	2.92	4.95
b	0.014	0.022	0.35	0.56
b2	0.060 TYP		1.52 TYP	
C	0.008	0.014	0.20	0.36
D	0.355	0.400	9.02	10.16
D1	0.005	----	0.13	----
E	0.300	0.325	7.62	8.26
E1	0.240	0.280	6.10	7.11
e	0.100 BSC		2.54 BSC	
eB	----	0.430	----	10.92
L	0.115	0.150	2.92	3.81
M	----	10°	----	10°

GENERIC
MARKING DIAGRAM*



- XXXX = Specific Device Code
- A = Assembly Location
- WL = Wafer Lot
- YY = Year
- WW = Work Week
- G = Pb-Free Package

*This information is generic. Please refer to device data sheet for actual part marking. Pb-Free indicator, "G" or microdot "▪", may or may not be present.

- STYLE 1:
PIN 1. AC IN
2. DC + IN
3. DC - IN
4. AC IN
5. GROUND
6. OUTPUT
7. AUXILIARY
8. V_{CC}

DOCUMENT NUMBER:	98ASB42420B	Electronic versions are uncontrolled except when accessed directly from the Document Repository. Printed versions are uncontrolled except when stamped "CONTROLLED COPY" in red.
DESCRIPTION:	PDIP-8	PAGE 1 OF 1

ON Semiconductor and ON are trademarks of Semiconductor Components Industries, LLC dba ON Semiconductor or its subsidiaries in the United States and/or other countries. ON Semiconductor reserves the right to make changes without further notice to any products herein. ON Semiconductor makes no warranty, representation or guarantee regarding the suitability of its products for any particular purpose, nor does ON Semiconductor assume any liability arising out of the application or use of any product or circuit, and specifically disclaims any and all liability, including without limitation special, consequential or incidental damages. ON Semiconductor does not convey any license under its patent rights nor the rights of others.

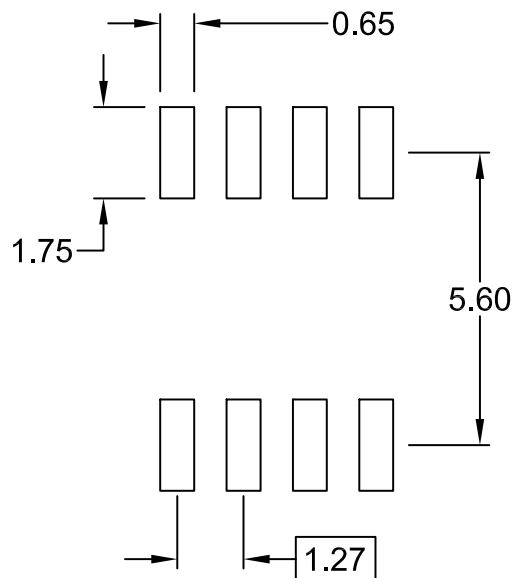
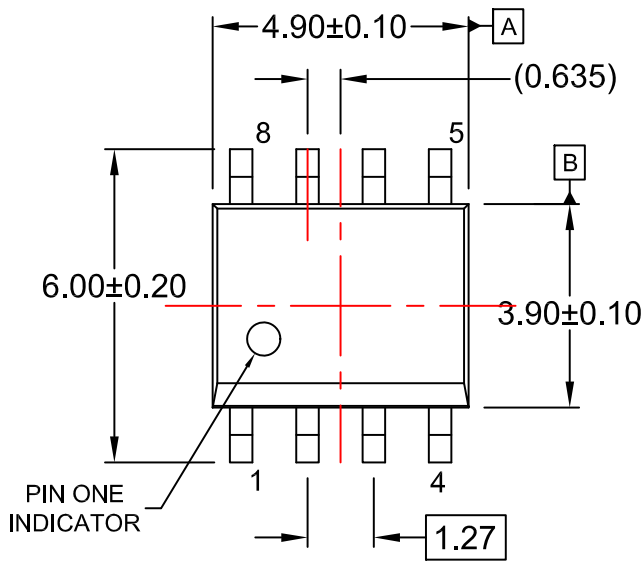
MECHANICAL CASE OUTLINE
PACKAGE DIMENSIONS

ON Semiconductor®

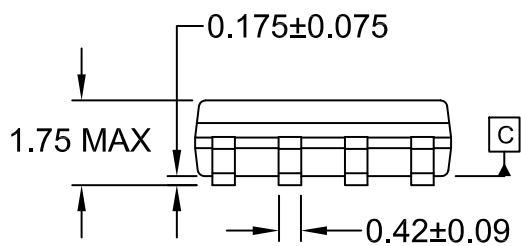


SOIC8
CASE 751EB
ISSUE A

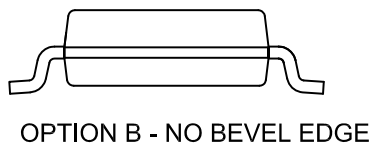
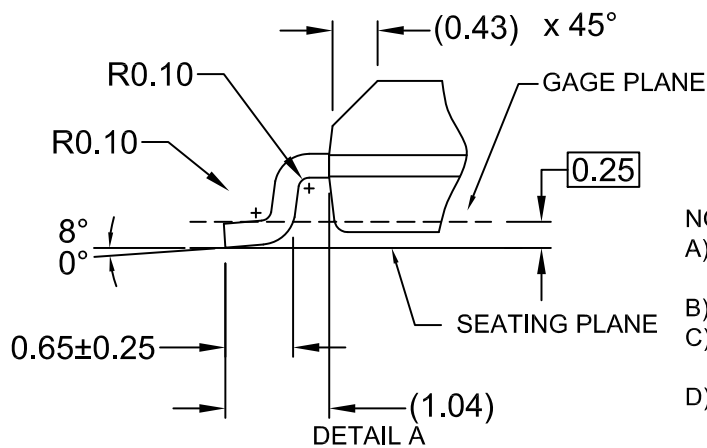
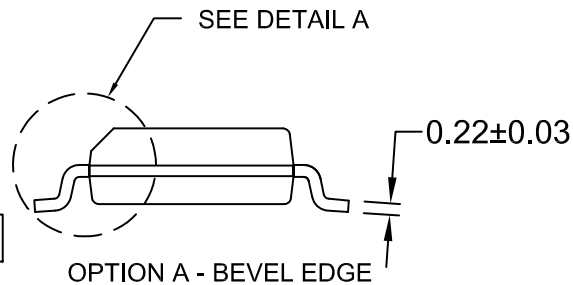
DATE 24 AUG 2017



⊕ 0.25 (M) C B A



⌒ 0.10



NOTES:

- A) THIS PACKAGE CONFORMS TO JEDEC MS-012, VARIATION AA.
- B) ALL DIMENSIONS ARE IN MILLIMETERS.
- C) DIMENSIONS DO NOT INCLUDE MOLD FLASH OR BURRS.
- D) LANDPATTERN STANDARD: SOIC127P600X175-8M

DOCUMENT NUMBER:	98AON13735G	Electronic versions are uncontrolled except when accessed directly from the Document Repository. Printed versions are uncontrolled except when stamped "CONTROLLED COPY" in red.
DESCRIPTION:	SOIC8	PAGE 1 OF 1

ON Semiconductor and are trademarks of Semiconductor Components Industries, LLC dba ON Semiconductor or its subsidiaries in the United States and/or other countries. ON Semiconductor reserves the right to make changes without further notice to any products herein. ON Semiconductor makes no warranty, representation or guarantee regarding the suitability of its products for any particular purpose, nor does ON Semiconductor assume any liability arising out of the application or use of any product or circuit, and specifically disclaims any and all liability, including without limitation special, consequential or incidental damages. ON Semiconductor does not convey any license under its patent rights nor the rights of others.

onsemi, **Onsemi**, and other names, marks, and brands are registered and/or common law trademarks of Semiconductor Components Industries, LLC dba "**onsemi**" or its affiliates and/or subsidiaries in the United States and/or other countries. **onsemi** owns the rights to a number of patents, trademarks, copyrights, trade secrets, and other intellectual property. A listing of **onsemi**'s product/patent coverage may be accessed at www.onsemi.com/site/pdf/Patent-Marking.pdf. **onsemi** reserves the right to make changes at any time to any products or information herein, without notice. The information herein is provided "as-is" and **onsemi** makes no warranty, representation or guarantee regarding the accuracy of the information, product features, availability, functionality, or suitability of its products for any particular purpose, nor does **onsemi** assume any liability arising out of the application or use of any product or circuit, and specifically disclaims any and all liability, including without limitation special, consequential or incidental damages. Buyer is responsible for its products and applications using **onsemi** products, including compliance with all laws, regulations and safety requirements or standards, regardless of any support or applications information provided by **onsemi**. "Typical" parameters which may be provided in **onsemi** data sheets and/or specifications can and do vary in different applications and actual performance may vary over time. All operating parameters, including "Typicals" must be validated for each customer application by customer's technical experts. **onsemi** does not convey any license under any of its intellectual property rights nor the rights of others. **onsemi** products are not designed, intended, or authorized for use as a critical component in life support systems or any FDA Class 3 medical devices or medical devices with a same or similar classification in a foreign jurisdiction or any devices intended for implantation in the human body. Should Buyer purchase or use **onsemi** products for any such unintended or unauthorized application, Buyer shall indemnify and hold **onsemi** and its officers, employees, subsidiaries, affiliates, and distributors harmless against all claims, costs, damages, and expenses, and reasonable attorney fees arising out of, directly or indirectly, any claim of personal injury or death associated with such unintended or unauthorized use, even if such claim alleges that **onsemi** was negligent regarding the design or manufacture of the part. **onsemi** is an Equal Opportunity/Affirmative Action Employer. This literature is subject to all applicable copyright laws and is not for resale in any manner.

ADDITIONAL INFORMATION

TECHNICAL PUBLICATIONS:

Technical Library: www.onsemi.com/design/resources/technical-documentation
onsemi Website: www.onsemi.com

ONLINE SUPPORT: www.onsemi.com/support

For additional information, please contact your local Sales Representative at www.onsemi.com/support/sales