

MOSFET - Power, N-Channel, SUPERFET® III, Easy-drive

650 V, 70 mΩ, 44 A
NTBL070N65S3

Description

SUPERFET III MOSFET is onsemi's brand-new high voltage super-junction (SJ) MOSFET family that is utilizing charge balance technology for outstanding low on-resistance and lower gate charge performance. This advanced technology is tailored to minimize conduction loss provide superior switching performance, and withstand extreme dv/dt rate. Consequently, SUPERFET III MOSFET Easy-drive series helps manage EMI issues and allows for easier design implementation.

The TOLL package offers improved thermal performance and excellent switching performance thanks to Kelvin Source configuration and lower parasitic source inductance. TOLL offers Moisture Sensitivity Level 1 (MSL 1).

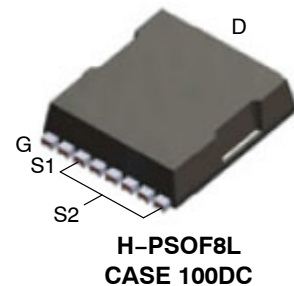
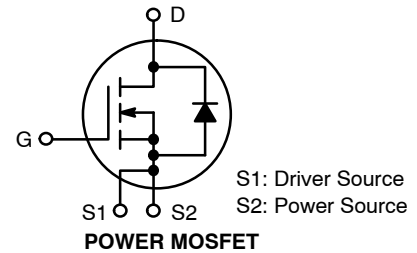
Features

- 700 V @ $T_J = 150^\circ\text{C}$
- Typ. $R_{DS(on)} = 57\text{ m}\Omega$
- Ultra Low Gate Charge (Typ. $Q_G = 82\text{ nC}$)
- Low Effective Output Capacitance (Typ. $C_{OSS(eff.)} = 724\text{ pF}$)
- 100% Avalanche Tested
- Kelvin Source Configuration and Low Parasitic Source Inductance
- MSL1 Qualified
- These Devices are Pb-Free, Halogen Free/BFR Free and are RoHS Compliant

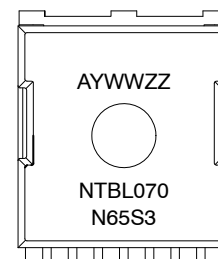
Typical Applications

- Telecom / Server Power Supplies
- Industrial Power Supplies
- UPS / Solar

| BV_{DSS} | $R_{DS(on)}\text{ MAX}$ | $I_D\text{ MAX}$ |
|------------|-------------------------|------------------|
| 650 V | 70 mΩ @ 10 V | 44 A |



MARKING DIAGRAM



| | |
|--------------|------------------------|
| A | = Assembly Location |
| Y | = Year |
| WW | = Work Week |
| ZZ | = Assembly Lot Code |
| NTBL070N65S3 | = Specific Device Code |

ORDERING INFORMATION

See detailed ordering and shipping information on page 2 of this data sheet.

NTBL070N65S3

ABSOLUTE MAXIMUM RATINGS (T_C = 25°C, Unless otherwise specified)

| Symbol | Parameter | | Value | Unit |
|-----------------------------------|--|-------------------------------------|-------------|------|
| V _{DSS} | Drain to Source Voltage | | 650 | V |
| V _{GSS} | Gate to Source Voltage | DC | ±30 | V |
| | | AC (f > 1 Hz) | ±30 | V |
| I _D | Drain Current | Continuous (T _C = 25°C) | 44 | A |
| | | Continuous (T _C = 100°C) | 28 | A |
| I _{DM} | Pulsed Drain Current | Pulsed (Note 1) | 110 | A |
| E _{AS} | Single Pulsed Avalanche Energy (Note 2) | | 214 | mJ |
| E _{AR} | Repetitive Avalanche (Note 1) | | 3.12 | mJ |
| dv/dt | MOSFET dv/dt | | 100 | V/ns |
| | Peak Diode Recovery dv/dt (Note 3) | | 20 | V/ns |
| P _D | Power Dissipation | (T _C = 25°C) | 312 | W |
| | | Derate Above 25°C | 2.5 | W/°C |
| T _J , T _{STG} | Operating and Storage Temperature Range | | -55 to +150 | °C |
| T _L | Maximum Lead Temperature for Soldering, 1/8" from Case for 5 Seconds | | 300 | °C |

Stresses exceeding those listed in the Maximum Ratings table may damage the device. If any of these limits are exceeded, device functionality should not be assumed, damage may occur and reliability may be affected.

1. Repetitive rating; pulse-width limited by maximum junction temperature.
2. I_{AS} = 4.8 A, R_G = 25 Ω, starting T_J = 25°C.
3. I_{SD} < 22 A, di/dt ≤ 200 A/μs, VDD ≤ BVDSS, starting T_J = 25°C.

THERMAL CHARACTERISTICS

| Symbol | Parameter | Value | Unit |
|------------------|--|-------|------|
| R _{θJC} | Thermal Resistance, Junction-to-Case, Steady State | 0.37 | °C/W |
| R _{θJA} | Thermal Resistance, Junction-to-Ambient, Steady State (Note 4) | 43 | |

4. Device on 1 in², 2 oz copper pad on 1.5 x 1.5 in. board of FR-4 material.

PACKAGE MARKING AND ORDERING INFORMATION

| Device | Device Marking | Package | Reel Size | Tape Width | Quantity |
|--------------|----------------|----------|-----------|------------|------------|
| NTBL070N65S3 | NTBL070N65S3 | H-PSOF8L | 13 mm | 24 mm | 2000 Units |

†For information on tape and reel specifications, including part orientation and tape sizes, please refer to our Tape and Reel Packaging Specifications Brochure, [BRD8011/D](#).

NTBL070N65S3

ELECTRICAL CHARACTERISTICS (T_C = 25°C unless otherwise noted)

| Symbol | Parameter | Test Conditions | Min | Typ | Max | Unit |
|--------|-----------|-----------------|-----|-----|-----|------|
|--------|-----------|-----------------|-----|-----|-----|------|

OFF CHARACTERISTICS

| | | | | | | |
|--------------------------------------|---|--|-----|------|------|------|
| BV _{DSS} | Drain-to-Source Breakdown Voltage | V _{GS} = 0 V, I _D = 1 mA, T _J = 25°C | 650 | - | - | V |
| | | V _{GS} = 0 V, I _D = 1 mA, T _J = 150°C | 700 | - | - | V |
| ΔBV _{DSS} / ΔT _J | Breakdown Voltage Temperature Coefficient | I _D = 1 mA, Referenced to 25°C | - | 0.72 | - | V/°C |
| I _{DSS} | Zero Gate Voltage Drain Current | V _{DS} = 650 V, V _{GS} = 0 V | - | - | 1 | μA |
| | | V _{DS} = 520 V, V _{GS} = 0 V, T _c = 125°C | - | 3.4 | - | |
| I _{GSS} | Gate to Body Leakage Current | V _{GS} = ±30 V, V _{DS} = 0 V | - | - | ±100 | nA |

ON CHARACTERISTICS

| | | | | | | |
|---------------------|--------------------------------------|--|-----|----|-----|----|
| V _{GS(th)} | Gate to Source Threshold Voltage | V _{GS} = V _{DS} , I _D = 1.0 mA | 2.5 | - | 4.5 | V |
| R _{DS(on)} | Static Drain to Source On Resistance | V _{GS} = 10 V, I _D = 22 A, T _J = 25°C | - | 57 | 70 | mΩ |
| g _{FS} | Forward Transconductance | V _{DS} = 20 V, I _D = 22 A | - | 26 | - | S |

DYNAMIC CHARACTERISTICS

| | | | | | | |
|------------------------|-----------------------------------|---|---|-------|---|----|
| C _{iss} | Input Capacitance | V _{DS} = 400 V, V _{GS} = 0 V, f = 1 MHz | - | 3300 | - | pF |
| C _{oss} | Output Capacitance | | - | 72.8 | - | pF |
| C _{rss} | Reverse Transfer Capacitance | | - | 14.6 | - | pF |
| C _{oss(eff.)} | Effective Output Capacitance | V _{DS} = 0 V to 400 V, V _{GS} = 0 V | - | 724 | - | pF |
| C _{oss(er.)} | Energy Related Output Capacitance | V _{DS} = 0 V to 400 V, V _{GS} = 0 V | - | 104 | - | pF |
| Q _{g(tot)} | Total Gate Charge | V _{DS} = 400 V, V _{GS} = 10 V, I _D = 22 A (Note 5) | - | 82.0 | - | nC |
| Q _{gs} | Gate to Source Gate Charge | | - | 21 | - | nC |
| Q _{gd} | Gate to Drain "Miller" Charge | | - | 34.0 | - | nC |
| R _G | Gate Resistance | f = 1 MHz | - | 0.685 | - | mΩ |

SWITCHING CHARACTERISTICS

| | | | | | | |
|---------------------|---------------------|---|---|----|---|----|
| t _{d(on)} | Turn-On Delay Time | V _{DD} = 400 V, I _D = 22 A, V _{GS} = 10 V, R _G = 4.7 Ω (Note 5) | - | 27 | - | ns |
| t _r | Turn-On Rise Time | | - | 24 | - | ns |
| t _{d(off)} | Turn-Off Delay Time | | - | 74 | - | ns |
| t _f | Fall Time | | - | 13 | - | ns |

DRAIN-SOURCE DIODE CHARACTERISTICS

| | | | | | | |
|-----------------|--|--|---|-----|-----|----|
| I _S | Maximum Continuous Drain to Source Diode Forward Current | | - | - | 44 | A |
| I _{SM} | Maximum Pulsed Drain to Source Diode Forward Current | | - | - | 110 | A |
| V _{SD} | Drain to Source Diode Forward Voltage | V _{GS} = 0 V, I _{SD} = 22 A | - | - | 1.2 | V |
| t _{rr} | Reverse Recovery Time | V _{GS} = 0 V, I _{SD} = 22 A dI _F /dt = 100 A/μs | - | 449 | - | nS |
| Q _{rr} | Reverse Recovery Charge | | - | 9.5 | - | μC |

Product parametric performance is indicated in the Electrical Characteristics for the listed test conditions, unless otherwise noted. Product performance may not be indicated by the Electrical Characteristics if operated under different conditions.

5. Essentially independent of operating temperature typical characteristics.

TYPICAL CHARACTERISTICS ($T_C = 25^\circ\text{C}$ unless otherwise noted)

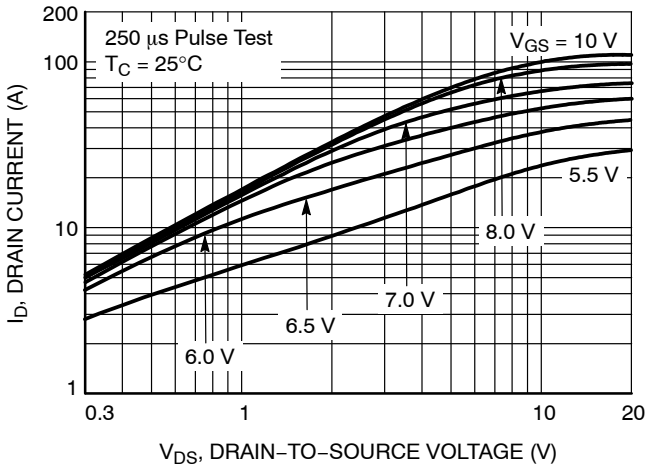


Figure 1. On-Region Characteristics

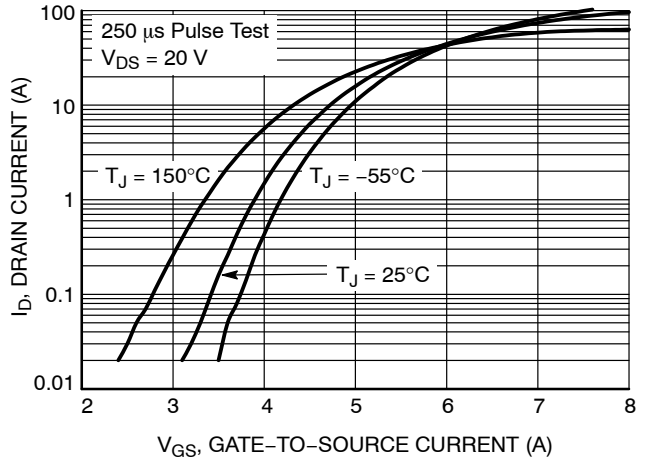


Figure 2. Transfer Characteristics

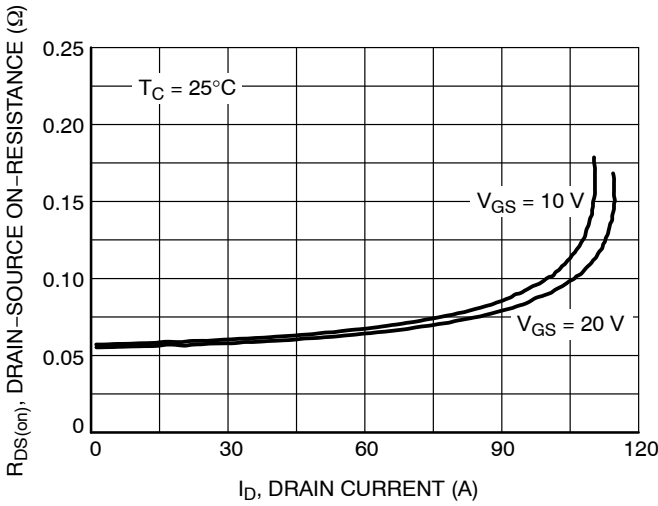


Figure 3. On-Resistance Variation vs. Drain Current and Gate Voltage

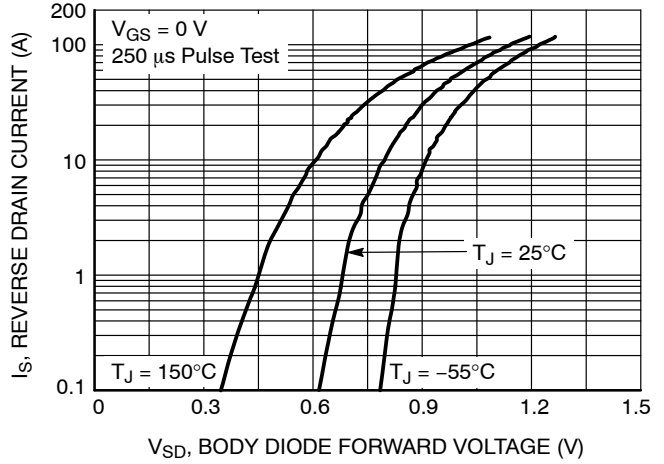


Figure 4. Body Diode Forward Voltage Variation vs. Source Current and Temperature

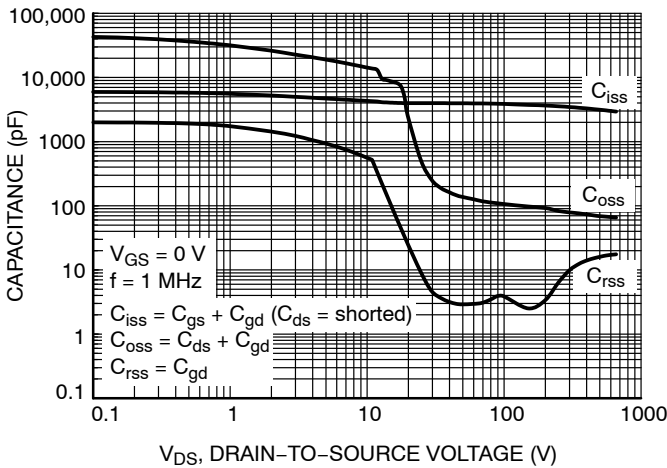


Figure 5. Capacitance Characteristics

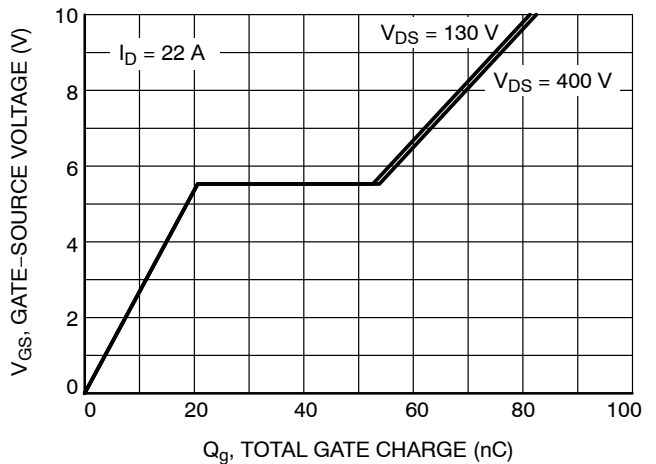


Figure 6. Gate Charge Characteristics

TYPICAL CHARACTERISTICS ($T_C = 25^\circ\text{C}$ unless otherwise noted)

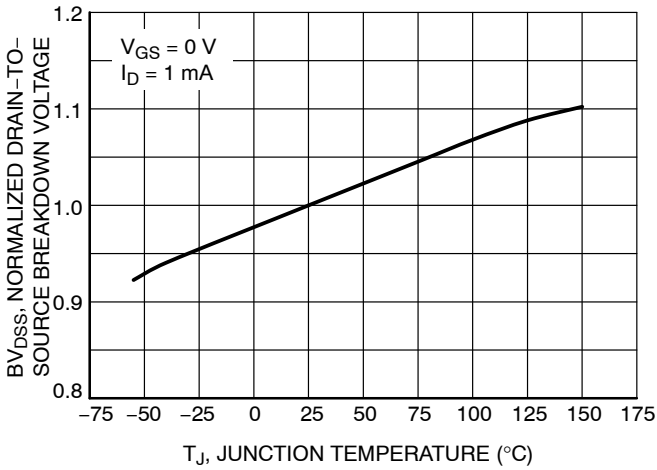


Figure 7. Breakdown Voltage Variation vs. Temperature

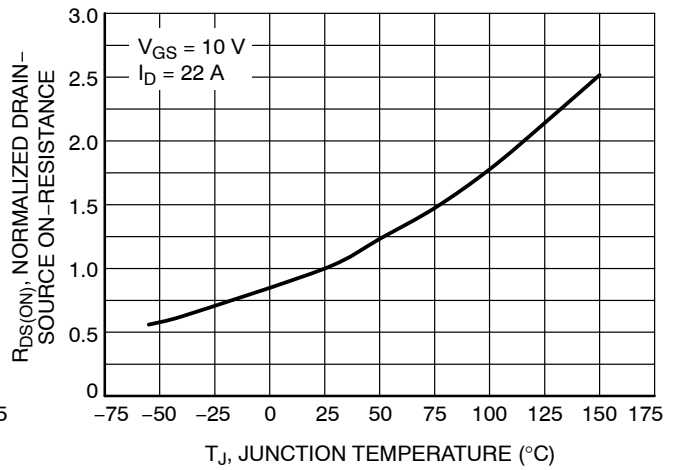


Figure 8. On-Resistance Variation vs. Temperature

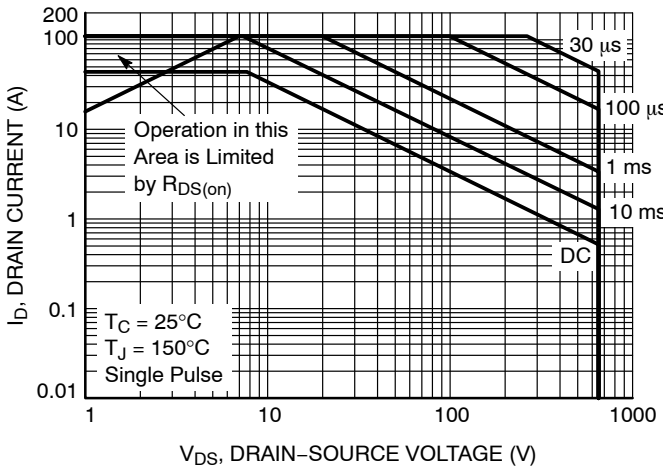


Figure 9. Maximum Safe Operating Area

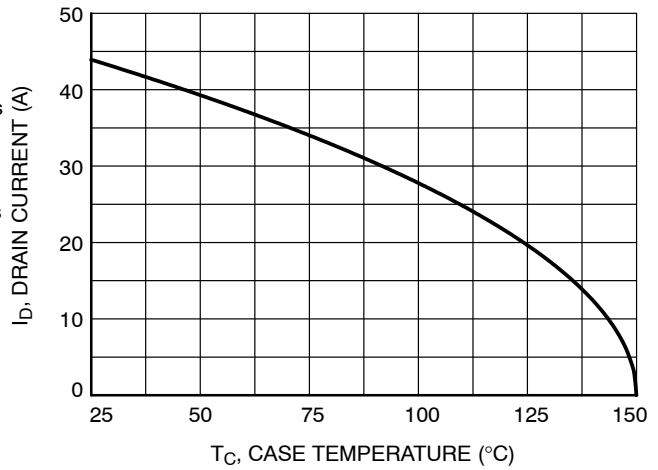


Figure 10. Maximum Drain Current vs. Case Temperature

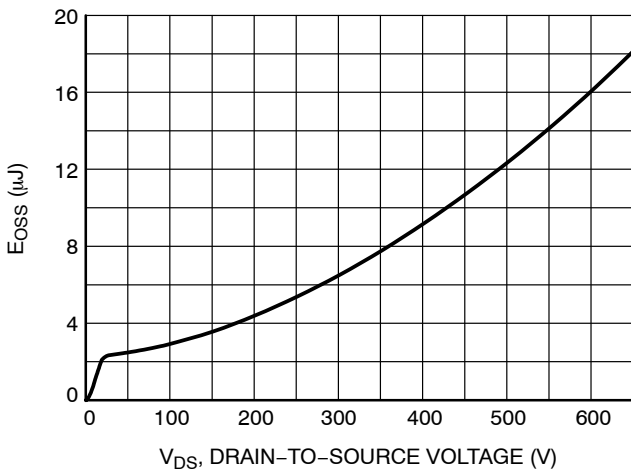


Figure 11. E_{OSS} vs. Drain to Source Voltage

NTBL070N65S3

TYPICAL CHARACTERISTICS ($T_C = 25^\circ\text{C}$ unless otherwise noted)

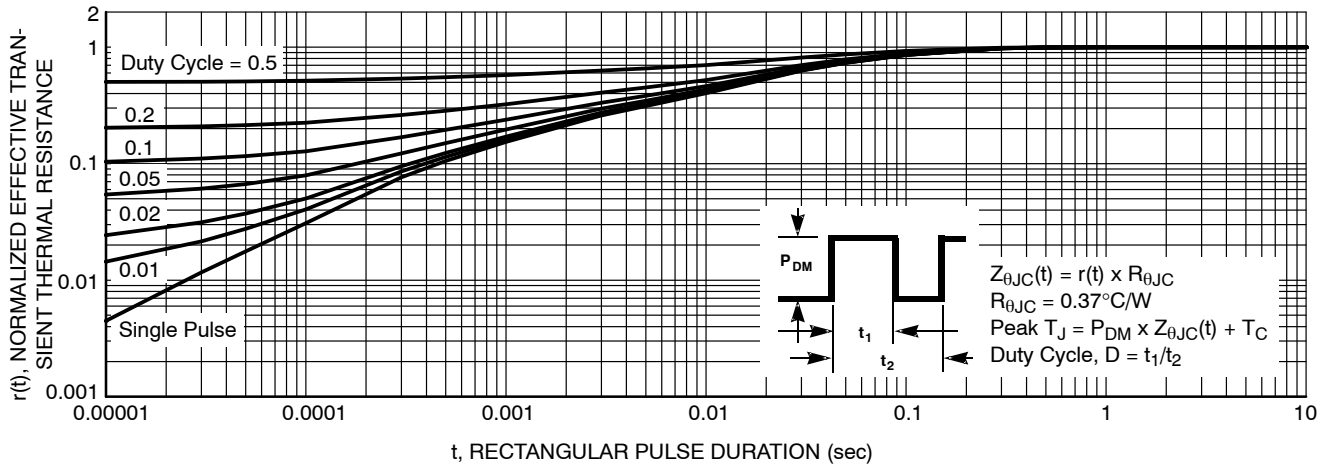


Figure 12. Transient Thermal Impedance

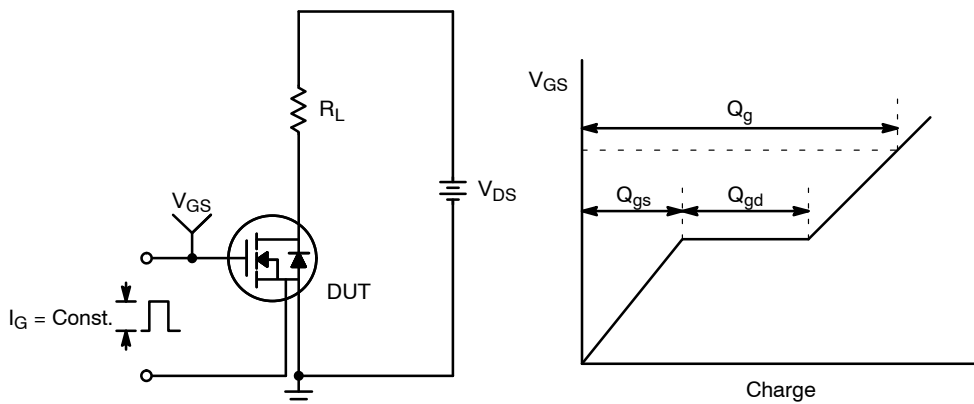


Figure 13. Gate Charge Test Circuit & Waveform

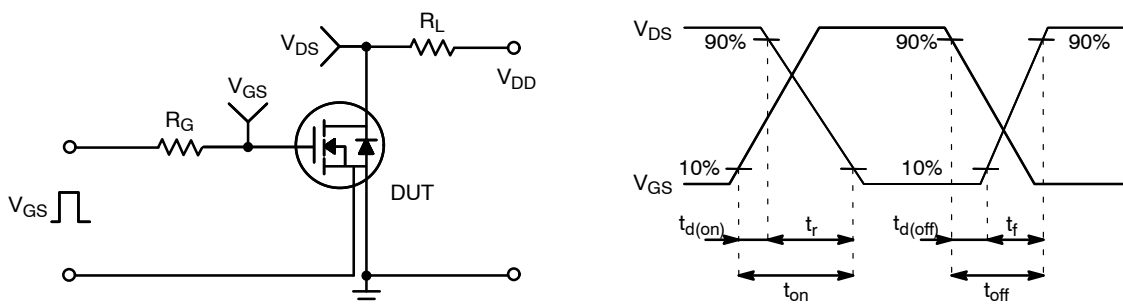


Figure 14. Resistive Switching Test Circuit & Waveforms

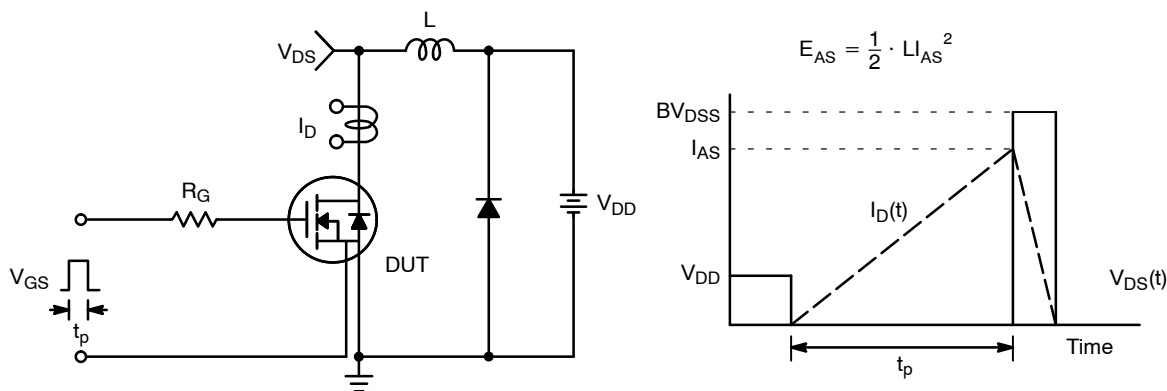


Figure 15. Unclamped Inductive Switching Test Circuit & Waveforms

NTBL070N65S3

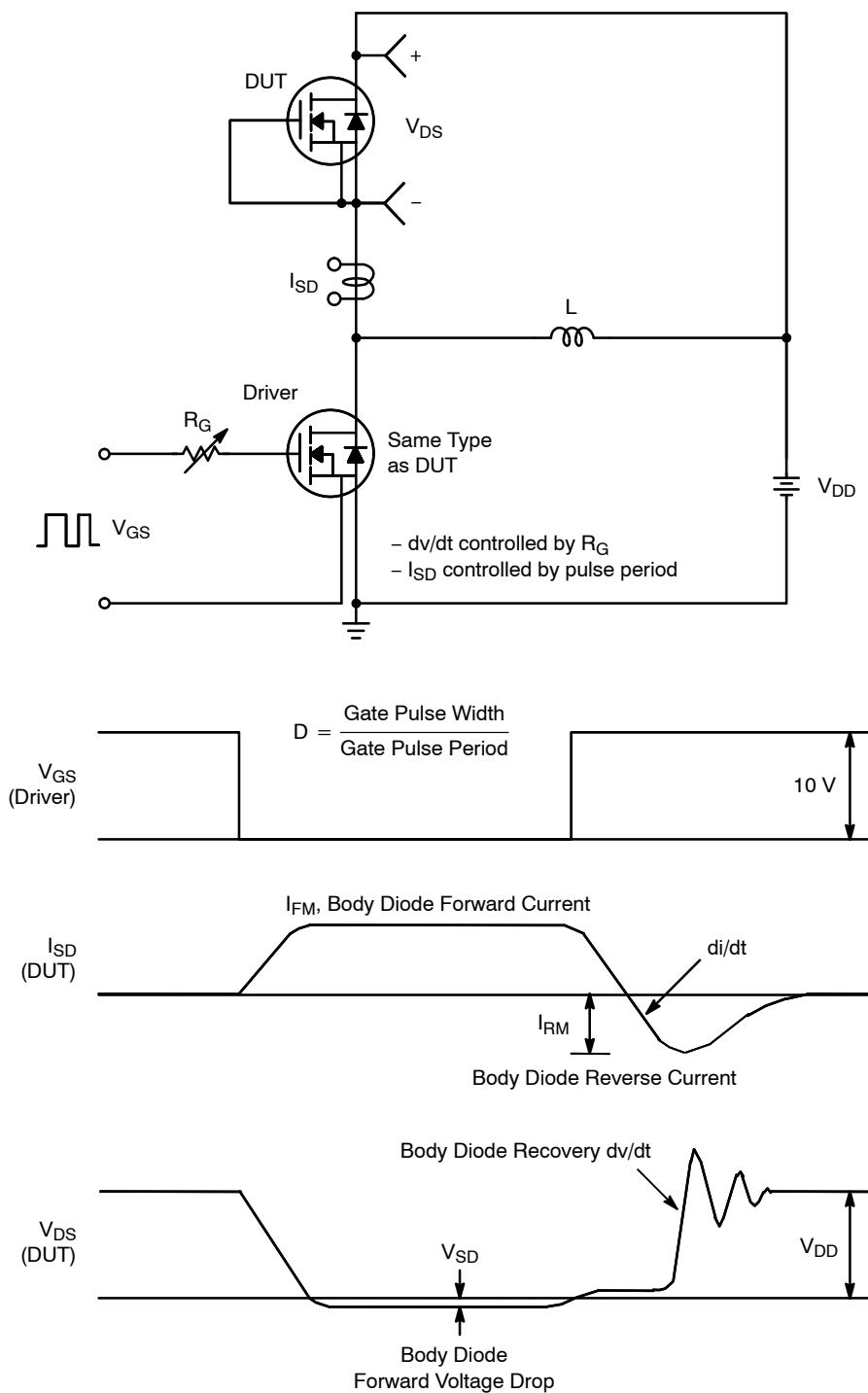
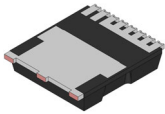
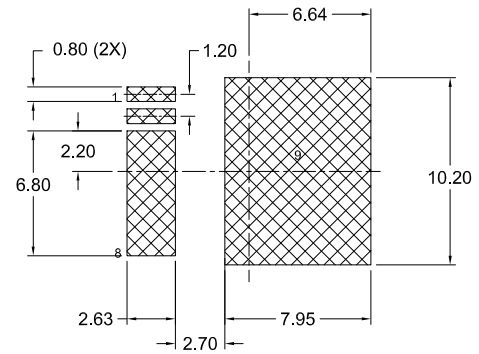
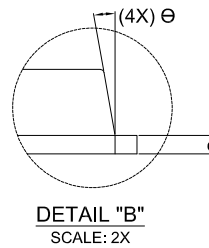
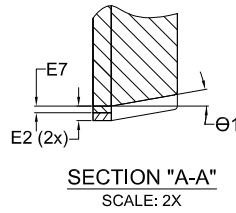
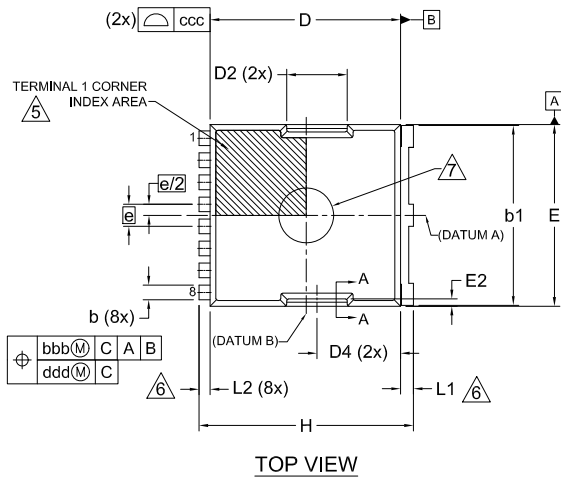


Figure 16. Peak Diode Recovery dv/dt Test Circuit & Waveforms

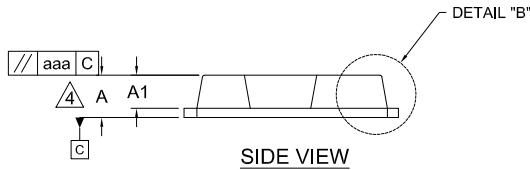


H-PSOF8L 9.90x10.38x2.30, 1.20P
CASE 100DC
ISSUE D

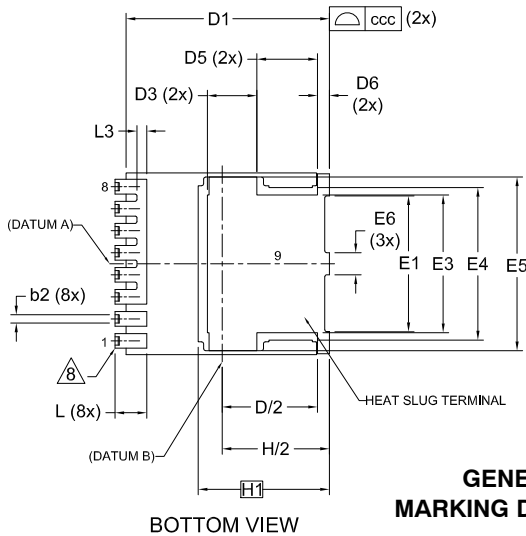
DATE 30 JUL 2024



LAND PATTERN RECOMMENDATION
*FOR ADDITIONAL INFORMATION ON OUR Pb-FREE STRATEGY AND SOLDERING DETAILS, PLEASE DOWNLOAD THE ONSEMI SOLDERING AND MOUNTING TECHNIQUES REFERENCE MANUAL, SOLDERRM/D.



- NOTES:
1. PACKAGE STANDARD REFERENCE: JEDEC MO-299, ISSUE B.
 2. DIMENSIONING AND TOLERANCING PER ASME Y14.5M, 2018.
 3. "e" REPRESENTS THE TERMINAL PITCH.
 4. THIS DIMENSION INCLUDES ENCAPSULATION THICKNESS "A1", AND PACKAGE BODY THICKNESS, BUT DOES NOT INCLUDE ATTACHED FEATURES, e.g., EXTERNAL OR CHIP CAPACITORS. AN INTEGRAL HEATSLUG IS NOT CONSIDERED AS ATTACHED FEATURE.
 5. A VISUAL INDEX FEATURE MUST BE LOCATED WITHIN THE HATCHED AREA.
 6. DIMENSIONS b1, L1, L2 APPLY TO PLATED TERMINALS.
 7. THE LOCATION AND SIZE OF EJECTOR MARKS ARE OPTIONAL.
 8. THE LOCATION AND NUMBER OF FUSED LEADS ARE OPTIONAL.



GENERIC MARKING DIAGRAM*



XXXX = Specific Device Code
A = Assembly Location
Y = Year
WW = Work Week
ZZ = Assembly Lot Code

*This information is generic. Please refer to device data sheet for actual part marking. Pb-Free indicator, "G" or microdot "▪", may or may not be present. Some products may not follow the Generic Marking.

| DIM | MILLIMETERS | | |
|-----|-------------|-------|-------|
| | MIN. | NOM. | MAX. |
| A | 2.20 | 2.30 | 2.40 |
| A1 | 1.70 | 1.80 | 1.90 |
| b | 0.70 | 0.80 | 0.90 |
| b1 | 9.70 | 9.80 | 9.90 |
| b2 | 0.35 | 0.45 | 0.55 |
| c | 0.40 | 0.50 | 0.60 |
| D | 10.28 | 10.38 | 10.48 |
| D/2 | 5.09 | 5.19 | 5.29 |
| D1 | 10.98 | 11.08 | 11.18 |
| D2 | 3.20 | 3.30 | 3.40 |
| D3 | 2.60 | 2.70 | 2.80 |
| D4 | 4.45 | 4.55 | 4.65 |
| D5 | 3.20 | 3.30 | 3.40 |
| D6 | 0.55 | 0.65 | 0.75 |
| E | 9.80 | 9.90 | 10.00 |
| E1 | 7.30 | 7.40 | 7.50 |
| E2 | 0.30 | 0.40 | 0.50 |
| E3 | 7.40 | 7.50 | 7.60 |
| E4 | 8.20 | 8.30 | 8.40 |

| DIM | MILLIMETERS | | |
|---------|-------------|-------|-------|
| | MIN. | NOM. | MAX. |
| E5 | 9.36 | 9.46 | 9.56 |
| E6 | 1.10 | 1.20 | 1.30 |
| E7 | 0.15 | 0.18 | 0.21 |
| e | 1.20 BSC | | |
| e/2 | 0.60 BSC | | |
| H | 11.58 | 11.68 | 11.78 |
| H/2 | 5.74 | 5.84 | 5.94 |
| H1 | 7.15 BSC | | |
| L | 1.63 | 1.73 | 1.83 |
| L1 | 0.60 | 0.70 | 0.80 |
| L2 | 0.50 | 0.60 | 0.70 |
| L3 | 0.43 | 0.53 | 0.63 |
| theta | 10° REF | | |
| theta 1 | 10° REF | | |
| aaa | 0.20 | | |
| bbb | 0.25 | | |
| ccc | 0.20 | | |
| ddd | 0.20 | | |
| eee | 0.10 | | |

| | | |
|------------------|---------------------------------|--|
| DOCUMENT NUMBER: | 98AON80466G | Electronic versions are uncontrolled except when accessed directly from the Document Repository. Printed versions are uncontrolled except when stamped "CONTROLLED COPY" in red. |
| DESCRIPTION: | H-PSOF8L 9.90x10.38x2.30, 1.20P | PAGE 1 OF 1 |

onsemi and ONSEMI are trademarks of Semiconductor Components Industries, LLC dba onsemi or its subsidiaries in the United States and/or other countries. onsemi reserves the right to make changes without further notice to any products herein. onsemi makes no warranty, representation or guarantee regarding the suitability of its products for any particular purpose, nor does onsemi assume any liability arising out of the application or use of any product or circuit, and specifically disclaims any and all liability, including without limitation special, consequential or incidental damages. onsemi does not convey any license under its patent rights nor the rights of others.

onsemi, **Onsemi**, and other names, marks, and brands are registered and/or common law trademarks of Semiconductor Components Industries, LLC dba "**onsemi**" or its affiliates and/or subsidiaries in the United States and/or other countries. **onsemi** owns the rights to a number of patents, trademarks, copyrights, trade secrets, and other intellectual property. A listing of **onsemi**'s product/patent coverage may be accessed at www.onsemi.com/site/pdf/Patent-Marking.pdf. **onsemi** reserves the right to make changes at any time to any products or information herein, without notice. The information herein is provided "as-is" and **onsemi** makes no warranty, representation or guarantee regarding the accuracy of the information, product features, availability, functionality, or suitability of its products for any particular purpose, nor does **onsemi** assume any liability arising out of the application or use of any product or circuit, and specifically disclaims any and all liability, including without limitation special, consequential or incidental damages. Buyer is responsible for its products and applications using **onsemi** products, including compliance with all laws, regulations and safety requirements or standards, regardless of any support or applications information provided by **onsemi**. "Typical" parameters which may be provided in **onsemi** data sheets and/or specifications can and do vary in different applications and actual performance may vary over time. All operating parameters, including "Typicals" must be validated for each customer application by customer's technical experts. **onsemi** does not convey any license under any of its intellectual property rights nor the rights of others. **onsemi** products are not designed, intended, or authorized for use as a critical component in life support systems or any FDA Class 3 medical devices or medical devices with a same or similar classification in a foreign jurisdiction or any devices intended for implantation in the human body. Should Buyer purchase or use **onsemi** products for any such unintended or unauthorized application, Buyer shall indemnify and hold **onsemi** and its officers, employees, subsidiaries, affiliates, and distributors harmless against all claims, costs, damages, and expenses, and reasonable attorney fees arising out of, directly or indirectly, any claim of personal injury or death associated with such unintended or unauthorized use, even if such claim alleges that **onsemi** was negligent regarding the design or manufacture of the part. **onsemi** is an Equal Opportunity/Affirmative Action Employer. This literature is subject to all applicable copyright laws and is not for resale in any manner.

ADDITIONAL INFORMATION

TECHNICAL PUBLICATIONS:

Technical Library: www.onsemi.com/design/resources/technical-documentation
onsemi Website: www.onsemi.com

ONLINE SUPPORT: www.onsemi.com/support

For additional information, please contact your local Sales Representative at www.onsemi.com/support/sales