

Intelligent Power Module (IPM)

Inverter, 1200 V, 40 A

NFAM5312SCBUT

General Description

The NFAM5312SCBUT is a fully-integrated inverter power module consisting of an independent High side gate driver, LVIC, six SiC MOSFET's and a temperature sensor (VTS or Thermistor), suitable for driving permanent magnet synchronous (PMSM) motors, brushless DC (BLDC) motors and AC asynchronous motors. The SiC MOSFET's are configured in a three-phase bridge with separate source connections for the lower legs for maximum flexibility in the choice of control algorithm.

The power stage has undervoltage lockout protection (UVP). Internal bootstrap diodes/resistors are provided for high side control.

Features

- 1200 V 40 A 3-Phase SiC MOSFET Inverter, Including Control ICs for Gate Drive and Protections
- Active Logic Interface
- Built-in Under-voltage Protection (UVP)
- Built-in Bootstrap Diodes/Resistors
- Separate Low-side SiC MOSFET Source Connections for Individual Current Sensing of Each Phase
- Temperature Sensor (VTS Output by LVIC or Thermistor)
- UL Certification: E209204
- This is a Pb-Free Device

Typical Application

- Industrial Drives
- Industrial Pumps
- Industrial Fans
- Industrial Automation

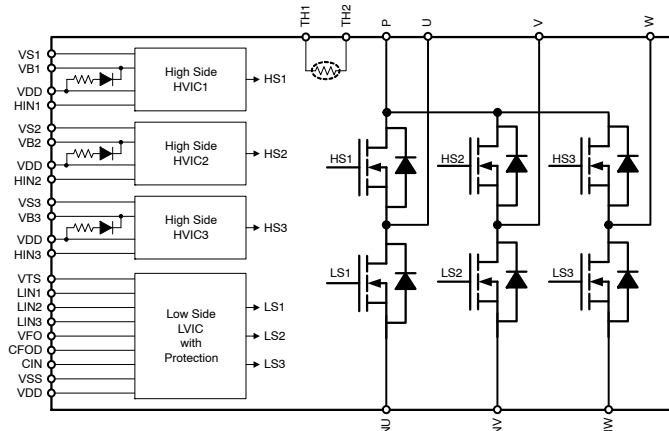
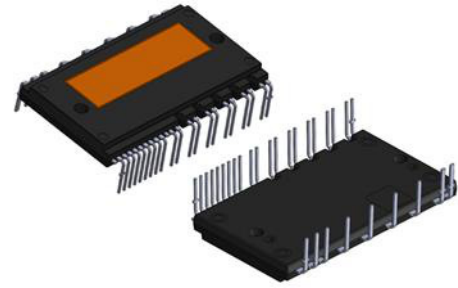
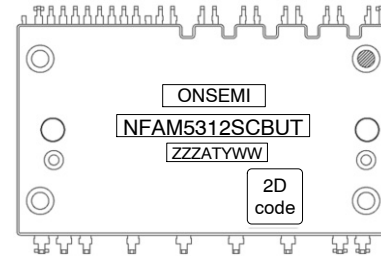


Figure 1. Pin Configuration – Top View



CASE MODGC
DIP39, 54.5x31.0 EP-2

MARKING DIAGRAM



NFAM5312SCBUT = Specific Device Code
 ZZZ = Assembly Lot Code
 A = Assembly Location
 T = Test Location
 Y = Year
 WW = Work Week

ORDERING INFORMATION

Device	Package	Shipping (Qty / Packing)
NFAM5312SCBUT	DIP39, 31.0 x 54.5	90 / BOX

NFAM5312SCBUT

PIN CONFIGURATION

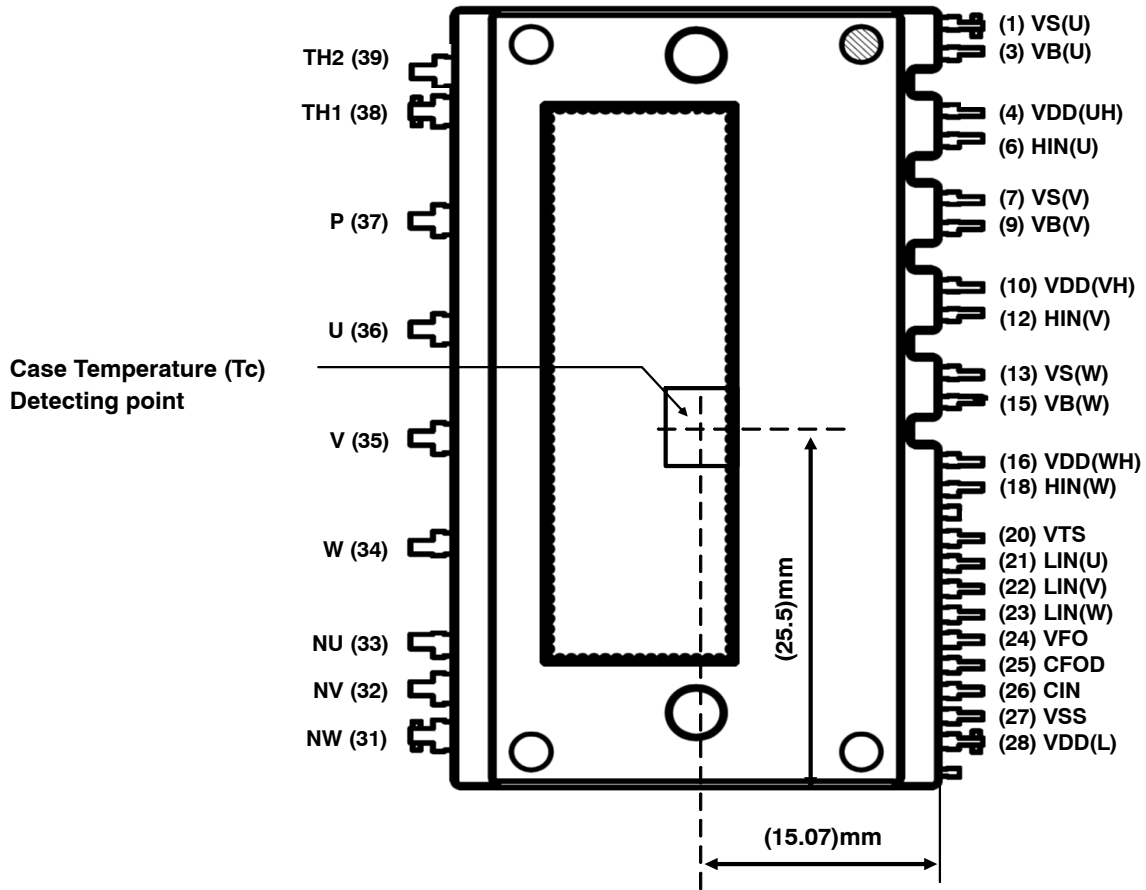


Figure 2. Pin Configuration – Top View

NFAM5312SCBUT

PIN DESCRIPTION

Pin	Name	Description
1	VS(U)	High-Side Bias Voltage Ground for U-Phase MOSFET Driving
(2)	-	Dummy
3	VB(U)	High-Side floating supply voltage for U-Phase MOSFET Driving
4	VDD(UH)	High-Side control power supply for U-Phase IC
(5)	-	Dummy
6	HIN(U)	Signal Input for High-Side U-Phase
7	VS(V)	High-Side Bias Voltage Ground for V-Phase MOSFET Driving
(8)	-	Dummy
9	VB(V)	High-Side floating supply voltage for V-Phase MOSFET Driving
10	VDD(VH)	High-Side control power supply for V-Phase IC
(11)	-	Dummy
12	HIN(V)	Signal Input for High-Side V-Phase
13	VS(W)	High-Side Bias Voltage Ground for W-Phase MOSFET Driving
(14)	-	Dummy
15	VB(W)	High-Side floating supply voltage for W-Phase MOSFET Driving
16	VDD(WH)	High-Side control power supply for W-Phase IC
(17)	-	Dummy
18	HIN(W)	Signal Input for High-Side W-Phase
(19)	-	Dummy
20	VTS	Output for LVIC Temperature Sensing Voltage
21	LIN(U)	Signal Input for Low-Side U-Phase
22	LIN(V)	Signal Input for Low-Side V-Phase
23	LIN(W)	Signal Input for Low-Side W-Phase
24	VFO	Fault Output
25	CFOD	Capacitor for Fault Output Duration Selection
26	CIN	Input for Current Protection
27	VSS	Low-Side Common Supply Ground
28	VDD(L)	Low-Side Bias Voltage for IC and MOSFETs Driving
(29)	-	Dummy
(30)	-	Dummy
31	NW	Negative DC-Link Input for W-Phase
32	NV	Negative DC-Link Input for V-Phase
33	NU	Negative DC-Link Input for U-Phase
34	W	Output for W-Phase
35	V	Output for V-Phase
36	U	Output for U-Phase
37	P	Positive DC-Link Input
38	TH1	Thermistor connection (T) / No connection
39	TH2	Thermistor connection

NOTE: Pins of () are the dummy for internal connection. These pins should be no connection.

NFAM5312SCBUT

INTERNAL EQUIVALENT CIRCUIT AND INPUT/OUTPUT PINS

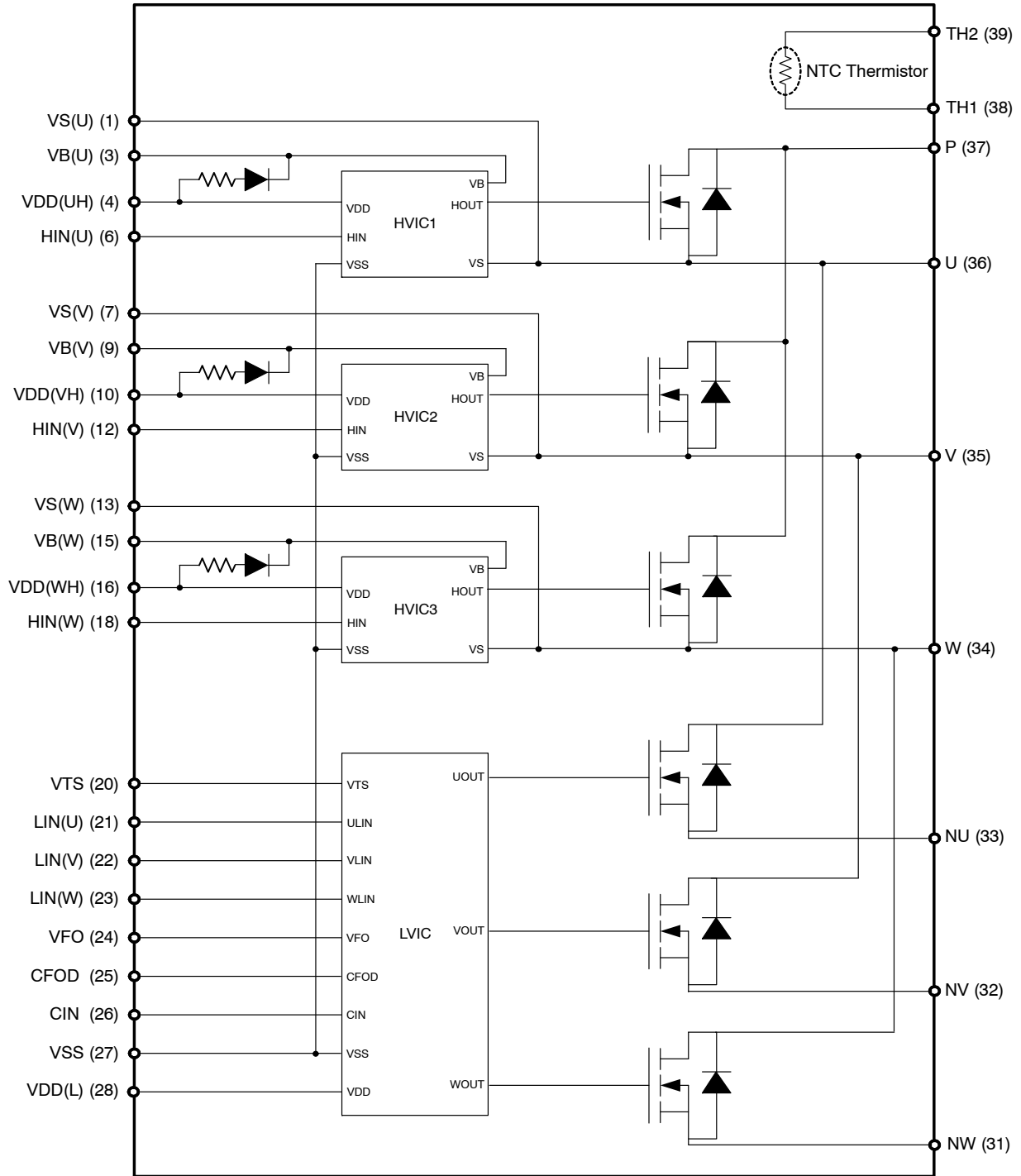


Figure 3. Internal Block Diagram

NFAM5312SCBUT

ABSOLUTE MAXIMUM RATINGS (VDD = 18 V and Tj = 25 °C, Unless Otherwise Specified)

Symbol	Parameter	Test Condition	Max	Unit
INVERTER PART				
VPN	Supply Voltage	Applied between P – NU, NV, NW	900	V
VPN (surge)	Supply Voltage (Surge)	Applied between P – NU, NV, NW (Note 1)	1000	V
VDS	Drain-Source Voltage	P to U, V, W; U to NU, V to NV, W to NW	1200	V
ID	Output Current	P, NU, NV, NW, U, V, W terminal current	±40	A
IDP	Output Peak Current	P, NU, NV, NW, U, V, W terminal current pulse width 1 ms	±80	A
PD	Power Dissipation	Tc = 25 °C per One Chip (Note 2)	138	W
Tj	Operating Junction Temperature		-40 ~ 175	°C

CONTROL PART

VDD	Control Supply Voltage	Applied between VDD(H), VDD(L) – VSS	20	V
VBS	High-Side Control Bias Voltage	Applied between VB(U) – VS(U), VB(V) – VS(V), VB(W) – VS(W)	20	V
VIN	Input Signal Voltage	Applied between HIN(U), HIN(V), HIN(W), LIN(U), LIN(V), LIN(W) – VSS	-0.3 ~ VDD + 0.3	V
VFO	Fault Output Supply Voltage	Applied between VFO – VSS	-0.3 ~ VDD + 0.3	V
IFO	Fault Output Current	Sink Current at VFO pin	2	mA
VCIN	Current Sensing Input Voltage	Applied between CIN – VSS	-0.3 ~ VDD + 0.3	V

TOTAL SYSTEM

VPN(prot)	Self-Protection Supply Voltage Limit (Short Circuit Protection Capability)	VDD = VBS = 13.5 V to 18.0 V, Tj = 150 °C, Non-repetitive, less than 2 μs	800	V
Tc	Case Operation Temperature	See Figure 2	-40 ~ 150	°C
Tstg	Storage Temperature		-40 ~ 150	°C
Viso	Isolation Voltage	60 Hz, Sinusoidal, AC 1 minute, Connection Pins to Heat Sink Plate	2500	V _{rms}

Stresses exceeding those listed in the Maximum Ratings table may damage the device. If any of these limits are exceeded, device functionality should not be assumed, damage may occur and reliability may be affected.

- Surge voltage developed by the switching operation due to the wiring inductance between P and NU, NV, NW terminal.
- Calculation value considered to design factor.

THERMAL RESISTANCE

Symbol	Rating	Conditions	Min	Typ	Max	Unit
Rth(j-c)T	Junction to Case Thermal Resistance (Note 3)	MOSFET per 1/6 module	-	-	1.08	°C/W

- For the measurement point of case temperature (Tc), please refer to Figure 2.

NFAM5312SCBUT

ELECTRICAL CHARACTERISTICS (T_c = 25 °C, VDD = 18 V, VBS = 18 V, unless otherwise noted) (Notes 8, 9)

Symbol	Description	Conditions	Min	Typ	Max	Unit	
INVERTER PART							
IDSS	Drain – Source Leakage Current	VDS = 1200 V, T _j = 25 °C	–	–	1	mA	
		VDS = 1200 V, T _j = 150 °C	–	–	10	mA	
RDS(ON)	Drain to Source On Resistance	IDS = 40 A, VDD = VBS = 18 V, T _j = 25 °C	–	53	72	mΩ	
		IDS = 40 A, VDD = VBS = 18 V, T _j = 150 °C	–	97	–	mΩ	
VSD	Diode Forward Voltage	VDD = VBS = 18 V, ISD = 40 A, T _j = 25 °C	HIN/LIN = OFF	–	4.80	5.50	V
			HIN/LIN = ON	–	1.70	2.35	V
		VDD = VBS = 18 V, ISD = 40 A, T _j = 150 °C	HIN/LIN = OFF	–	5.15	–	V
			HIN/LIN = ON	–	3.10	–	V
Switching times	High Side Switching Times	VPN = 600 V, VDD = 18 V, ID = 40 A T _j = 25 °C, Inductive Load Switching See Figure 4, 25, 26 (Note 4)	ton	0.55	1.05	1.55	μs
			tc(on)	–	0.15	0.55	μs
			toff	–	0.95	1.35	μs
			tc(off)	–	0.06	0.14	μs
			trr	–	0.12	–	μs
Eon	Turn-on switching loss	ID = 40 A, VPN = 600 V, T _j = 25 °C	–	1.50	–	mJ	
Eoff	Turn-off switching loss		–	0.85	–	mJ	
Eon	Turn-on switching loss	ID = 40 A, VPN = 600 V, T _j = 150 °C	–	1.60	–	mJ	
Eoff	Turn-off switching loss		–	1.15	–	mJ	
Erec	Diode reverse recovery energy	ISD = 40 A, VPN = 600 V, (di/dt set by internal driver)	T _j = 25 °C	–	0.17	–	mJ
			T _j = 150 °C	–	0.23	–	mJ
CONTROL PART							
IQDDH	Quiescent VDD Supply Current	VDD(UH, VH, WH) = 18 V, HIN(U, V, W) = 0 V	VDD(UH) – VSS VDD(VH) – VSS VDD(WH) – VSS	–	–	0.3	mA
IQDDL		VDD(L) = 18 V, LIN(U, V, W) = 0 V	VDD(L) – VSS	–	–	2.5	mA
IPDDH	Operating VDD Supply Current	VDD(UH, VH, WH) = 18 V, fPWM = 60 kHz, duty = 50%, applied to one PWM Signal Input for High-Side	VDD(UH) – VSS VDD(VH) – VSS VDD(WH) – VSS	–	–	0.4	mA
IPDDL		VDD(L) = 18 V, fPWM = 60 kHz, duty = 50%, applied to one PWM Signal Input for Low-Side	VDD(L) – VSS	–	–	6.0	mA
IQBS	Quiescent VBS Supply Current	VBS(U, V, W) = 18 V, HIN(U, V, W) = 0 V	VB(U) – VS(U), VB(V) – VS(V), VB(W) – VS(W)	–	–	0.4	mA
IPBS	Operating VBS Supply Current	VDD(UH, VH, WH) = VBS(U, V, W) = 18 V, fPWM = 60 kHz, duty = 50%, applied to one PWM Signal Input for High-Side	VB(U) – VS(U), VB(V) – VS(V), VB(W) – VS(W)	–	–	4.0	mA
VIN(ON)	ON Threshold Voltage	HIN(U, V, W) – VSS, LIN(U, V, W) – VSS	–	–	2.6	V	
VIN(OFF)	OFF Threshold Voltage		0.8	–	–	V	
VIN hys	Input Voltage Threshold Hysteresis		–	–	2.6	V	
IIN+	Input Current	VIN = 5 V	0.7	1	1.5	mA	
VCIN(ref)	Over Current Trip Level	VDD = 18 V	CIN – VSS	0.46	0.48	0.50	V
UVDDD	Supply Circuit Under-Voltage Protection	VDD supply undervoltage negative going input threshold		10.3	–	12.5	V
UVDDR		VDD supply undervoltage positive going input threshold		10.8	–	13.0	V

NFAM5312SCBUT

ELECTRICAL CHARACTERISTICS (Tc = 25 °C, VDD = 18 V, VBS = 18 V, unless otherwise noted) (Notes 8, 9)

Symbol	Description	Conditions	Min	Typ	Max	Unit
CONTROL PART						
UVBSD	Supply Circuit Under-Voltage Protection	VBS supply undervoltage negative going input threshold	10.0	-	12.0	V
UVBSR		VBS supply undervoltage positive going input threshold	10.5	-	12.5	V
VTS	Voltage Output for LVIC Temperature Sensing Unit	Pull down R = 5.1 kΩ, Temp. = 85 °C	2.50	2.63	2.76	V
VFOH	Fault Output Voltage	VDD(L) = 0 V, CIN = 0 V, VFO Circuit: 10 kΩ to 5 V Pull-up	4.9	-	-	V
VFOL		VDD(L) = 0 V, CIN = 1 V, VFO Circuit: 10 kΩ to 5 V Pull-up	-	-	0.95	V
tFOD	Fault-Out Pulse Width	CFOD = 22 nF (Note 6)	1.6	2.2	-	ms

BOOTSTRAP PART

VF BD	Bootstrap Diode Forward Current	IF = 0.1 A (See Figure 7)	2.1	2.5	2.9	V
R BOOT	Built-in Limiting Resistance		12.5	15.5	18.5	Ω

Product parametric performance is indicated in the Electrical Characteristics for the listed test conditions, unless otherwise noted. Product performance may not be indicated by the Electrical Characteristics if operated under different conditions.

NOTES: Performance guaranteed over the indicated operating temperature range by design and/or characterization tested at Tj = Ta = 25 °C. Low duty cycle pulse techniques are used during testing to maintain the junction temperature as close to ambient as possible. Values based on design and/or characterization.

- ton and toff include the propagation delay of the internal drive IC. tc(on) and tc(off) are the switching times of MOSFET under the given gate-driving condition internally. For the detailed information, please see Figure 4.
- TLVIC is the temperature of LVIC itself. VTS is only for sensing temperature of LVIC and cannot shutdown MOSFETs automatically. The relationship between VTS voltage output and LVIC temperature is described in Figure 5. It is recommended to add 5.1k Ω pull down resistor between VTS and VSS (Signal Ground) as described in Figure 6 for linear output characteristics at low temperature. To reduce noise, 10 nF cap is recommended as well. Refer to the application note for usage of VTS.
- The fault-out pulse width tFOD depends on the capacitance value of CFOD according to the following approximate equation:
 $tFOD = 0.1 \times 10^6 \times CFOD [s]$.

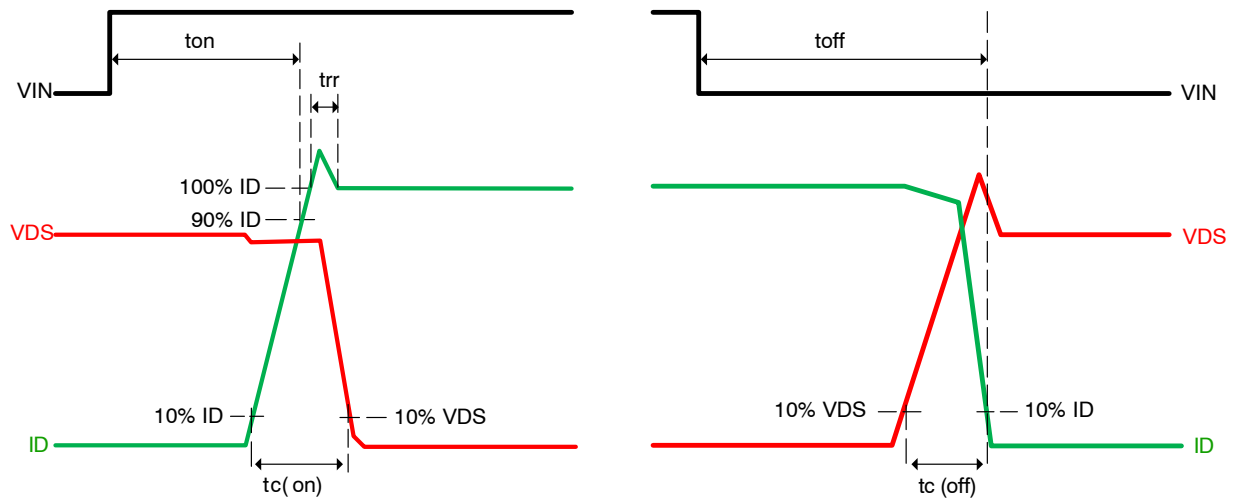


Figure 4. Switching Time Definitions

NFAM5312SCBUT

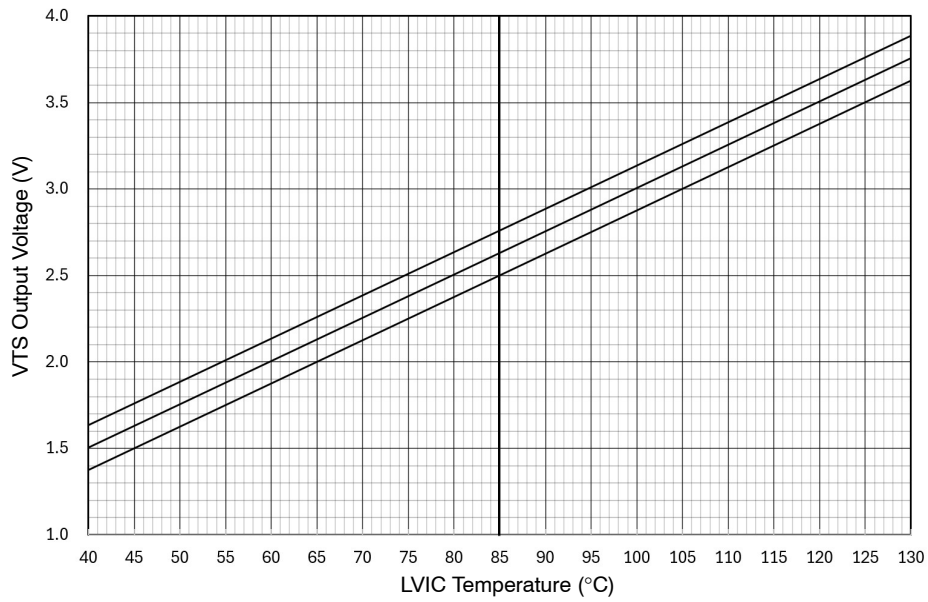


Figure 5. Temperature of LVIC versus VTS Characteristics

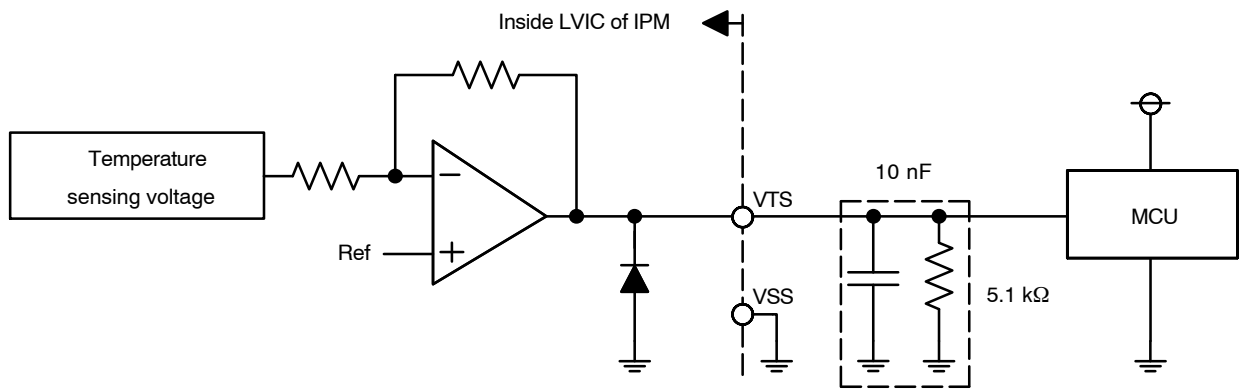


Figure 6. Internal Block Diagram and Interface Circuit of VTS

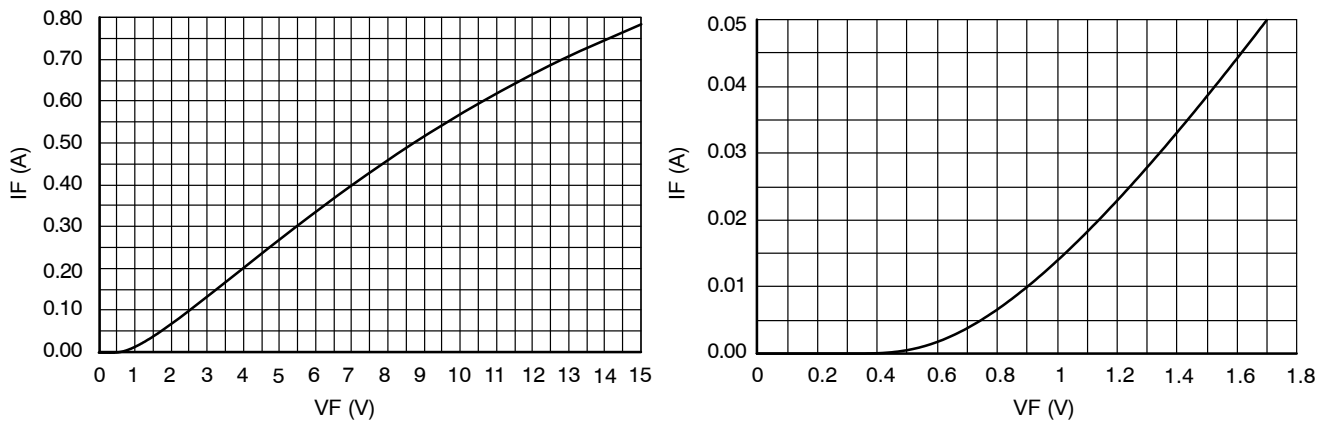


Figure 7. Characteristics of Bootstrap Diode/Resistor (Right Figure is Enlarged Figure)

NFAM5312SCBUT

THERMISTOR CHARACTERISTICS (Included only in NFAM5312SCBUT)

Parameter	Symbol	Condition	Min	Typ	Max	Unit
Resistance	R_{25}	$T_c = 25\text{ }^\circ\text{C}$	46.530	47	47.47	$k\Omega$
Resistance	R_{125}	$T_c = 100\text{ }^\circ\text{C}$	1.344	1.406	1.471	$k\Omega$
B-Constant (25 – 50 $^\circ\text{C}$)	–	B	4009.5	4050	4090.5	K
Temperature range	–	–	–40	–	+125	$^\circ\text{C}$

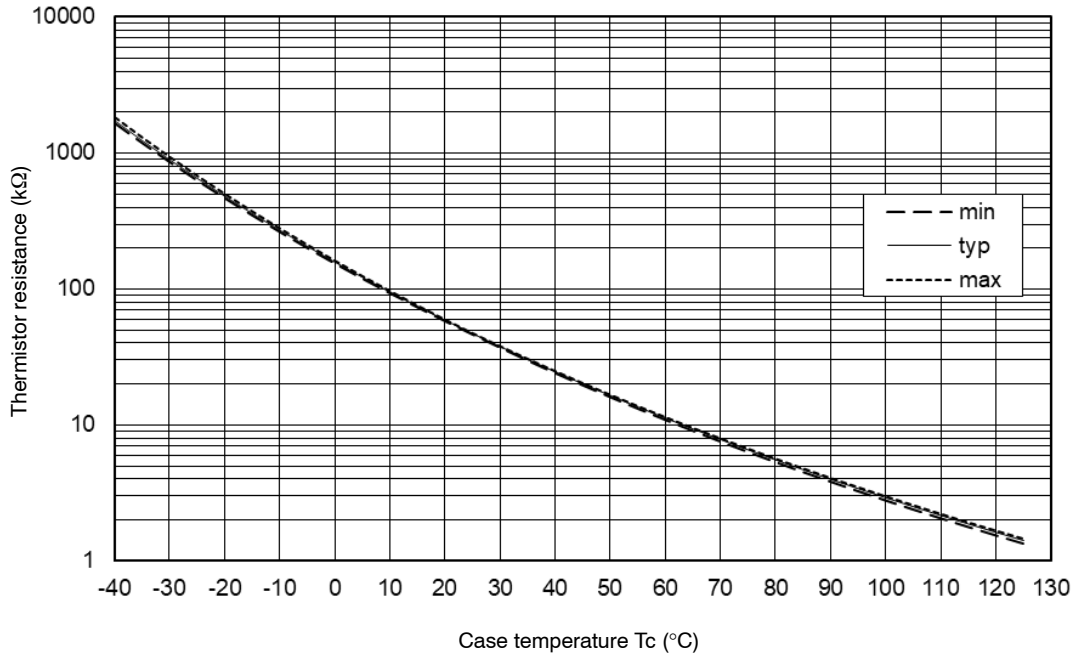


Figure 8. Thermistor Resistance versus Case Temperature

NFAM5312SCBUT

RECOMMENDED OPERATING CONDITIONS

Symbol	Rating	Conditions	Min	Typ	Max	Unit	
VPN	Supply Voltage	Applied between P – NU, NV, NW	–	600	800	V	
VDD	Control Supply Voltage	Applied between VDD(H) – VSS, VDD(L) – VSS	13.0	18.0	19.0	V	
VBS	High-Side Bias Voltages	Applied between VB(U) – VS(U), VB(V) – VS(V), VB(W) – VS(W)	13.5	18.0	19.5	V	
dVDD / dt dVBS / dt	Supply Voltage Variation		–1	–	1	V / μ s	
DT	Dead Time	Turn-off to Turn-on (external)	0.60	–	–	μ s	
fPWM	PWM Input Signal	$-40\text{ }^{\circ}\text{C} \leq T_c \leq 125\text{ }^{\circ}\text{C}$, $-40\text{ }^{\circ}\text{C} \leq T_j \leq 150\text{ }^{\circ}\text{C}$	–	–	60	kHz	
I _o	Allowable r.m.s. Current	VPN = 600 V, VDD = VBS = 18 V, P.F. = 0.8, T _c \leq 125 $^{\circ}$ C, T _j \leq 150 $^{\circ}$ C, (Note 7)	fPWM = 5 kHz	–	–	22.0	A rms
			fPWM = 15 kHz	–	–	19.5	
			fPWM = 30 kHz	–	–	16.5	
PWIN(ON)	Minimum Input Pulse Width	VDD = VBS = 18 V, Wiring Inductance between NU,V,W and DC Link N < 10 nH (Note 8)	1.0	–	–	μ s	
PWIN(OFF)			1.0	–	–		
Package Mounting Torque		M3 Type Screw	0.6	0.7	0.9	Nm	

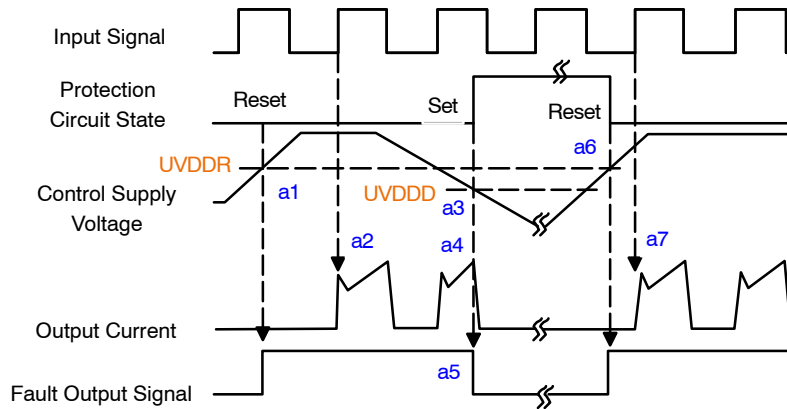
Functional operation above the stresses listed in the Recommended Operating Ranges is not implied. Extended exposure to stresses beyond the Recommended Operating Ranges limits may affect device reliability.

Flatness tolerance of the heatsink should be within $-50\text{ }\mu\text{m}$ to $+100\text{ }\mu\text{m}$.

7. Allowable output current value is the reference data for the safe operation of this product. This may be different from the actual application and operating condition.

8. Product might not make response if input pulse width is less than the recommended value.

TIME CHARTS OF PROTECTIVE FUNCTION



a1 : Control supply voltage rises: After the voltage rises UVDDR, the circuits start to operate when next input is applied.

a2 : Normal operation: MOSFET ON and carrying current.

a3 : Under voltage detection (UVDDD).

a4 : MOSFET OFF in spite of control input condition.

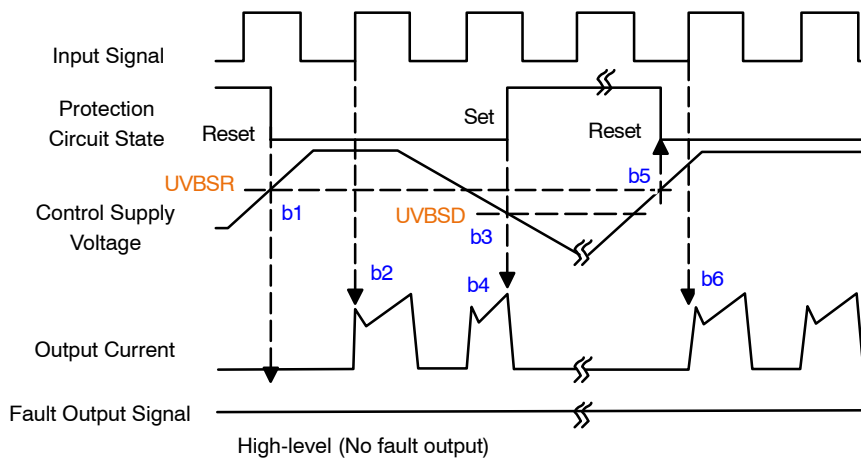
a5 : Fault output operation starts with a fixed pulse width.

a6 : Under voltage reset (UVDDR).

a7 : Normal operation: MOSFET ON and carrying current by triggering next signal from LOW to HIGH.

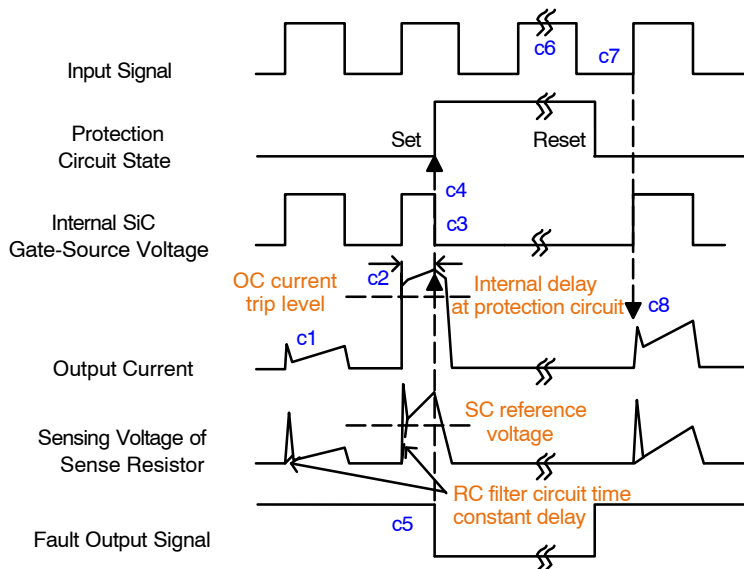
Figure 9. Under-Voltage Protection (Low-Side)

NFAM5312SCBUT



- b1 : Control supply voltage rises: After the voltage reaches UVBSR, the circuits start to operate when next input is applied.
- b2 : Normal operation: MOSFET ON and carrying current.
- b3 : Under voltage detection (UVBSD).
- b4 : MOSFET OFF in spite of control input condition, but there is no fault output signal.
- b5 : Under voltage reset (UVBSR).
- b6 : Normal operation: MOSFET ON and carrying current by triggering next signal from LOW to HIGH.

Figure 10. Under-Voltage Protection (High-Side)



(with the external sense resistance and RC filter connection)

- c1 : Normal operation: MOSFET ON and carrying current.
- c2 : Short circuit current detection (SC trigger).
- c3 : All low-side MOSFET's gate are hard interrupted.
- c4 : All low-side MOSFET's turn OFF.
- c5 : Fault output operation starts with a fixed pulse width.
- c6 : Input HIGH: MOSFET ON state, but during the active period of fault output the MOSFET doesn't turn ON.
- c7 : Fault output operation finishes, but MOSFET doesn't turn on until triggering next signal from LOW to HIGH.
- c8 : Normal operation: MOSFET ON and carrying current.

Figure 11. Short-Circuit Current Protection (Low-Side Operation only)

NFAM5312SCBUT

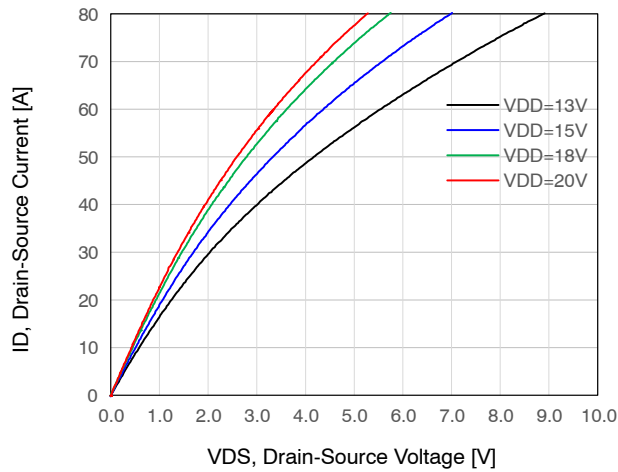


Figure 13. Typ. Drain-Source Saturation Voltage

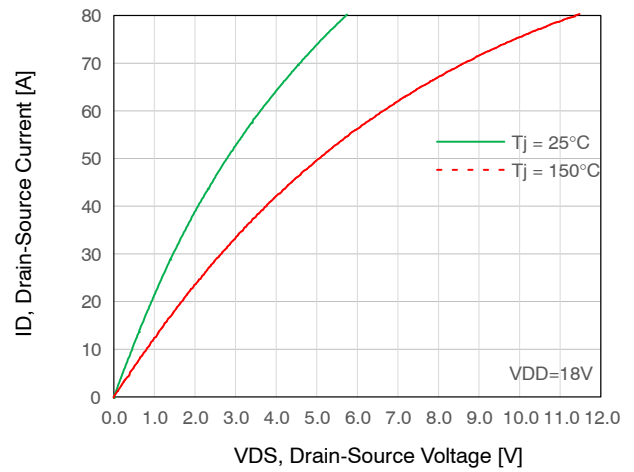


Figure 14. Drain-Source Saturation Voltage

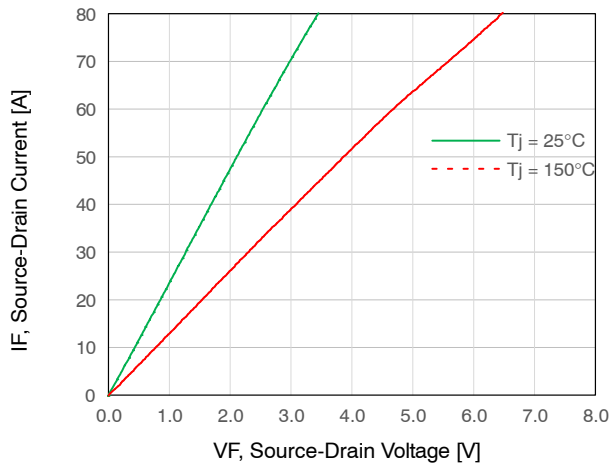


Figure 15. Typ. Source-Drain Forward Voltage

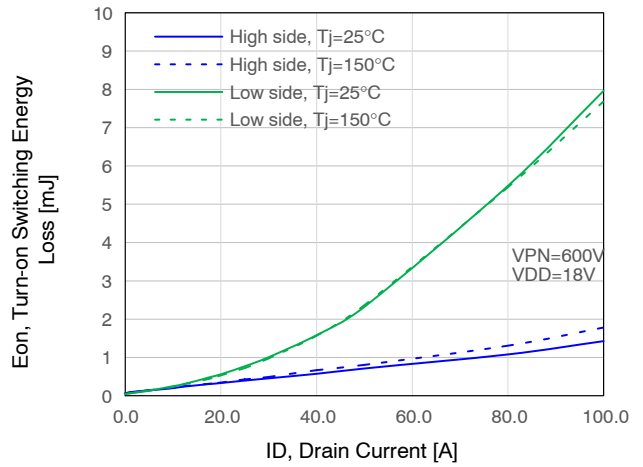


Figure 16. Typ. Turn-on Switching Energy Loss

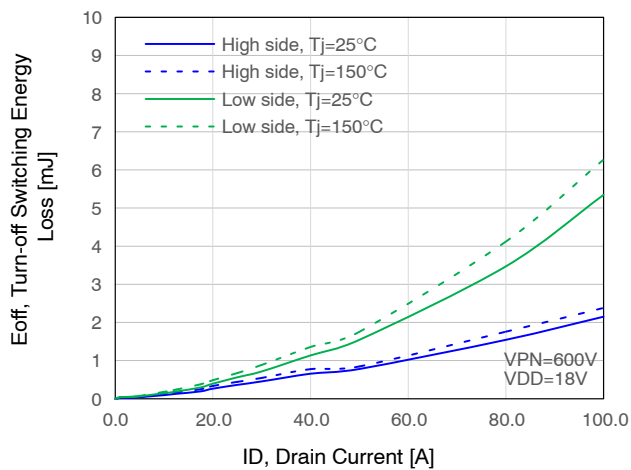


Figure 17. Typ. Turn-off Switching Energy Loss

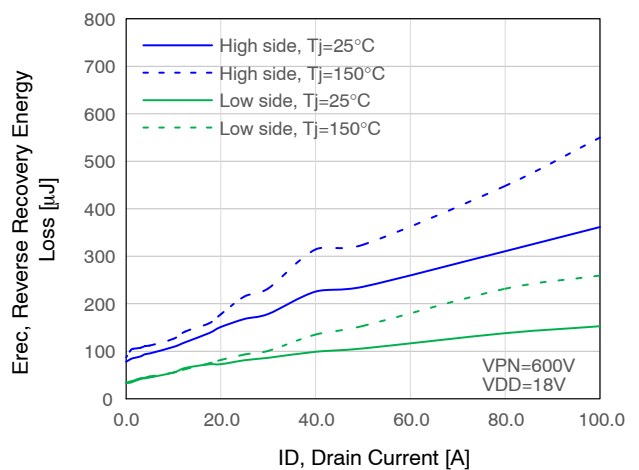


Figure 18. Typ. Reverse Recovery Energy Loss

NFAM5312SCBUT

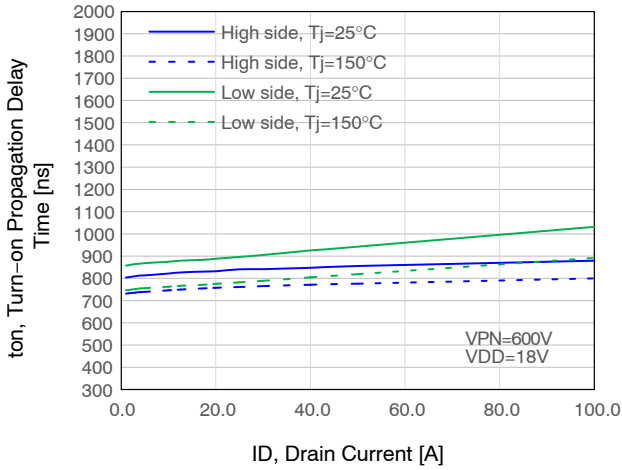


Figure 19. Typ. Turn-on Propagation Delay Time

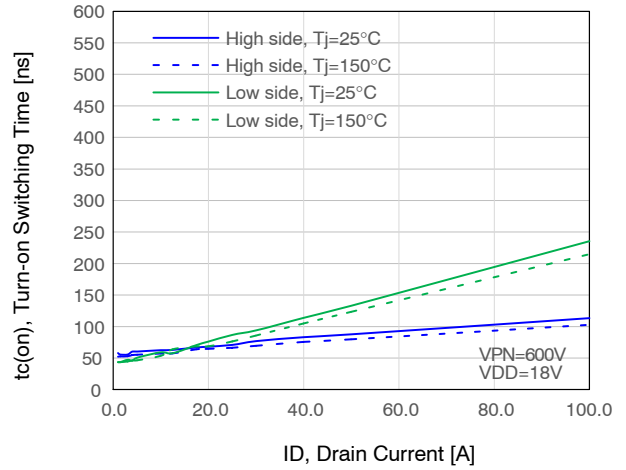


Figure 20. Typ. Turn-on Switching Time

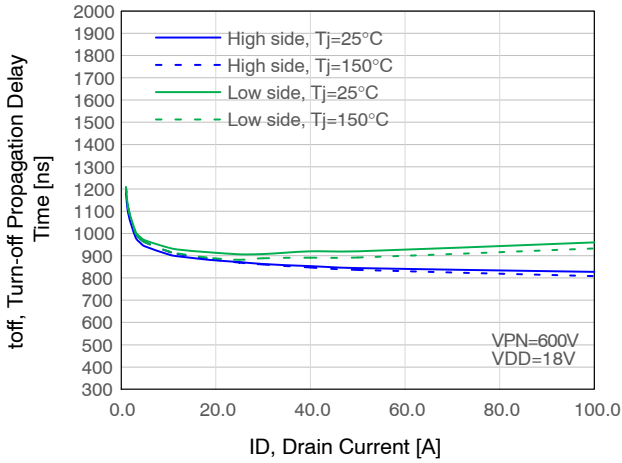


Figure 21. Typ. Turn off Propagation Delay Time

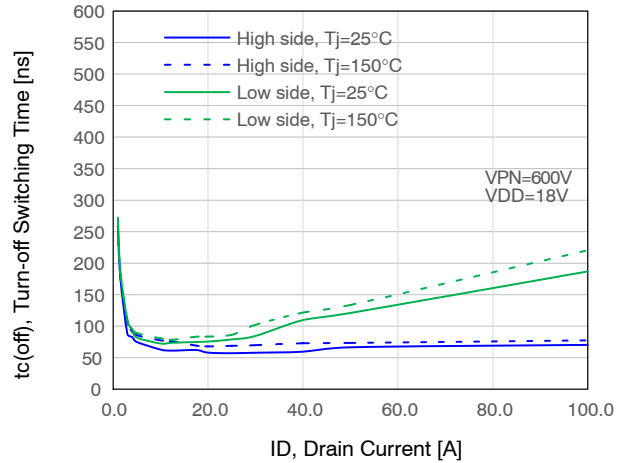


Figure 22. Typ. Turn off Switching Time

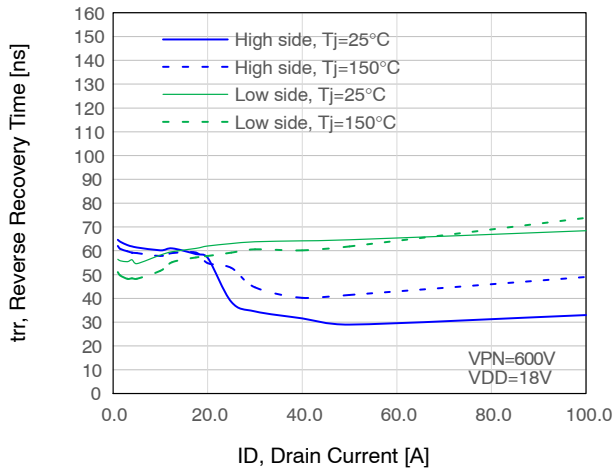


Figure 23. Typ. Reverse Recovery Time

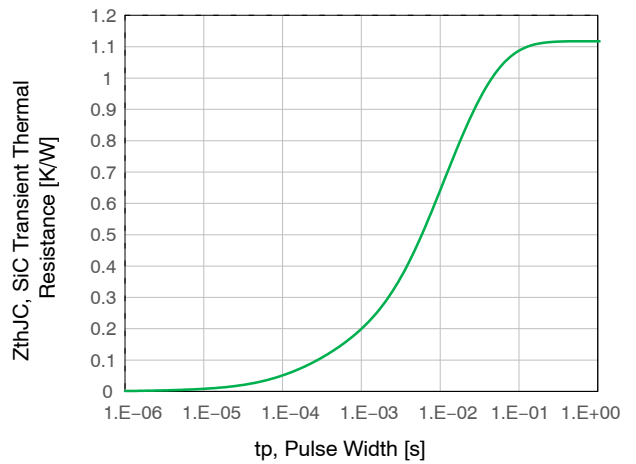


Figure 24. MOSFET Transient Thermal Resistance

NFAM5312SCBUT

TURN-ON/OFF SWITCHING WAVEFORM

Switching Condition: $V_{PN} = 600\text{ V}$, $V_{DD} = 18\text{ V}$, $T_j = 25\text{ }^\circ\text{C}$, $I_D = 40\text{ A}$.

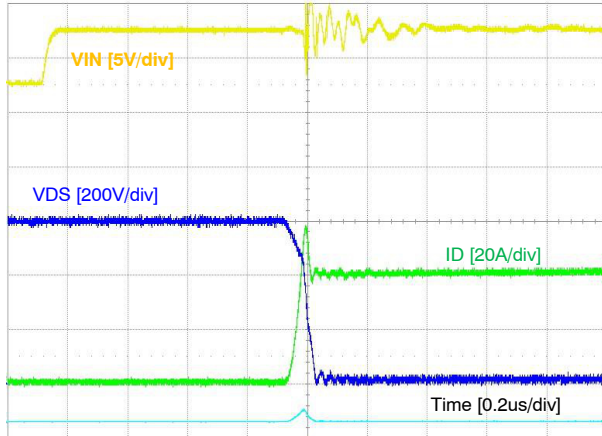


Figure 25. Turn-on Switching Waveform

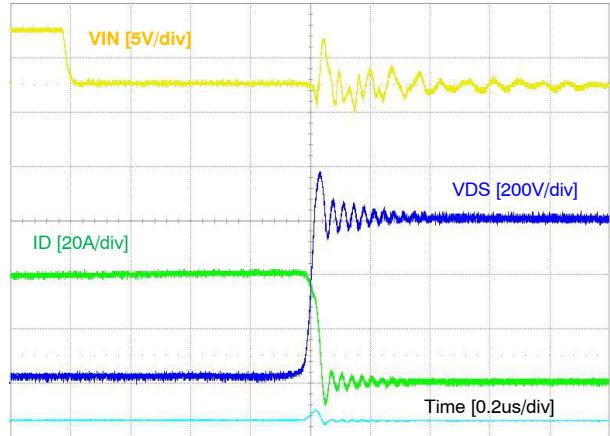


Figure 26. Turn-off Switching Waveform

Switching Condition: $V_{PN} = 600\text{ V}$, $V_{DD} = 18\text{ V}$, $T_j = 150\text{ }^\circ\text{C}$, $I_D = 40\text{ A}$.

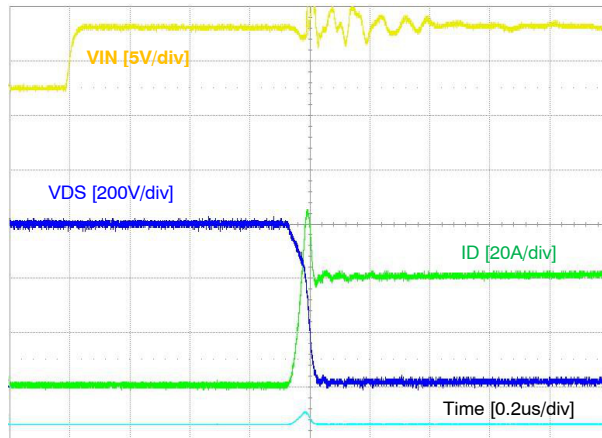


Figure 27. Turn-on Switching Waveform

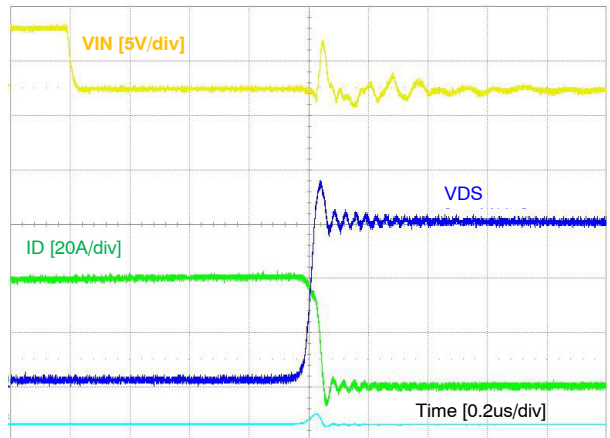
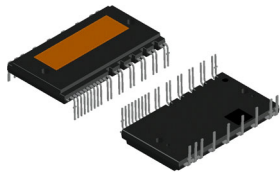


Figure 28. Turn-off Switching Waveform

NFAM5312SCBUT

REVISION HISTORY

Revision	Description of Changes	Date
0	Initial document version release.	2/6/2025
1	Update of Figure 5 (p.8) and Figure 12 (p.12).	7/4/2025
2	Figure 5 updated.	7/31/2025
3	Updated labels in Figure 4 and corrected typos.	3/3/2026
4	Aligned circuit note numbering with description notes and removed redundant comment (Figure 12).	5/12/2026



DIP39, 54.50x31.00x5.60, 1.78P
CASE MODGC
ISSUE C

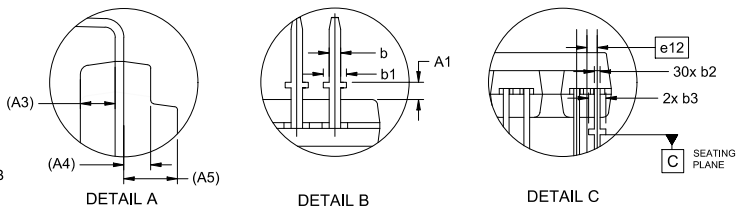
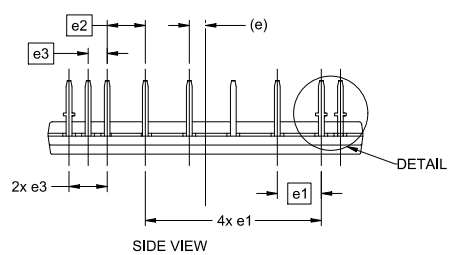
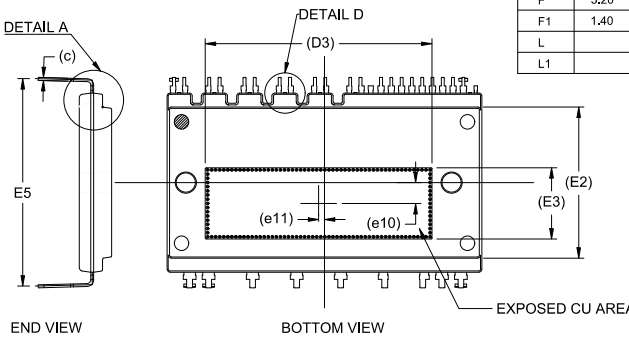
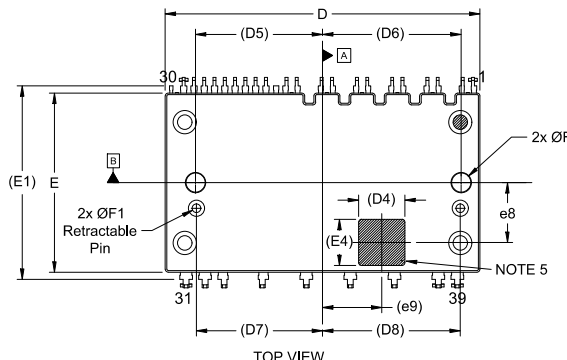
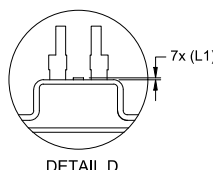
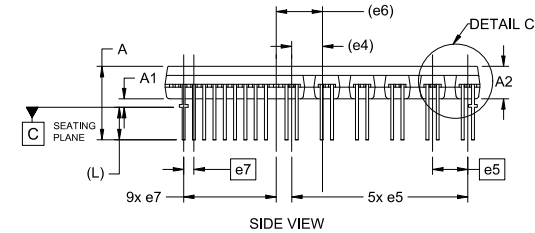
DATE 05 MAY 2025

NOTES:

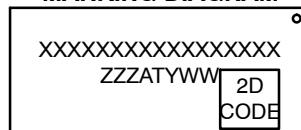
1. DIMENSIONING AND TOLERANCING PER ASME Y14.5M, 2009.
2. CONTROLLING DIMENSION: MILLIMETERS
3. DIMENSION b and c APPLY TO THE PLATED LEADS AND ARE MEASURED BETWEEN 1.00 AND 2.00 FROM THE LEAD TIP
4. POSITION OF THE LEAD IS DETERMINED AT THE BASE OF THE LEAD WHERE IT EXITS THE PACKAGE BODY
5. AREA FOR 2D BAR CODE
6. SHORTENED/CUT PINS ARE 2,5,8,11,14,17,19,29 AND 30
7. DIMENSIONS "D" AND "E" DO NOT INCLUDE THE SIDE FLASH PROTRUSION WHICH IS ~0.12 FOR EACH SIDE

DIM	MILLIMETERS		
	MIN.	NOM.	MAX.
A	12.20	12.7	13.2
A1	1.00	1.50	2.00
A2	5.50	5.60	5.70
A3	2.00 REF		
A4	1.55 REF		
A5	3.10 REF		
b	0.90	1.00	1.10
b1	1.90	2.00	2.10
b2	0.40	0.50	0.60
b3	1.40	1.50	1.60
c	0.50 REF		
D	54.40	54.50	54.60
D3	39.25 REF		
D4	8.00 REF		
D5	22.00 REF		
D6	24.00 REF		
D7	21.85 REF		
D8	23.85 REF		

DIM	MILLIMETERS		
	MIN.	NOM.	MAX.
E	30.90	31.00	31.10
E1	33.50 REF		
E2	26.14 REF		
E3	12.35 REF		
E4	8.00 REF		
E5	35.40	35.90	36.40
e	2.81 REF		
e1	7.62 BSC		
e2	6.60 BSC		
e3	3.30 BSC		
e4	5.35 REF		
e5	6.10 BSC		
e6	8.02 REF		
e7	1.78 BSC		
e8	10.35 REF		
e9	10.25 REF		
e10	3.60 REF		
e11	1.00 REF		
e12	0.89 BSC		
F	3.20	3.30	3.40
F1	1.40	1.50	1.60
L	5.60 REF		
L1	0.10 REF		



GENERIC MARKING DIAGRAM*



- XXXXX = Specific Device Code
- ZZZ = Assembly Lot Code
- AT = Assembly & Test Location
- Y = Year
- WW = Work Week

*This information is generic. Please refer to device data sheet for actual part marking. Pb-Free indicator, "G" or microdot "▪", may or may not be present. Some products may not follow the Generic Marking.

DOCUMENT NUMBER:	98AON91300G	Electronic versions are uncontrolled except when accessed directly from the Document Repository. Printed versions are uncontrolled except when stamped "CONTROLLED COPY" in red.
DESCRIPTION:	DIP39, 54.50x31.00x5.60, 1.78P	PAGE 1 OF 1

onsemi and Onsemi are trademarks of Semiconductor Components Industries, LLC dba onsemi or its subsidiaries in the United States and/or other countries. onsemi reserves the right to make changes without further notice to any products herein. onsemi makes no warranty, representation or guarantee regarding the suitability of its products for any particular purpose, nor does onsemi assume any liability arising out of the application or use of any product or circuit, and specifically disclaims any and all liability, including without limitation special, consequential or incidental damages. onsemi does not convey any license under its patent rights nor the rights of others.

onsemi, **Onsemi**, and other names, marks, and brands are registered and/or common law trademarks of Semiconductor Components Industries, LLC dba "**onsemi**" or its affiliates and/or subsidiaries in the United States and/or other countries. **onsemi** owns the rights to a number of patents, trademarks, copyrights, trade secrets, and other intellectual property. A listing of **onsemi**'s product/patent coverage may be accessed at www.onsemi.com/site/pdf/Patent-Marking.pdf. **onsemi** reserves the right to make changes at any time to any products or information herein, without notice. The information herein is provided "as-is" and **onsemi** makes no warranty, representation or guarantee regarding the accuracy of the information, product features, availability, functionality, or suitability of its products for any particular purpose, nor does **onsemi** assume any liability arising out of the application or use of any product or circuit, and specifically disclaims any and all liability, including without limitation special, consequential or incidental damages. Buyer is responsible for its products and applications using **onsemi** products, including compliance with all laws, regulations and safety requirements or standards, regardless of any support or applications information provided by **onsemi**. "Typical" parameters which may be provided in **onsemi** data sheets and/or specifications can and do vary in different applications and actual performance may vary over time. All operating parameters, including "Typicals" must be validated for each customer application by customer's technical experts. **onsemi** does not convey any license under any of its intellectual property rights nor the rights of others. **onsemi** products are not designed, intended, or authorized for use as a critical component in life support systems or any FDA Class 3 medical devices or medical devices with a same or similar classification in a foreign jurisdiction or any devices intended for implantation in the human body. Should Buyer purchase or use **onsemi** products for any such unintended or unauthorized application, Buyer shall indemnify and hold **onsemi** and its officers, employees, subsidiaries, affiliates, and distributors harmless against all claims, costs, damages, and expenses, and reasonable attorney fees arising out of, directly or indirectly, any claim of personal injury or death associated with such unintended or unauthorized use, even if such claim alleges that **onsemi** was negligent regarding the design or manufacture of the part. **onsemi** is an Equal Opportunity/Affirmative Action Employer. This literature is subject to all applicable copyright laws and is not for resale in any manner.

ADDITIONAL INFORMATION

TECHNICAL PUBLICATIONS:

Technical Library: www.onsemi.com/design/resources/technical-documentation
onsemi Website: www.onsemi.com

ONLINE SUPPORT: www.onsemi.com/support

For additional information, please contact your local Sales Representative at www.onsemi.com/support/sales