

2.5 V/3.3 V Differential 2 x 2 Crosspoint Switch with CML Outputs Clock/Data Buffer/Translator

Multi-Level Inputs w/ Internal Termination

NB7L72M

Description

The NB7L72M is a high bandwidth, low voltage, fully differential 2 x 2 crosspoint switch with CML outputs. The NB7L72M design is optimized for low skew and minimal jitter as it produces two identical copies of Clock or Data operating up to 7 GHz or 10 Gb/s, respectively. As such, the NB7L72M is ideal for SONET, GigE, Fiber Channel, Backplane and other clock/data distribution applications.

The differential IN/IN inputs incorporate internal 50 Ω termination resistors and will accept LVPECL, CML, or LVDS logic levels (see Figure 11). The 16 mA differential CML outputs provide matching internal 50 Ω terminations and produce 400 mV output swings when externally terminated with a 50 Ω resistor to V_{CC} (see Figure 9).

The NB7L72M is the 2.5 V/3.3 V version of the and NB7V72M and is offered in a low profile 3x3 mm 16-pin QFN package. Application notes, models, and support documentation are available at www.onsemi.com.

The NB7L72M is a member of the GigaComm™ family of high performance clock products.

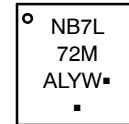
Features

- Maximum Input Data Rate > 10 Gb/s
- Data Dependent Jitter < 10 ps pk-pk
- Maximum Input Clock Frequency > 7 GHz
- Random Clock Jitter < 0.5 ps RMS, Max
- 150 ps Typical Propagation Delay
- 30 ps Typical Rise and Fall Times
- Differential CML Outputs, 400 mV peak-to-peak, typical
- Operating Range: V_{CC} = 2.375 V to 3.6 V with GND = 0 V
- Internal 50 Ω Input Termination Resistors
- QFN16 Package, 3mm x 3mm
- -40°C to +85°C Ambient Operating Temperature
- These are Pb-Free Devices



1
QFN16
MN SUFFIX
CASE 485G

MARKING DIAGRAM



- A = Assembly Location
- L = Wafer Lot
- Y = Year
- W = Work Week
- = Pb-Free Package

(Note: Microdot may be in either location)

*For additional marking information, refer to Application Note [AND8002/D](#).

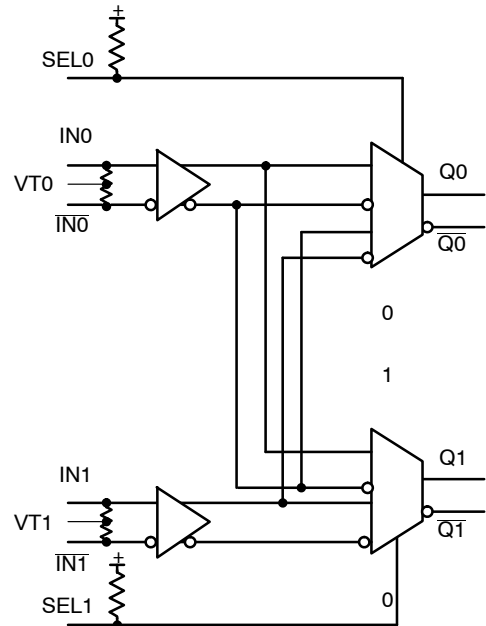


Figure 1. Logic Diagram₁

ORDERING INFORMATION

See detailed ordering and shipping information in the package dimensions section on page 8 of this data sheet.

NB7L72M

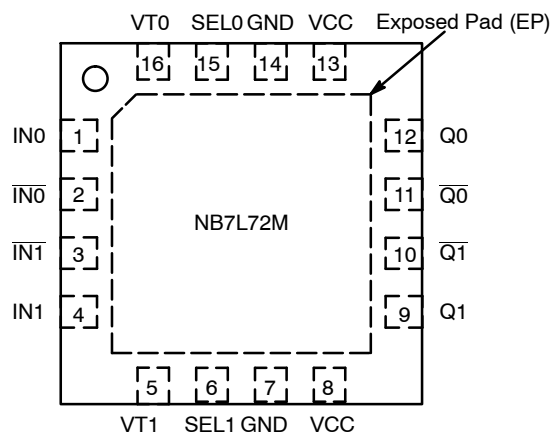


Figure 2. Pin Configuration (Top View)

Table 1. INPUT/OUTPUT SELECT TRUTH TABLE

SEL0*	SEL1*	Q0	Q1
L	L	IN0	IN0
L	H	IN0	IN1
H	L	IN1	IN0
H	H	IN1	IN1

*Defaults HIGH when left open

Table 2. PIN DESCRIPTION

Pin	Name	I/O	Description
1	IN0	LVPECL, CML, LVDS Input	Noninverted Differential Input. (Note 1)
2	IN0-bar	LVPECL, CML, LVDS Input	Inverted Differential Input. (Note 1)
3	IN1-bar	LVPECL, CML, LVDS Input	Inverted Differential Input. (Note 1)
4	IN1	LVPECL, CML, LVDS Input	Noninverted Differential Input. (Note 1)
5	VT1	-	Internal 50 Ω Termination Pin for IN1 and IN1-bar.
6	SEL1	LVC MOS Input	Input Select logic pin for IN0 or IN1 Inputs to Q1 output. See Table 1, Input/Output Select Truth Table; pin defaults HIGH when left open.
7	GND	-	Negative Supply Voltage
8	VCC	-	Positive Supply Voltage
9	Q1	CML Output	Noninverted Differential Output. (Note 1)
10	Q1-bar	CML Output	Inverted Differential Output. (Note 1)
11	Q0-bar	CML Output	Inverted Differential Output. (Note 1)
12	Q0	CML Output	Noninverted Differential Output. (Note 1)
13	VCC	-	Positive Supply Voltage
14	GND	-	Negative Supply Voltage
15	SEL0	LVC MOS Input	Input Select logic pin for IN0 or IN1 Inputs to Q0 output. See Table 1, Input/Output Select Truth Table; pin defaults HIGH when left open.
16	VT0	-	Internal 50 Ω Termination Pin for IN0 and IN0-bar
-	EP	-	The Exposed Pad (EP) on the QFN16 package bottom is thermally connected to the die for improved heat transfer out of package. The exposed pad must be attached to a heat-sinking conduit. The pad is electrically connected to the die, and is recommended to be electrically and thermally connected to GND on the PC board.

1. In the differential configuration when the input termination pins (VT0, VT1) are connected to a common termination voltage or left open, and if no signal is applied on INx/INx-bar input, then the device will be susceptible to self-oscillation.
2. All VCC and GND pins must be externally connected to a power supply for proper operation.

NB7L72M

Table 3. ATTRIBUTES

Characteristics	Value
ESD Protection Human Body Model Machine Model	> 4 kV > 200 V
R _{PU} – Input Pullup Resistor	75 kΩ
Moisture Sensitivity (Note 3) QFN16	Level 1
Flammability Rating Oxygen Index: 28 to 34	UL 94 V-0 @ 0.125 in
Transistor Count	212
Meets or exceeds JEDEC Spec EIA/JESD78 IC Latchup Test	

3. For additional information, see Application Note [AND8003/D](#).

Table 4. MAXIMUM RATINGS

Symbol	Parameter	Condition 1	Condition 2	Rating	Unit
V _{CC}	Positive Power Supply	GND = 0 V		4.0	V
V _{IN}	Positive Input Voltage	GND = 0 V		-0.5 to V _{CC} +0.5	V
V _{INPP}	Differential Input Voltage I _N – \bar{I}_N			1.89	V
I _{IN}	Input Current Through R _T (50 Ω Resistor)			±40	mA
I _{OUT}	Output Current Through R _T (50 Ω Resistor)			±40	mA
T _A	Operating Temperature Range			-40 to +85	°C
T _{stg}	Storage Temperature Range			-65 to +150	°C
θ _{JA}	Thermal Resistance (Junction-to-Ambient) (Note 4)	0 lfpm 500 lfpm	QFN16 QFN16	42 35	°C/W °C/W
θ _{JC}	Thermal Resistance (Junction-to-Case) (Note 4)		QFN16	4	°C/W
T _{sol}	Wave Solder Pb-Free			265	°C

Stresses exceeding those listed in the Maximum Ratings table may damage the device. If any of these limits are exceeded, device functionality should not be assumed, damage may occur and reliability may be affected.

4. JEDEC standard multilayer board – 2S2P (2 signal, 2 power) with 8 filled thermal vias under exposed pad.

NB7L72M

Table 5. DC CHARACTERISTICS, Multi-Level Inputs $V_{CC} = 2.375\text{ V to }3.6\text{ V}$, $GND = 0\text{ V}$, $T_A = -40^\circ\text{C to }+85^\circ\text{C}$ (Note 5)

Symbol	Characteristic	Min	Typ	Max	Unit
POWER SUPPLY CURRENT					
V_{CC}	Power Supply Voltage $V_{CC} = 2.5\text{ V}$ $V_{CC} = 3.3\text{ V}$	2.375 3.0	2.5 3.3	2.625 3.6	V
I_{CC}	Power Supply Current (Inputs and Outputs Open)	80	135	175	mA
CML OUTPUTS					
V_{OH}	Output HIGH Voltage (Note 6) $V_{CC} = 3.3\text{ V}$ $V_{CC} = 2.5\text{ V}$	$V_{CC} - 40$ 3260 2460	$V_{CC} - 20$ 3280 2480	V_{CC} 3300 2500	mV
V_{OL}	Output LOW Voltage (Note 6) $V_{CC} = 3.3\text{ V}$ $V_{CC} = 2.5\text{ V}$	$V_{CC} - 650$ 2650 $V_{CC} - 600$ 1900	$V_{CC} - 500$ 2800 $V_{CC} - 500$ 2000	$V_{CC} - 400$ 2900 $V_{CC} - 350$ 2150	mV
DIFFERENTIAL CLOCK INPUTS DRIVEN SINGLE-ENDED (Note 7) (Figures 5 and 7)					
V_{th}	Input Threshold Reference Voltage Range (Note 8)	1050		$V_{CC} - 100$	mV
V_{IH}	Single-Ended Input HIGH Voltage	$V_{th} + 100$		V_{CC}	mV
V_{IL}	Single-Ended Input LOW Voltage	GND		$V_{th} - 100$	mV
V_{ISE}	Single-Ended Input Voltage ($V_{IH} - V_{IL}$)	200		2800	mV
DIFFERENTIAL DATA/CLOCK INPUTS DRIVEN DIFFERENTIALLY (Figures 6 and 8) (Note 9)					
V_{IHD}	Differential Input HIGH Voltage (IN_n, \overline{IN}_n)	1100		V_{CC}	mV
V_{ILD}	Differential Input LOW Voltage (IN_n, \overline{IN}_n)	GND		$V_{CC} - 100$	mV
V_{ID}	Differential Input Voltage (IN_n, \overline{IN}_n) ($V_{IHD} - V_{ILD}$)	100		1200	mV
V_{CMR}	Input Common Mode Range (Differential Configuration, Note 10) (Figure 9)	950		$V_{CC} - 50$	mV
I_{IH}	Input HIGH Current IN_n, \overline{IN}_n ($V_{TIN}/\overline{V_{TIN}}$ Open)	-150		150	μA
I_{IL}	Input LOW Current IN_n, \overline{IN}_n ($V_{TIN}/\overline{V_{TIN}}$ Open)	-150		150	μA
CONTROL INPUTS (SEL0, SEL1)					
V_{IH}	Input HIGH Voltage for Control Pins	2.0		V_{CC}	V
V_{IL}	Input LOW Voltage for Control Pins	GND		0.8	V
I_{IH}	Input HIGH Current	-150		150	μA
I_{IL}	Input LOW Current	-150		150	μA
TERMINATION RESISTORS					
R_{TIN}	Internal Input Termination Resistor	40	50	60	Ω
R_{TOUT}	Internal Output Termination Resistor	40	50	60	Ω

NOTE: Device will meet the specifications after thermal equilibrium has been established when mounted in a test socket or printed circuit board with maintained transverse airflow greater than 500 lpm.

- Input and output parameters vary 1:1 with V_{CC} .
- CML outputs loaded with $50\ \Omega$ to V_{CC} for proper operation.
- V_{th} , V_{IH} , V_{IL} , and V_{ISE} parameters must be complied with simultaneously.
- V_{th} is applied to the complementary input when operating in single-ended mode.
- V_{IHD} , V_{ILD} , V_{ID} , and V_{CMR} parameters must be complied with simultaneously.
- V_{CMR} min varies 1:1 with GND, V_{CMR} max varies 1:1 with V_{CC} . The V_{CMR} range is referenced to the most positive side of the differential input signal.

NB7L72M

Table 6. AC CHARACTERISTICS $V_{CC} = 2.375\text{ V to }3.6\text{ V}$, $GND = 0\text{ V}$, $T_A = -40^\circ\text{C to }85^\circ\text{C}$ (Note 11)

Symbol	Characteristic	Min	Typ	Max	Unit
f_{MAX}	Maximum Input Clock Frequency $V_{OUT} \geq 250\text{ mV}$ $V_{OUT} \geq 200\text{ mV}$	7.0 8.5			GHz
$f_{DATAMAX}$	Maximum Operating Data Rate (PRBS23)	10			Gbps
V_{OUTPP}	Output Voltage Amplitude (@ $V_{INPPmin}$) (See Figures 3 and 10, Note 12)	200	400		mV
t_{PLH} , t_{PHL}	Propagation Delay to Differential Outputs, @ 1GHz, Measured at Differential Cross-point $I_{Nn}/I_{N\bar{n}}$ to $Q_n/Q_{\bar{n}}$ SEL_n to $Q_n/Q_{\bar{n}}$	110	150	180	ps
$t_{PLH\ TC}$	Propagation Delay Temperature Coefficient		50		$\Delta fs/^\circ C$
t_{SKEW}	Output-to-Output Skew (within device) (Note 13) Device-to-Device Skew ($t_{pdmax} - t_{pdmin}$)			10 20	ps
t_{DC}	Output Clock Duty Cycle (Reference Duty Cycle = 50%) $f_{in} \leq 8.5\text{GHz}$	45	50	55	%
t_{jitter}	RJ – Output Random Jitter (Note 14) DJ – Deterministic Jitter (Note 15)		0.2	0.5 10	ps RMS ps pk-pk
V_{INPP}	Input Voltage Swing (Differential Configuration) (Note 16)	100		1200	mV
t_r , t_f	Output Rise/Fall Times @ 1 GHz (20% – 80%), Q, \bar{Q}	25	30	50	ps

NOTE: Device will meet the specifications after thermal equilibrium has been established when mounted in a test socket or printed circuit board with maintained transverse airflow greater than 500 lfm.

11. Measured using a 400 mV source, 50% duty cycle clock source. All output loading with external $50\ \Omega$ to V_{CC} . Input edge rates ≥ 40 ps (20% – 80%).
12. Output voltage swing is a single-ended measurement operating in differential mode.
13. Skew is measured between outputs under identical transitions and conditions. Duty cycle skew is defined only for differential operation when the delays are measured from cross-point of the inputs to the cross-point of the outputs.
14. Additive RMS jitter with 50% duty cycle clock signal.
15. Additive Peak-to-Peak data dependent jitter with input NRZ data at PRBS23.
16. Input voltage swing is a single-ended measurement operating in differential mode.

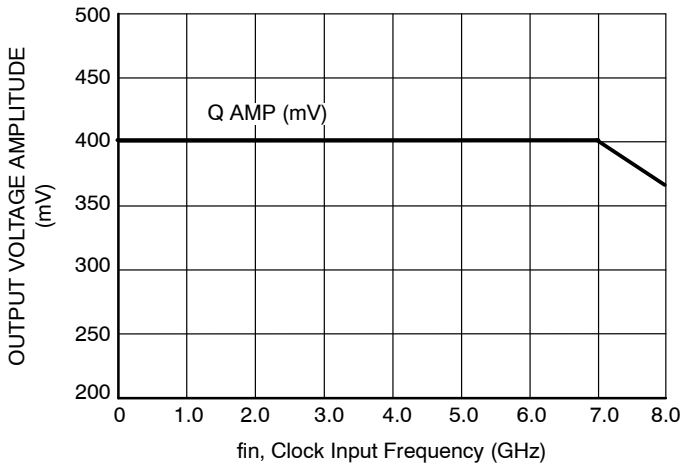


Figure 3. CLOCK Output Voltage Amplitude (V_{OUTPP}) vs. Input Frequency (f_{in}) at Ambient Temperature (Typ)

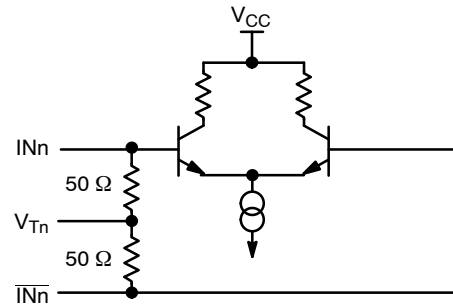


Figure 4. Input Structure

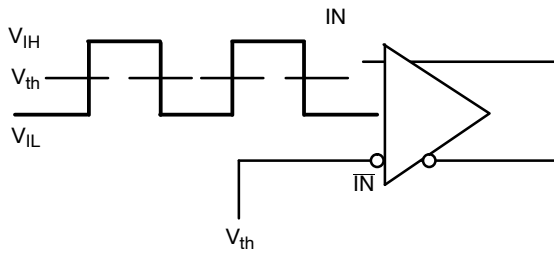


Figure 5. Differential Input Driven Single-Ended

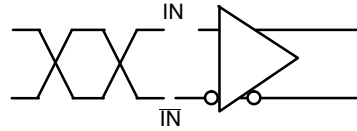


Figure 6. Differential Inputs Driven Differentially

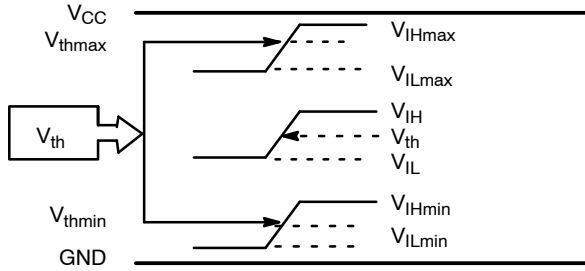


Figure 7. V_{th} Diagram

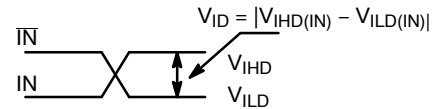


Figure 8. Differential Inputs Driven Differentially

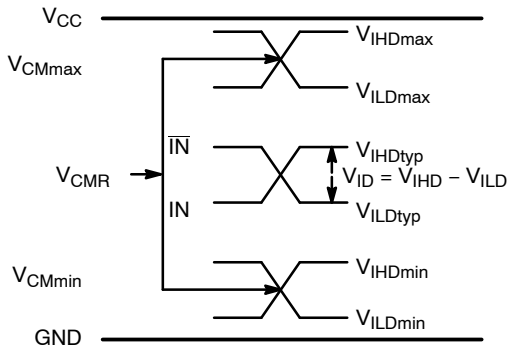


Figure 9. V_{CMR} Diagram

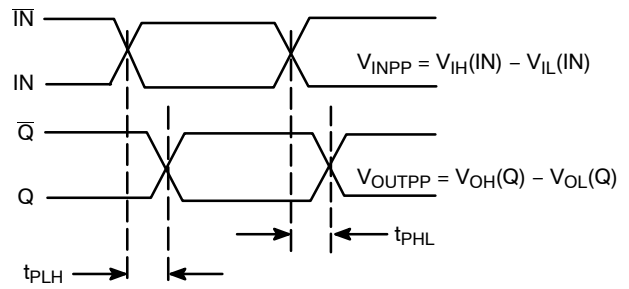


Figure 10. AC Reference Measurement

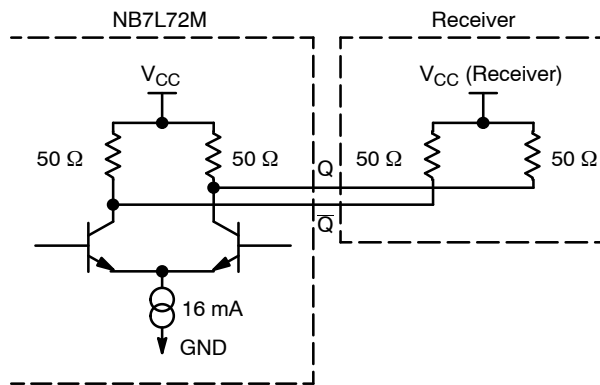


Figure 11. Typical CML Output Structure and Termination

NB7L72M

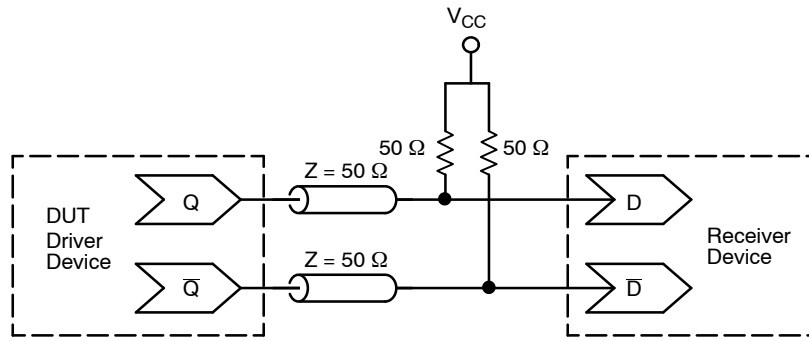


Figure 12. Typical Termination for CML Output Driver and Device Evaluation

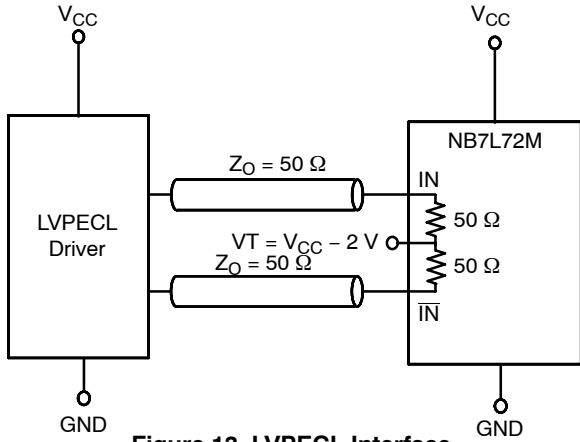


Figure 13. LVPECL Interface

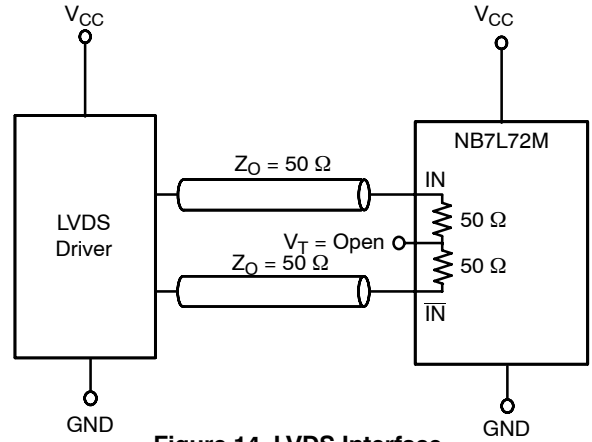


Figure 14. LVDS Interface

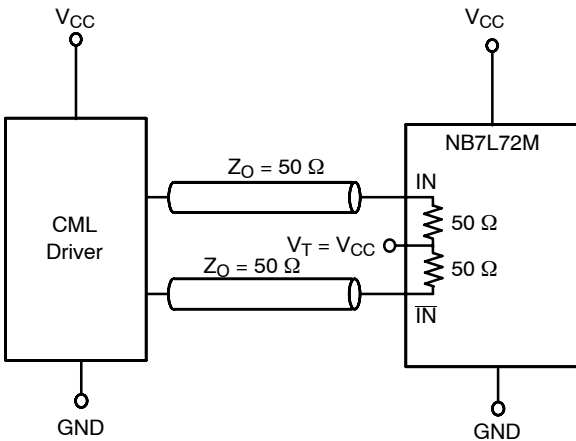


Figure 15. Standard 50 Ω Load CML Interface

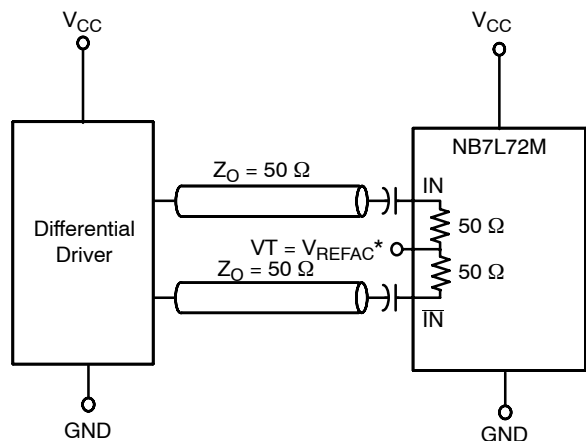


Figure 16. Capacitor-Coupled Differential Interface
(VT Connected to External V_{REFAC})

* V_{REFAC} bypassed to ground with a 0.01 μ F capacitor

NB7L72M

ORDERING INFORMATION

Device	Package	Shipping [†]
NB7L72MMNG	QFN16 (Pb-free)	123 Units / Tube
NB7L72MMNHTBG	QFN16 (Pb-free)	100 / Tape & Reel

[†]For information on tape and reel specifications, including part orientation and tape sizes, please refer to our Tape and Reel Packaging Specifications Brochure, [BRD8011/D](#).

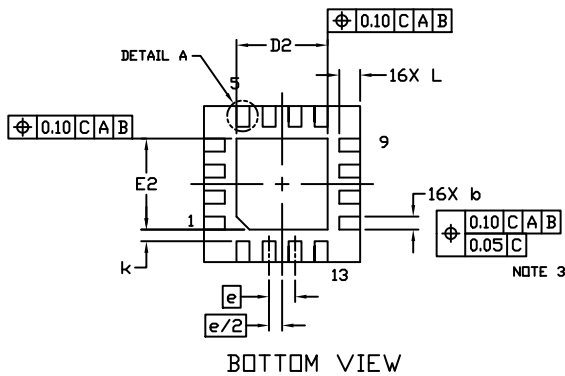
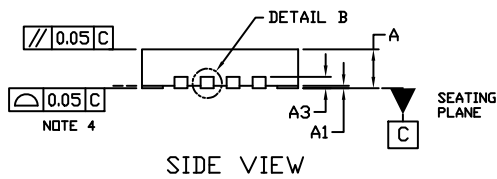
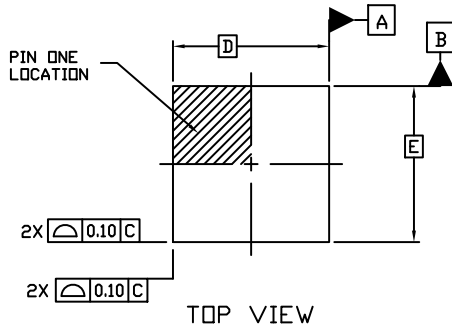
MECHANICAL CASE OUTLINE PACKAGE DIMENSIONS



SCALE 2:1

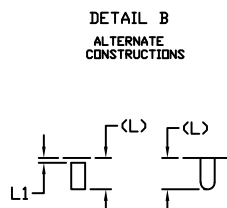
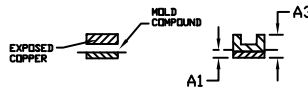
QFN16 3x3, 0.5P
CASE 485G
ISSUE G

DATE 08 OCT 2021



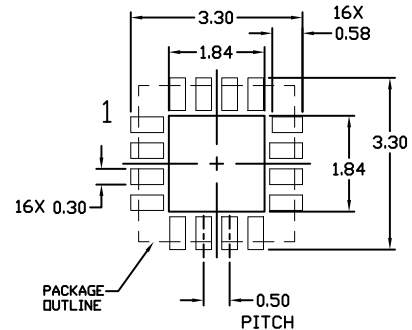
NOTES:

1. DIMENSIONING AND TOLERANCING PER ASME Y14.5M, 1994.
2. CONTROLLING DIMENSION: MILLIMETERS
3. DIMENSION *b* APPLIES TO PLATED TERMINAL AND IS MEASURED BETWEEN 0.15 AND 0.30 MM FROM THE TERMINAL TIP.
4. COPLANARITY APPLIES TO THE EXPOSED PAD AS WELL AS THE TERMINALS.

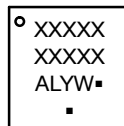


DIM	MILLIMETERS		
	MIN.	NDM.	MAX.
A	0.80	0.90	1.00
A1	0.00	0.03	0.05
A3	0.20 REF		
<i>b</i>	0.18	0.24	0.30
D	3.00 BSC		
D2	1.65	1.75	1.85
E	3.00 BSC		
E2	1.65	1.75	1.85
<i>e</i>	0.50 BSC		
<i>k</i>	0.18 TYP		
L	0.30	0.40	0.50
L1	0.00	0.08	0.15

MOUNTING FOOTPRINT



GENERIC MARKING DIAGRAM*



- XXXXX = Specific Device Code
- A = Assembly Location
- L = Wafer Lot
- Y = Year
- W = Work Week
- = Pb-Free Package

(Note: Microdot may be in either location)

*This information is generic. Please refer to device data sheet for actual part marking. Pb-Free indicator, "G" or microdot "▪", may or may not be present. Some products may not follow the Generic Marking.

DOCUMENT NUMBER:	98AON04795D	Electronic versions are uncontrolled except when accessed directly from the Document Repository. Printed versions are uncontrolled except when stamped "CONTROLLED COPY" in red.
DESCRIPTION:	QFN16 3X3, 0.5P	PAGE 1 OF 1

onsemi and onsemi are trademarks of Semiconductor Components Industries, LLC dba onsemi or its subsidiaries in the United States and/or other countries. onsemi reserves the right to make changes without further notice to any products herein. onsemi makes no warranty, representation or guarantee regarding the suitability of its products for any particular purpose, nor does onsemi assume any liability arising out of the application or use of any product or circuit, and specifically disclaims any and all liability, including without limitation special, consequential or incidental damages. onsemi does not convey any license under its patent rights nor the rights of others.

onsemi, **Onsemi**, and other names, marks, and brands are registered and/or common law trademarks of Semiconductor Components Industries, LLC dba "**onsemi**" or its affiliates and/or subsidiaries in the United States and/or other countries. **onsemi** owns the rights to a number of patents, trademarks, copyrights, trade secrets, and other intellectual property. A listing of **onsemi**'s product/patent coverage may be accessed at www.onsemi.com/site/pdf/Patent-Marking.pdf. **onsemi** reserves the right to make changes at any time to any products or information herein, without notice. The information herein is provided "as-is" and **onsemi** makes no warranty, representation or guarantee regarding the accuracy of the information, product features, availability, functionality, or suitability of its products for any particular purpose, nor does **onsemi** assume any liability arising out of the application or use of any product or circuit, and specifically disclaims any and all liability, including without limitation special, consequential or incidental damages. Buyer is responsible for its products and applications using **onsemi** products, including compliance with all laws, regulations and safety requirements or standards, regardless of any support or applications information provided by **onsemi**. "Typical" parameters which may be provided in **onsemi** data sheets and/or specifications can and do vary in different applications and actual performance may vary over time. All operating parameters, including "Typicals" must be validated for each customer application by customer's technical experts. **onsemi** does not convey any license under any of its intellectual property rights nor the rights of others. **onsemi** products are not designed, intended, or authorized for use as a critical component in life support systems or any FDA Class 3 medical devices or medical devices with a same or similar classification in a foreign jurisdiction or any devices intended for implantation in the human body. Should Buyer purchase or use **onsemi** products for any such unintended or unauthorized application, Buyer shall indemnify and hold **onsemi** and its officers, employees, subsidiaries, affiliates, and distributors harmless against all claims, costs, damages, and expenses, and reasonable attorney fees arising out of, directly or indirectly, any claim of personal injury or death associated with such unintended or unauthorized use, even if such claim alleges that **onsemi** was negligent regarding the design or manufacture of the part. **onsemi** is an Equal Opportunity/Affirmative Action Employer. This literature is subject to all applicable copyright laws and is not for resale in any manner.

ADDITIONAL INFORMATION

TECHNICAL PUBLICATIONS:

Technical Library: www.onsemi.com/design/resources/technical-documentation
onsemi Website: www.onsemi.com

ONLINE SUPPORT: www.onsemi.com/support

For additional information, please contact your local Sales Representative at www.onsemi.com/support/sales