

ON Semiconductor

Is Now

onsemi™

To learn more about onsemi™, please visit our website at
www.onsemi.com

onsemi and **onsemi** and other names, marks, and brands are registered and/or common law trademarks of Semiconductor Components Industries, LLC dba "**onsemi**" or its affiliates and/or subsidiaries in the United States and/or other countries. **onsemi** owns the rights to a number of patents, trademarks, copyrights, trade secrets, and other intellectual property. A listing of **onsemi** product/patent coverage may be accessed at www.onsemi.com/site/pdf/Patent-Marking.pdf. **onsemi** reserves the right to make changes at any time to any products or information herein, without notice. The information herein is provided "as-is" and **onsemi** makes no warranty, representation or guarantee regarding the accuracy of the information, product features, availability, functionality, or suitability of its products for any particular purpose, nor does **onsemi** assume any liability arising out of the application or use of any product or circuit, and specifically disclaims any and all liability, including without limitation special, consequential or incidental damages. Buyer is responsible for its products and applications using **onsemi** products, including compliance with all laws, regulations and safety requirements or standards, regardless of any support or applications information provided by **onsemi**. "Typical" parameters which may be provided in **onsemi** data sheets and/or specifications can and do vary in different applications and actual performance may vary over time. All operating parameters, including "Typicals" must be validated for each customer application by customer's technical experts. **onsemi** does not convey any license under any of its intellectual property rights nor the rights of others. **onsemi** products are not designed, intended, or authorized for use as a critical component in life support systems or any FDA Class 3 medical devices or medical devices with a same or similar classification in a foreign jurisdiction or any devices intended for implantation in the human body. Should Buyer purchase or use **onsemi** products for any such unintended or unauthorized application, Buyer shall indemnify and hold **onsemi** and its officers, employees, subsidiaries, affiliates, and distributors harmless against all claims, costs, damages, and expenses, and reasonable attorney fees arising out of, directly or indirectly, any claim of personal injury or death associated with such unintended or unauthorized use, even if such claim alleges that **onsemi** was negligent regarding the design or manufacture of the part. **onsemi** is an Equal Opportunity/Affirmative Action Employer. This literature is subject to all applicable copyright laws and is not for resale in any manner. Other names and brands may be claimed as the property of others.

LV3313PM

Electronic Volume for Car Audio Systems



ON Semiconductor®

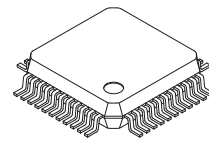
www.onsemi.com

Overview

The LV3313PM is an electronic volume IC that implements a rich set of audio control functions including input selection switching function, an input gain, volume, loudness, balance, fader, and bass/treble control.

Features

- Zero-cross switching circuits (Input gain control block and Volume control block) can switch signal detection location automatically.
- Zero-cross switching circuits (Input gain control block and Volume control block) and soft mute circuits used for low noise even when input signals are present.
- Low power consumption due to the use of BiMOS process.
- All functions are controlled using serial data (CCB*).



PQFP44 10x10 / QIP44M

Functions

- Input selector :
Four input signals can be selected (three single-ended inputs and one differential input).
- Input gain control :
The input signal can be amplified by 0 dB to +18 dB (1 dB steps).
- Loudness control :
Taps are output starting at the -32 dB position of the ladder resistor and a loudness function implemented with external capacitor and resistor components.
- Volume control : +10 dB to -79 dB / -∞ (1 dB steps)
L/R independent control.
- Bass control : +12 dB to -12 dB in 2 dB steps
- Treble control : +12 dB to -12 dB in 2 dB steps
- Fader control :
The fader volume can be attenuations by one of 16 levels. Independent control each four channels. (A total of 16 settings with attenuations of 0 dB to -2 dB in 1 dB steps, -2 dB to -20 dB in 2 dB steps, and -30 dB, -45 dB, -60 dB and -∞ dB settings.)
- Mute

* Computer Control Bus (CCB) is an ON Semiconductor's original bus format and the bus addresses are controlled by ON Semiconductor.

ORDERING INFORMATION

See detailed ordering and shipping information on page 19 of this data sheet.

LV3313PM

Specifications

Absolute Maximum Ratings at $T_a = 25^\circ\text{C}$, $V_{SS} = 0\text{ V}$

Parameter	Symbol	Conditions	Ratings	Unit
Maximum supply voltage	V_{DD} max	V_{DD}	9.5	V
Maximum input voltage	V_{IN} max	All input pins	$V_{SS}-0.3$ to V_{DD}	V
Allowable power dissipation	P_d max	$T_a \leq 85^\circ\text{C}$, when mounted on a printed circuit board *	600	mW
Operating temperature	T_{opr}		-40 to +85	$^\circ\text{C}$
Storage temperature	T_{stg}		-50 to +125	$^\circ\text{C}$

* Specified circuit board : 114.3 × 76.1 × 1.6 mm : glass epoxy board

Stresses exceeding those listed in the Maximum Ratings table may damage the device. If any of these limits are exceeded, device functionality should not be assumed, damage may occur and reliability may be affected.

Allowable Operating Ratings at $T_a = 25^\circ\text{C}$, $V_{SS} = 0\text{ V}$

Parameter	Symbol	Conditions	Ratings			Unit
			min	typ	max	
Supply voltage	V_{DD}	V_{DD}	7.0	8.0	9.0	V
High-level input voltage	V_{IH}	CL, DI, CE	3.0		5.5	V
Low-level input voltage	V_{IL}	CL, DI, CE	V_{SS}		1.0	V
Input voltage amplitude	V_{IN}		V_{SS}		V_{DD}	Vp-p
Input pulse width	$T_{\phi W}$	CL	1			μs
Setup time	T_{setup}	CL, DI, CE	1			μs
Hold time	T_{hold}	CL, DI, CE	1			μs
Operating frequency	fopg	CL			500	kHz
Rising time	t_r	CL, DI, CE			0.1/fopg	s
Falling time	t_f					

Functional operation above the stresses listed in the Recommended Operating Ranges is not implied. Extended exposure to stresses beyond the Recommended Operating Ranges limits may affect device reliability.

Electrical Characteristics at $T_a = 25^\circ\text{C}$, $V_{DD} = 8\text{ V}$, $V_{SS} = 0\text{ V}$

Parameter	Symbol	Conditions	Ratings			Unit
			min	typ	max	
Input block						
Input resistance	R_{in}	L1-L3, R1-R3	35	50	65	$\text{k}\Omega$
Minimum input gain	G_{in} min	L1-L3, R1-R3	-1.0	0	+1.0	dB
Maximum input gain	G_{i} max		+17	+18	+19	dB
Inter-step setting error	A_{Terr}		-1.0		+1.0	dB
Left/Right balance	BAL		-0.5		+0.5	dB
Volume block						
Input resistance	R_{vr}	LVRIN, RVRIN	35	50	65	$\text{k}\Omega$
Inter-step setting error	A_{Terr}	+10 dB to -40 dB	-0.5		+0.5	dB
Left/Right balance	BAL		-0.5		+0.5	dB
Bass block						
Bass control range	G_b max	max. boost/cut	± 10	± 12	± 14	dB
Inter-step setting error	A_{Terr}	-10 dB to +10 dB	-0.5		+0.5	dB
Left/Right balance	BAL		-0.5		+0.5	dB
Treble block						
Treble control range	G_b max	max. boost/cut	± 10	± 12	± 14	dB
Inter-step setting error	A_{Terr}	-10 dB to +10 dB	-0.5		+0.5	dB
Left/Right balance	BAL		-0.5		+0.5	dB
Fader block						
Input resistance	R_{fed}		35	50	65	$\text{k}\Omega$
Inter-step setting error	A_{Terr}	0 dB to -2 dB	-0.5		+0.5	dB
		-4 dB to -20 dB	-1.0		+1.0	dB
		-30 dB	-2.0		+2.0	dB
		-45 dB	-3.0		+3.0	dB
Left/Right balance	BAL	0 dB to -30 dB	-0.5		+0.5	dB

Product parametric performance is indicated in the Electrical Characteristics for the listed test conditions, unless otherwise noted. Product performance may not be indicated by the Electrical Characteristics if operated under different conditions.

LV3313PM

Overall Characteristics at $T_a = 25^\circ\text{C}$, $V_{DD} = 8\text{ V}$, $V_{SS} = 0\text{ V}$

Parameter	Symbol	Conditions	Ratings			Unit
			min	typ	max	
A loss of insertion	ATT		-1.0		+1.0	dB
Total harmonic distortion	THD	$V_{IN} = 1\text{ V}_{rms}$, $f = 1\text{ kHz}$		0.004	0.01	%
Inter-input crosstalk	CT	$V_{IN} = 1\text{ V}_{rms}$, $f = 1\text{ kHz}$	80	88		dB
Left/Right channel crosstalk	CT	$V_{IN} = 1\text{ V}_{rms}$, $f = 1\text{ kHz}$	80	88		dB
Maximum attenuation	V_O min	$V_{IN} = 1\text{ V}_{rms}$, $f = 1\text{ kHz}$	80	88		dB
Output noise voltage	V_N			10	25	μV
Current drain	I_{DD}			16	23	mA
Input high-level current	I_{IH}	CL, DI, CE, $V_{IN} = 5.5\text{ V}$			10	μA
Input low-level current	I_{IL}	CL, DI, CE, $V_{IN} = 0\text{ V}$	-10			μA
Maximum input voltage	VCL	THD = 1% $R_L = 10\text{ k}\Omega$ all controls flat, $f_{IN} = 1\text{ kHz}$		2.2		V_{rms}
Common-mode rejection ratio	CMRR	$V_{IN} = 1\text{ V}_{rms}$, $f = 1\text{ kHz}$		50		dB

LV3313PM

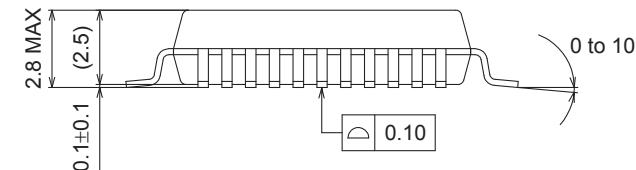
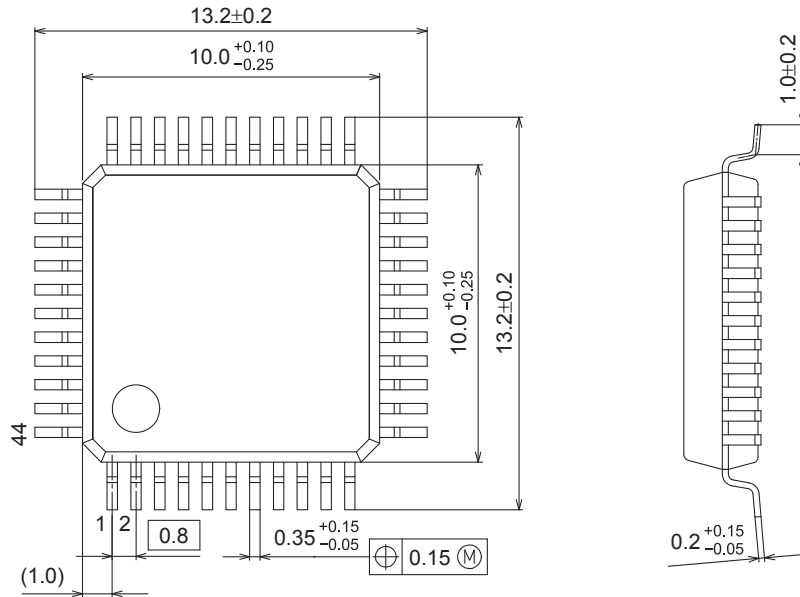
Package Dimensions

unit : mm

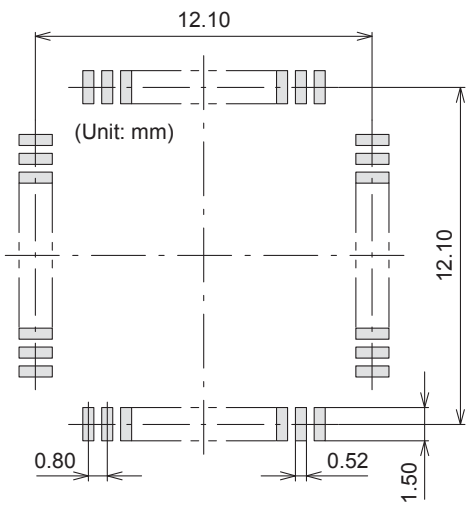
PQFP44 10x10 / QIP44M

CASE 122BK

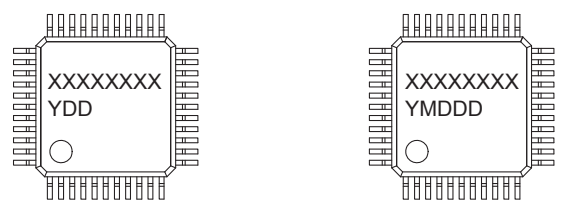
ISSUE A



SOLDERING FOOTPRINT*



GENERIC MARKING DIAGRAM*



XXXXXX = Specific Device Code
 Y = Year
 DD = Additional Traceability Data

XXXXXX = Specific Device Code
 Y = Year
 M = Month
 DDD = Additional Traceability Data

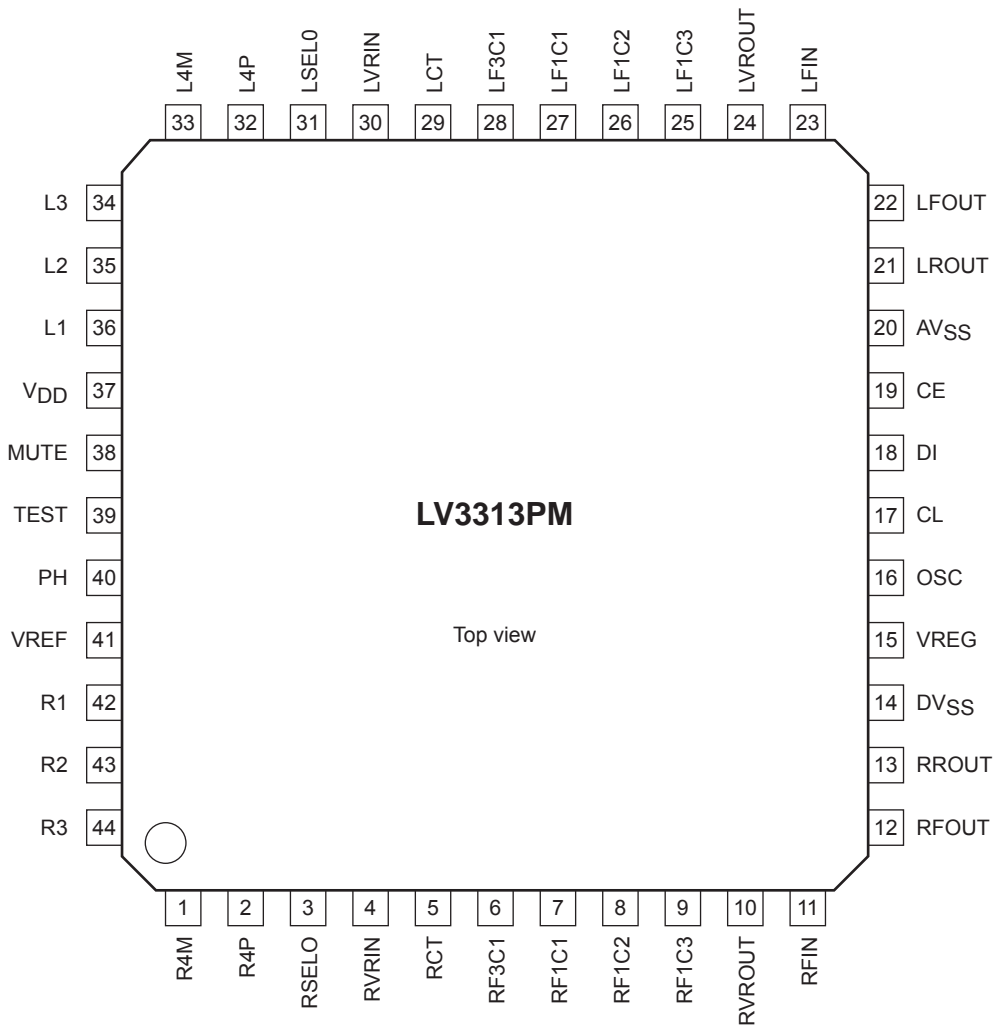
*This information is generic.
 Pb-Free indicator, "G" or microdot "▪", may or may not be present.

NOTE: The measurements are not to guarantee but for reference only.

*For additional information on our Pb-Free strategy and soldering details, please download the ON Semiconductor Soldering and Mounting Techniques Reference Manual, SOLDERRM/D.

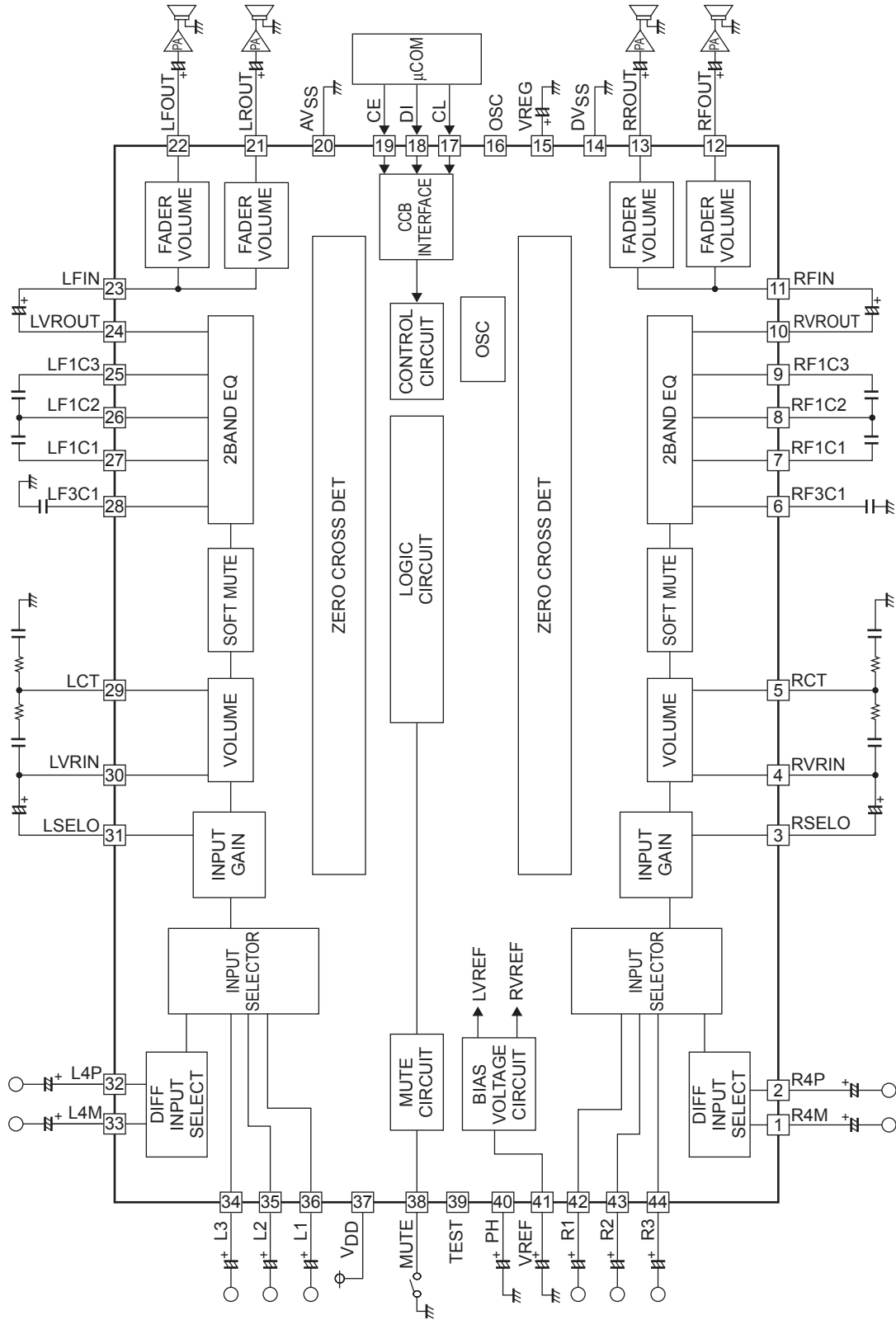
LV3313PM

Pin Assignment



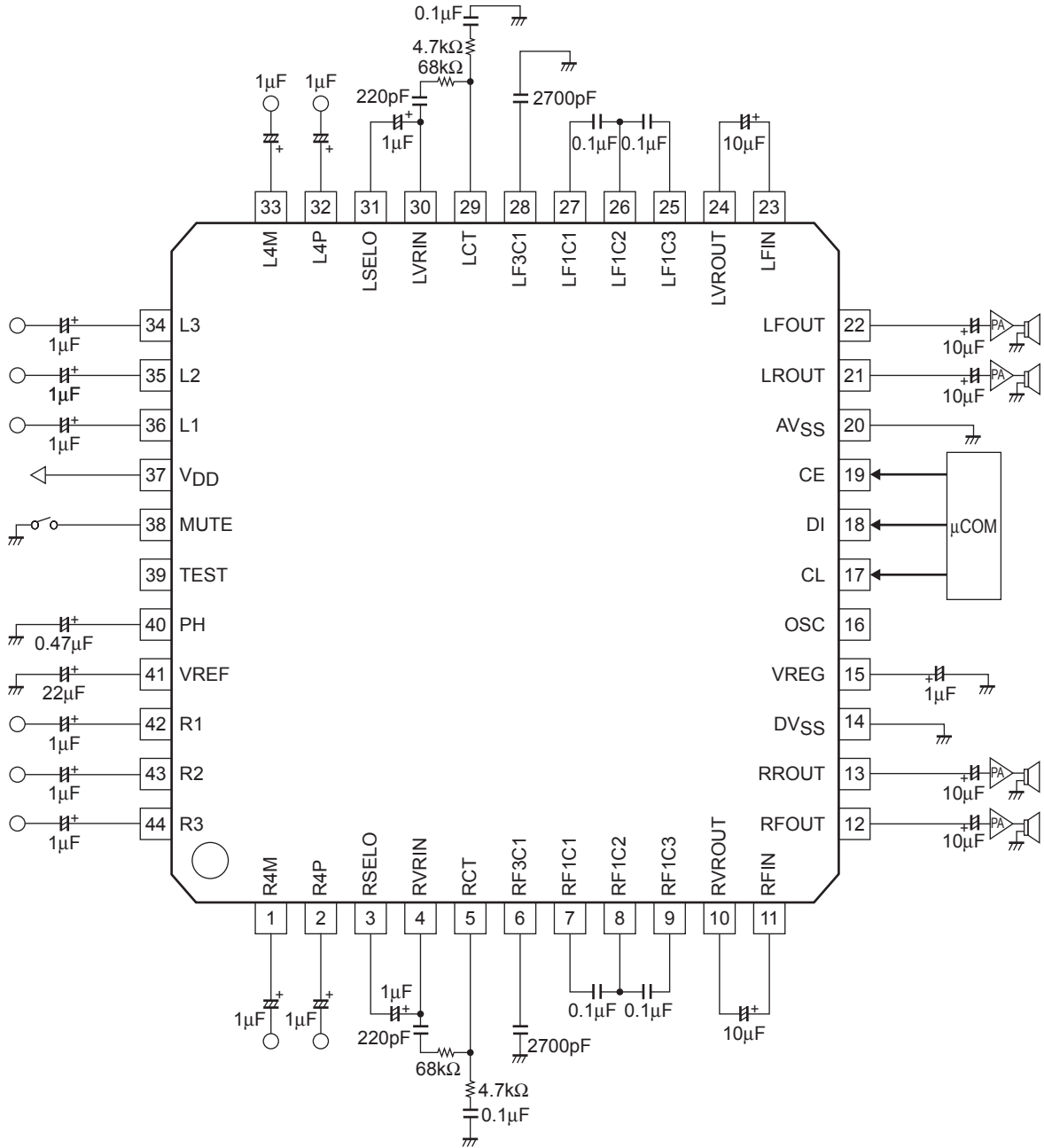
LV3313PM

Block Diagram



LV3313PM

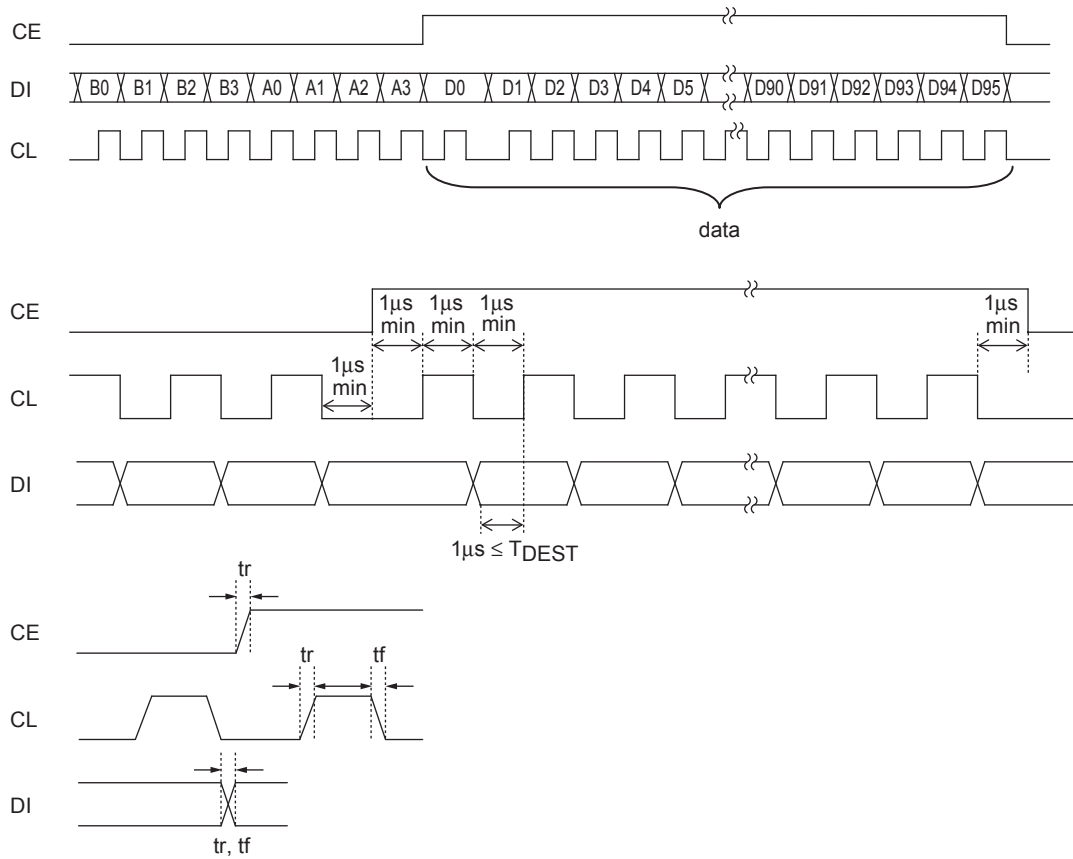
Application Circuit



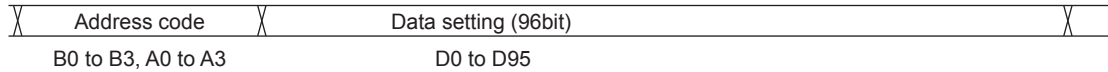
LV3313PM

Control System Timing and Data Format

The LV3313PM is controlled by applying the stipulated data to the CL, DI and CE pins. The data consists of a total of 104 bits, of which 8 bits are the device address, 96 bits are the control data.



Send to data



Address code

B0	B1	B2	B3	A0	A1	A2	A3
1	0	0	0	0	0	0	1

LV3313PM

Data setting

Input switching control

D0	D1	D2	Operation
0	0	0	INIT
1	0	0	L1 (R1)
0	1	0	L2 (R2)
1	1	0	L3 (R3)
0	0	1	L4 (R4)

Input gain control

D3	D4	D5	D6	D7	Lch
D8	D9	D10	D11	D12	Rch
0	0	0	0	0	0dB
1	0	0	0	0	+1dB
0	1	0	0	0	+2dB
1	1	0	0	0	+3dB
0	0	1	0	0	+4dB
1	0	1	0	0	+5dB
0	1	1	0	0	+6dB
1	1	1	0	0	+7dB
0	0	0	1	0	+8dB
1	0	0	1	0	+9dB
0	1	0	1	0	+10dB
1	1	0	1	0	+11dB
0	0	1	1	0	+12dB
1	0	1	1	0	+13dB
0	1	1	1	0	+14dB
1	1	1	1	0	+15dB
0	0	0	0	1	+16dB
1	0	0	0	1	+17dB
0	1	0	0	1	+18dB

LV3313PM

Volume control (10 dB to -43 dB)

D13	D14	D15	D16	D17	D18	D19	D20	Lch
D21	D22	D23	D24	D25	D26	D27	D28	Rch
0	1	1	0	1	1	1	0	10dB
1	1	1	0	1	1	1	0	9dB
0	0	0	1	1	1	1	0	8dB
1	0	0	1	1	1	1	0	7dB
0	1	0	1	1	1	1	0	6dB
1	1	0	1	1	1	1	0	5dB
0	0	1	1	1	1	1	0	4dB
1	0	1	1	1	1	1	0	3dB
0	1	1	1	1	1	1	0	2dB
1	1	1	1	1	1	1	0	1dB
0	0	0	0	0	0	0	0	0dB
1	0	0	0	0	0	0	0	-1dB
0	1	0	0	0	0	0	0	-2dB
1	1	0	0	0	0	0	0	-3dB
0	0	1	0	0	0	0	0	-4dB
1	0	1	0	0	0	0	0	-5dB
0	1	1	0	0	0	0	0	-6dB
1	1	1	0	0	0	0	0	-7dB
0	0	0	1	0	0	0	0	-8dB
1	0	0	1	0	0	0	0	-9dB
0	1	0	1	0	0	0	0	-10dB
1	1	0	1	0	0	0	0	-11dB
0	0	1	1	0	0	0	0	-12dB
1	0	1	1	0	0	0	0	-13dB
0	1	1	1	0	0	0	0	-14dB
1	1	1	1	0	0	0	0	-15dB
0	0	0	0	1	0	0	0	-16dB
1	0	0	0	1	0	0	0	-17dB
0	1	0	0	1	0	0	0	-18dB
1	1	0	0	1	0	0	0	-19dB
0	0	1	0	1	0	0	0	-20dB
1	0	1	0	1	0	0	0	-21dB
0	1	1	0	1	0	0	0	-22dB
1	1	1	0	1	0	0	0	-23dB
0	0	0	1	1	0	0	0	-24dB
1	0	0	1	1	0	0	0	-25dB
0	1	0	1	1	0	0	0	-26dB
1	1	0	1	1	0	0	0	-27dB
0	0	1	1	1	0	0	0	-28dB
1	0	1	1	1	0	0	0	-29dB
0	1	1	1	1	0	0	0	-30dB
1	1	1	1	1	0	0	0	-31dB
0	0	0	0	0	1	0	0	-32dB
1	0	0	0	0	1	0	0	-33dB
0	1	0	0	0	1	0	0	-34dB
1	1	0	0	0	1	0	0	-35dB
0	0	1	0	0	1	0	0	-36dB
1	0	1	0	0	1	0	0	-37dB
0	1	1	0	0	1	0	0	-38dB
1	1	1	0	0	1	0	0	-39dB
0	0	0	1	0	1	0	0	-40dB
1	0	0	1	0	1	0	0	-41dB
0	1	0	1	0	1	0	0	-42dB
1	1	0	1	0	1	0	0	-43dB

LV3313PM

Volume control (-44 dB to $-\infty$)

D13	D14	D15	D16	D17	D18	D19	D20	Lch
D21	D22	D23	D24	D25	D26	D27	D28	Rch
0	0	1	1	0	1	0	0	-44dB
1	0	1	1	0	1	0	0	-45dB
0	1	1	1	0	1	0	0	-46dB
1	1	1	1	0	1	0	0	-47dB
0	0	0	0	1	1	0	0	-48dB
1	0	0	0	1	1	0	0	-49dB
0	1	0	0	1	1	0	0	-50dB
1	1	0	0	1	1	0	0	-51dB
0	0	1	0	1	1	0	0	-52dB
1	0	1	0	1	1	0	0	-53dB
0	1	1	0	1	1	0	0	-54dB
1	1	1	0	1	1	0	0	-55dB
0	0	0	1	1	1	0	0	-56dB
1	0	0	1	1	1	0	0	-57dB
0	1	0	1	1	1	0	0	-58dB
1	1	0	1	1	1	0	0	-59dB
0	0	1	1	1	1	0	0	-60dB
1	0	1	1	1	1	0	0	-61dB
0	1	1	1	1	1	0	0	-62dB
1	1	1	1	1	1	0	0	-63dB
0	0	0	0	0	0	1	0	-64dB
1	0	0	0	0	0	1	0	-65dB
0	1	0	0	0	0	1	0	-66dB
1	1	0	0	0	0	1	0	-67dB
0	0	1	0	0	0	1	0	-68dB
1	0	1	0	0	0	1	0	-69dB
0	1	1	0	0	0	1	0	-70dB
1	1	1	0	0	0	1	0	-71dB
0	0	0	1	0	0	1	0	-72dB
1	0	0	1	0	0	1	0	-73dB
0	1	0	1	0	0	1	0	-74dB
1	1	0	1	0	0	1	0	-75dB
0	0	1	1	0	0	1	0	-76dB
1	0	1	1	0	0	1	0	-77dB
0	1	1	1	0	0	1	0	-78dB
1	1	1	1	0	0	1	0	-79dB
0	0	0	0	1	0	1	0	$-\infty$

LV3313PM

Tone block

Treble

GAIN	D29	D30	D31	D32	Lch
	D33	D34	D35	D36	Rch
0	1	1	1	1	+12dB
1	0	1	1	1	+10dB
0	0	1	1	1	+8dB
1	1	0	1	1	+6dB
0	1	0	1	1	+4dB
1	0	0	1	1	+2dB
0	0	0	0	0	0dB
1	0	0	0	0	-2dB
0	1	0	0	0	-4dB
1	1	0	0	0	-6dB
0	0	1	0	0	-8dB
1	0	1	0	0	-10dB
0	1	1	0	0	-12dB

Bass

GAIN	D37	D38	D39	D40	Lch
	D41	D42	D43	D44	Rch
0	1	1	1	1	+12dB
1	0	1	1	1	+10dB
0	0	1	1	1	+8dB
1	1	0	1	1	+6dB
0	1	0	1	1	+4dB
1	0	0	1	1	+2dB
0	0	0	0	0	0dB
1	0	0	0	0	-2dB
0	1	0	0	0	-4dB
1	1	0	0	0	-6dB
0	0	1	0	0	-8dB
1	0	1	0	0	-10dB
0	1	1	0	0	-12dB

LV3313PM

Fader block

D45	D46	D47	D48	D49	D50	LFOUT
D51	D52	D53	D54	D55	D56	LROUT
D57	D58	D59	D60	D61	D62	RFOUT
D63	D64	D65	D66	D67	D68	RROUT
0	0	0	0	0	0	0dB
1	0	0	0	0	0	-1dB
0	1	0	0	0	0	-2dB
1	1	0	0	0	0	-4dB
0	0	1	0	0	0	-6dB
1	0	1	0	0	0	-8dB
0	1	1	0	0	0	-10dB
1	1	1	0	0	0	-12dB
0	0	0	1	0	0	-14dB
1	0	0	1	0	0	-16dB
0	1	0	1	0	0	-18dB
1	1	0	1	0	0	-20dB
0	0	1	1	0	0	-30dB
1	0	1	1	0	0	-45dB
0	1	1	1	0	0	-60dB
1	1	1	1	0	0	-∞

Loudness control

D69	Operation
0	off
1	on

Zero cross control

D70	Operation
0	off
1	on

Zero cross signal detection block control

D71	Operation
0	Input gain
1	Volume

D72	Operation
0	Manual detection
1	Automatic detection

D73	D74
0	0

Zero-cross signal detection timer overflow settings

D75	D76	Operation
0	0	Timer time 10 ms
1	0	Timer time 20 ms
0	1	Timer time 40 ms
1	1	Timer time 80 ms

LV3313PM

Soft mute control

D77	Operation
0	Soft mute mode off
1	Soft mute mode on

D78	Operation
0	mute set off
1	mute set on

D79	D80	Operation
0	0	normal mode
1	0	test mode

Soft mute settling time select control

D81	D82	Operation
0	0	mute time 0.64 ms
1	0	mute time 5.12 ms
0	1	mute time 40 ms
1	1	mute time 80 ms

D83	D84	D85	D86	D87
0	0	0	0	0

Test mode block

D88	D89	D90	D91	D92	D93	D94	D95
0	0	0	0	0	0	0	0

LV3313PM

Pin Functions

Pin No.	Pin name	Function	Equivalent Circuit
36 35 34 42 43 44	L1 L2 L3 R1 R2 R3	Single end input pins.	
33 32 1 2	L4M L4P R4M R4P	Differential input pins.	
31 3	LSELO RSELO	Input selector output pins.	
30 4	LVRIN RVRIN	Main volume input pins.	
29 5	LCT RCT	Loudness function pins.	
24 10	LVROUT RVROUT	Tone output pins.	
23 11	LFIN RFIN	Fader block input pins. Drive at low impedance.	
22 21 12 13	LFOUT LROUT RFOUT RROUT	Fader output pins. Attenuation is possible separately for the front end and rear end.	

Continued on next page.

LV3313PM

Continued from preceding page.

Pin No.	Pin name	Function	Equivalent Circuit
41	Vref	Connect a capacitor of a few tens of uF between Vref and AVSS (VSS) as a 0.55 × VDD voltage generator, current ripple countermeasure.	
15	VREG	Internal logic voltage pin.	
37	VDD	Power supply pin.	
20	AVSS	Ground pin.	
38	MUTE	External muting control pin. Setting this pin to VSS level sets forcibly fader volume block to -∞ level.	
27 26 25 7 8 9	LF1C1 LF1C2 LF1C3 RF1C1 RF1C2 RF1C3	Capacitor connection pins for configuring equalizer bass band filter. Connect a capacitor between LF1C1 (RF1C1) and LF1C2 (RF1C2), and between LF1C2 (RF1C2) and LF1C3 (RF1C3).	
28 6	LF3C1 RF3C1	Capacitor connection pins for configuring equalizer treble band filter. Connect a high band compensation capacitor between LF3C1 (RF3C1) and VSS.	
17 18	CL DI	Input pin for serial data and clock used for control.	
19	CE	Chip enable pin. Data is written to the internal latch and the analog switches are operated when the level changes from High to Low. Data transfer is enabled when the level is High.	

Continued on next page.

LV3313PM

Continued from preceding page.

Pin No.	Pin name	Function	Equivalent Circuit
39	TEST	IC test pin. Normally this pin is OPEN.	
14	DVSS	Logic system ground pin.	
16	OSC	External oscillat input pin. Normally this pin is OPEN.	
40	PH	Automatic zero cross detection pin.	

LV3313PM

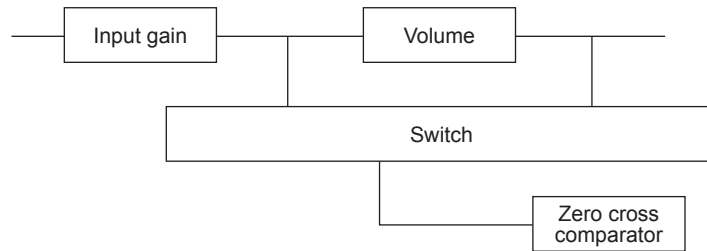
Usage Cautions

(1) Data Transmission at power on

- The status of internal analog switches is unstable at power on. Therefore, perform muting or some other countermeasure until the data has been set.
- At power on, initial setting data must be sent once in order to stabilize the bias of each block in a short time.

(2) Description of zero cross switching circuit operation

The LV3313PM have a function to switch zero cross comparator signal detection locations, enabling the selection of the optimum detection location for blocks whose data is to be updated. Basically, the switching noise can be minimized by inputting the signal immediately following the block whose data is to be updated to the zero cross comparator, so it is necessary to switch the detection location every time.



LV3313PM zero cross detection circuit

(3) Zero Cross Switching Control method

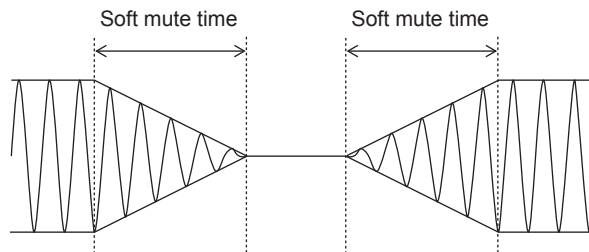
The zero cross switching control method consists of setting the zero cross control bits to the zero cross detection mode, and specifying the detection blocks before transmitting the data. These control bits are latched immediately following data transfer, that is to say beforehand in sync with the falling edge of CE, so when updating data of volumes, etc., it is possible to perform mode setting and zero cross switching with one data transfer.

(4) Soft mute operation

The LV3313PM have a soft mute function for low switching noise, when this mute function set operation. (mute/unmute function select)

The Soft mute time can be selected by send to CCB control. (0.6 ms, 5 ms, 40 ms, 80 ms)

A soft mute function can be implemented by set to soft mute on. (Set to mute on/off)



LV3313PM

ORDERING INFORMATION

Device	Package	Shipping (Qty / Packing)
LV3313PM-TLM-E	PQFP44 10x10 / QIP44M (Pb-Free)	1000 / Tape & Reel

† For information on tape and reel specifications, including part orientation and tape sizes, please refer to our Tape and Reel Packaging Specifications Brochure, BRD8011/D. http://www.onsemi.com/pub_link/Collateral/BRD8011-D.PDF

ON Semiconductor and the ON Semiconductor logo are trademarks of Semiconductor Components Industries, LLC dba ON Semiconductor or its subsidiaries in the United States and/or other countries. ON Semiconductor owns the rights to a number of patents, trademarks, copyrights, trade secrets, and other intellectual property. A listing of ON Semiconductor's product/patent coverage may be accessed at www.onsemi.com/site/pdf/Patent-Marking.pdf. ON Semiconductor reserves the right to make changes without further notice to any products herein. ON Semiconductor makes no warranty, representation or guarantee regarding the suitability of its products for any particular purpose, nor does ON Semiconductor assume any liability arising out of the application or use of any product or circuit, and specifically disclaims any and all liability, including without limitation special, consequential or incidental damages. Buyer is responsible for its products and applications using ON Semiconductor products, including compliance with all laws, regulations and safety requirements or standards, regardless of any support or applications information provided by ON Semiconductor. "Typical" parameters which may be provided in ON Semiconductor data sheets and/or specifications can and do vary in different applications and actual performance may vary over time. All operating parameters, including "Typicals" must be validated for each customer application by customer's technical experts. ON Semiconductor does not convey any license under its patent rights nor the rights of others. ON Semiconductor products are not designed, intended, or authorized for use as a critical component in life support systems or any FDA Class 3 medical devices or medical devices with a same or similar classification in a foreign jurisdiction or any devices intended for implantation in the human body. Should Buyer purchase or use ON Semiconductor products for any such unintended or unauthorized application, Buyer shall indemnify and hold ON Semiconductor and its officers, employees, subsidiaries, affiliates, and distributors harmless against all claims, costs, damages, and expenses, and reasonable attorney fees arising out of, directly or indirectly, any claim of personal injury or death associated with such unintended or unauthorized use, even if such claim alleges that ON Semiconductor was negligent regarding the design or manufacture of the part. ON Semiconductor is an Equal Opportunity/Affirmative Action Employer. This literature is subject to all applicable copyright laws and is not for resale in any manner.