

低功耗, 双端口, 高速 USB2.0 (480 Mbps) 开关

FSUSB42

描述

FSUSB42是双向低功耗双端口高速 USB2.0 开关。结构类似于双刀双掷开关, 它对于切换两个高速源 (480 Mbps) 或一个高速和全速源 (12 Mbps) 是优化选择。

FSUSB42 是兼容 USB2.0 要求和拥有 3.7 pF 超低电容的特性。元件宽广的带宽 (720 MHz) 超过了需要通过三阶谐波的带宽, 从而可以最小化边缘和相位的失真, 超高品质的通道与通道之间的串扰特性也最小化了干扰。

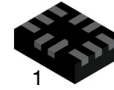
FSUSB42 在开关的 I/O 管脚包含有特殊的电路针对当 $V_{CC} = 0$ 时允许元件耐过压的应用。这个元件被设计最小化了电流消耗即使用在 SEL 管脚的控制电压低于供电。这种特性对手机类超便携式应用尤其重要, 通过它可以直接与基带处理器通用 I/O 口连接。其它应用包括在便携式手机 PDAs, 数字相机, 打印机, 和笔记本电脑中的切换和。

特性

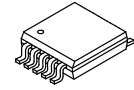
- 低导通电容: 3.7 pF 典型值
- 低导通电阻: 3.9 Ω 典型值
- 低功耗: 1 μ A 最大值
 - ◆ 在扩展的电压范围内 ($V_{IN} = 1.8$ V, $V_{CC} = 4.4$ V), 最大 I_{CCT} 电流为 15 μ A
- 宽广的 -3 db 带宽: > 720 MHz
- Packaged in:
 - ◆ 10-Lead UMLP (1.4 x 1.8 mm)
 - ◆ 10-Lead MSOP
- 8 kV 的 ESD, >16 kV 电源对地 ESD
- 当 $V_{CC} = 0$ V 时所有管脚有断电保护
 - ◆ D+/D- 管脚耐压达 5.25 V
- 在无需额外元件的情况下所有的 USB 端口可耐过压高达 5.25 V

应用

- 手机, PDA, 数字相机, 和笔记本
- LCD 显示屏, TV, 和机顶盒

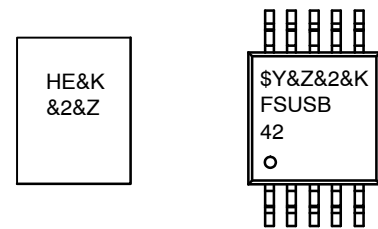


UQFN10 1.4 x 1.8, 0.4 P
CASE 523BC



MSOP10
CASE 846AP

MARKING DIAGRAMS



- HE, FSUCB42 = Specific Device Code
 \$Y = onsemi Logo
 &K = 2 Digit Lot Run Traceability Code
 &2 = 2-Digit Date Code
 &Z = Assembly Location

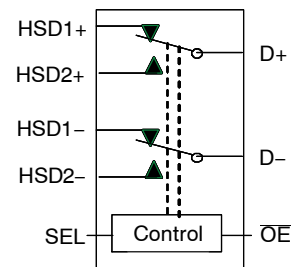


图 1. 模拟符号

ORDERING INFORMATION

See detailed ordering and shipping information on page 7 of this data sheet.

FSUSB42

管脚分配图

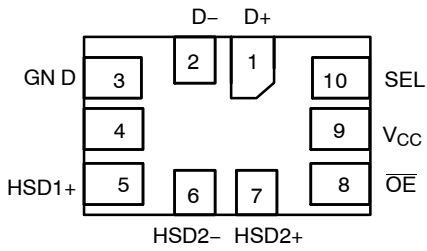


图 2. 管脚分配图 10L UMLP(俯视图)

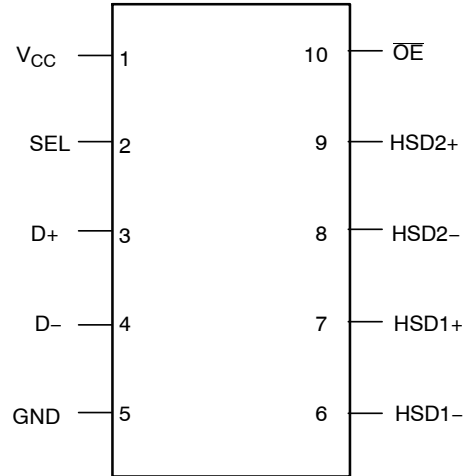


图 3. 10L MSOP 管脚分配图(俯视图)

管脚定义

UMLP Pin#	MSOP Pin#	管脚名称	描述
1	3	D+	USB 数据线
2	4	D-	USB 数据线
3	5	GND	接地
4	6	HSD1-	多路复用源输入
5	7	HSD1+	多路复用源输入
6	8	HSD2-	多路复用源输入
7	9	HSD2+	多路复用源输入
8	10	OE	开关使能
9	1	V _{CC}	供电电压
10	2	Sel	开关选择脚

真值表

SEL	OE	功能
X	HIGH	断开
LOW	LOW	D+ = HSD1+, D- = HSD1-
HIGH	LOW	D+ = HSD2+, D- = HSD2-

1. 低 $\leq V_{IL}$.
2. 高 $\leq V_{IH}$.
3. X = Don't Care.

FSUSB42

最大绝对额定值

表达符号	参数	最小值	最大值	单位	
V _{CC}	供电电压	-0.5	5.6	V	
V _{CNTRL}	DC 输入电压 (S, OE) (说明 4)	-0.5	V _{CC}	V	
V _{SW}	DC 开关 I/O 电压 (说明 4) (V _{CC} = 0 V)	-0.50	5.25	V	
I _{IK}	DC 输入二极管电流	-50	-	mA	
I _{OUT}	DC 输出电流	-	100	mA	
T _{STG}	储存温度	-65	+150	°C	
MSL	湿度敏感性	-	1	等级	
ESD	人体电流模式, JEDEC: JESD22-A114	所有管脚	7	-	kV
		I/O 对地	8	-	
		电源对地	16	-	
		D+/D-	9	-	
	IEC 61000-4-2 System on USB Connector Pins D+ & D-	Air Discharge	15	-	
		Contact	8	-	
充放电模式, JEDEC: JESD22-C101		2	-		

Stresses exceeding those listed in the Maximum Ratings table may damage the device. If any of these limits are exceeded, device functionality should not be assumed, damage may occur and reliability may be affected.

(参考译文)

如果电压超过最大额定值表中列出的值范围, 器件可能会损坏。如果超过任何这些限值, 将无法保证器件功能, 可能会导致器件损坏, 影响可靠性。

4. 如输入及输出二极管电流额定值均达到时则可能会超出输入及输出负额定值。

推荐工作条件

表达符号	参数	最小值	最大值	单位
V _{CC}	供电电压	2.4	4.4	V
V _{CNTRL}	控制输入电压 (S, OE) (说明 5)	0	V _{CC}	V
V _{SW}	开关 I/O 电压	-0.5	4.5	V
T _A	操作温度	-40	+85	°C

Functional operation above the stresses listed in the Recommended Operating Ranges is not implied. Extended exposure to stresses beyond the Recommended Operating Ranges limits may affect device reliability.

(参考译文)

高于推荐工作范围表格中所列电压时, 不保证能够正常运行。长时间在推荐工作范围表格中规定范围以外的电压下运行, 可能会影响器件的可靠性。

5. 控制输入必须保持高平或低平且不得悬空。

DC 电气特性

(如未说明均为 25°C 下的标准值)

表达符号	参数	条件	V _{CC} (V)	T _A = -40°C to +85°C			单位
				最小	典型	最大	
V _{IK}	钳位二极管电压	I _{IN} = 18 mA	3.0	-	-	-1.2	V
V _{IH}	输入高电平		2.4 至 3.6	1.3	-	-	V
			4.3	1.7	-	-	
V _{IL}	输入低电平		2.4 至 3.6	-	-	0.5	V
			4.3	-	-	0.7	
I _{IN}	控制输入漏电流	V _{SW} = 0 to V _{CC}	0 至 4.3	-1	-	1	μA
I _{OZ}	断开漏电流	0 ≤ Dn, HSD1n, HSD2n ≤ 3.6 V	4.3	-2	-	2	μA
I _{OFF}	断电漏电流 (所有 I/O 端口)	V _{SW} = 0 V to 4.3 V, V _{CC} = 0 V 图 5	0	-2	-	2	μA

FSUSB42

DC 电气特性 (continued) (如未说明均为 25°C 下的标准值)

表达符号	参数	条件	V _{CC} (V)	T _A = -40°C to +85°C			单位
				最小	典型	最大	
R _{ON}	高速开关导通电阻 (说明 6)	V _{SW} = 0.4 V, I _{ON} = 8 mA 图 4	2.4	-	4.5	7.5	Ω
			3.0	-	3.9	6.5	
ΔR _{ON}	高速导通电阻差 (说明 7)	V _{SW} = 0.4, I _{ON} = 8 mA	3.0	-	0.65	-	Ω
I _{CC}	静态供电电流	V _{CNTRL} = 0 or V _{CC} , I _{OUT} = 0	4.3	-	-	1	μA
I _{CCT}	控制电压和 V _{CC} 增加时 I _{CC} 相应的增加量	V _{CNTRL} = 2.6, V _{CC} = 4.3 V	4.3	-	-	10	μA
		V _{CNTRL} = 1.8, V _{CC} = 4.3 V	4.3	-	-	15	μA

6. 在开关指定电流下通过测量管脚 HSDn 和 Dn 管脚之间的电压降获得。导通电阻由两管脚上较低的电压决定。
7. 由特性保证。

AC 电气特性 (如未说明均为 25°C, 3.3 V V_{CC} 下的标准值。)

表达符号	参数	条件	V _{CC} (V)	T _A = -40°C to +85°C			单位
				最小	典型	最大	
t _{ON}	开启时间 S, OE 到输出	R _L = 50 Ω, C _L = 5 pF, V _{SW} = 0.8 V, 图 6, 图 7	2.4	-	24	40	ns
			3.0 至 3.6	-	13	30	
t _{OFF}	关断时间 S, OE 到输出	R _L = 50 Ω, C _L = 5 pF, V _{SW} = 0.8 V, 图 6, 图 7	2.4	-	15	35	ns
			3.0 至 3.6	-	12	25	
t _{PD}	传播延迟 (说明 8)	C _L = 5 pF, R _L = 50 Ω, 图 6, 图 8	3.3	-	0.25	-	ns
t _{BBM}	先断后开	R _L = 50 Ω, C _L = 5 pF, V _{SW1} = V _{SW2} = 0.8 V, 图 10	2.4	2.0	-	10	ns
			3.0 至 3.6	2.0	-	6.5	
O _{IRR}	隔离度	R _L = 50 Ω, f = 240 MHz, 图 12	3.0 至 3.6	-	-30	-	dB
Xtalk	非相邻通道串扰	R _L = 50 Ω, f = 240 MHz, 图 13	3.0 至 3.6	-	-45	-	dB
BW	-3 db 带宽	R _L = 50 Ω, C _L = 0 pF, 图 11	3.0 至 3.6	-	720	-	MHz
		R _L = 50 Ω, C _L = 5 pF, 图 11		-	550	-	MHz

8. 由特性保证。

与 USB 高速相关的 AC 电气特性

表达符号	参数	条件	V _{CC} (V)	T _A = -40°C to +85°C			单位
				最小	典型	最大	
t _{SK(P)}	同一输出相反传输方向上的偏差 (说明 9)	C _L = 5 pF, R _L = 50 Ω, 图 9	-	-	20	-	ps
t _J	总抖动 (说明 9)	R _L = 50 Ω, C _L = 5 pF, t _R = t _F = 500 ps (10~90%) 在 480 Mbps 时 (PRBS = 2 ¹⁵ - 1)	-	-	200	-	ps

9. 由特性保证。

电容

表达符号	参数	条件	T _A = -40°C to +85°C			单位
			最小	典型	最大	
C _{IN}	控制管脚输入电容	V _{CC} = 0 V	-	1.5	-	pF
C _{ON}	D+/D- 导通电容	V _{CC} = 3.3 V, OE = 0 V, f = 240 MHz, 图 15	-	3.7	-	pF
C _{OFF}	D1n, D2n 断开电容	V _{CC} and OE = 3.3 V, 图 14	-	2.0	-	pF

测试图

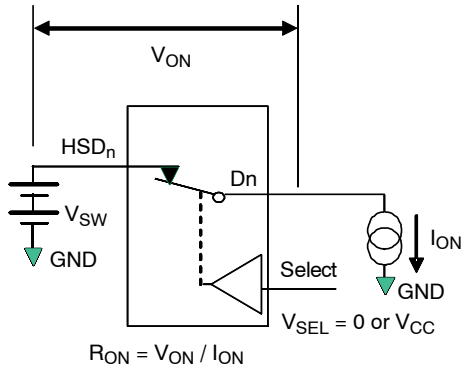


图 4. 导通电阻

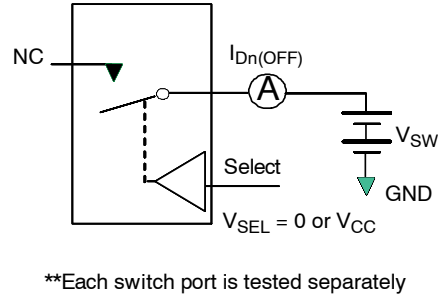


图 5. 漏电流

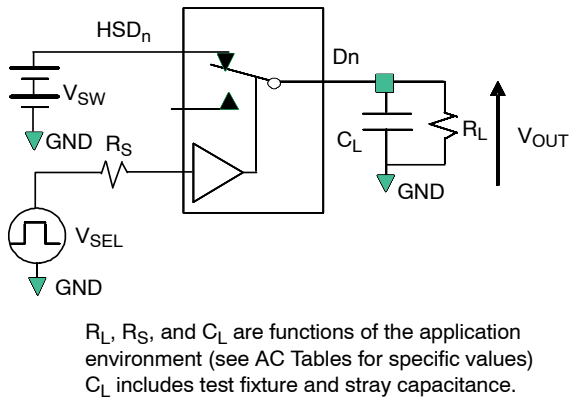


图 6. AC测试电路负载

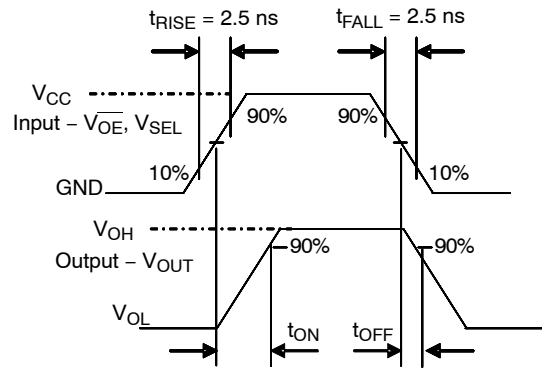


图 7. 开启 / 关断波形

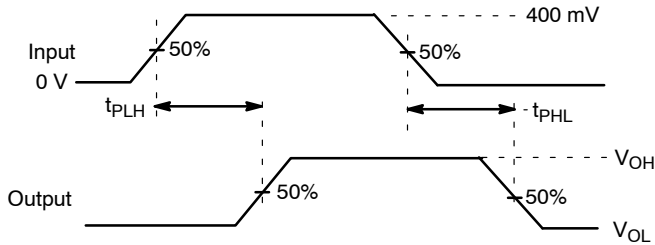


图 8. 传播延迟 (t_{PLH} - 500 ps)

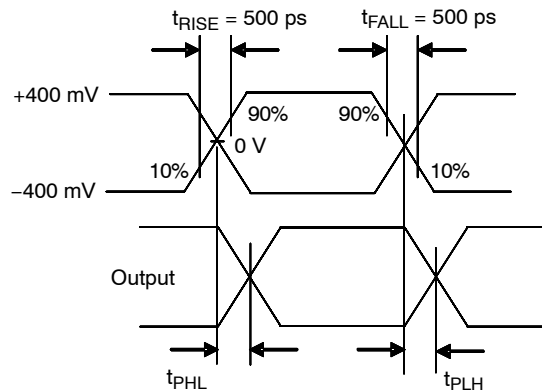


图 9. 对内偏移测试 $t_{SK(P)}$

测试图 (续)

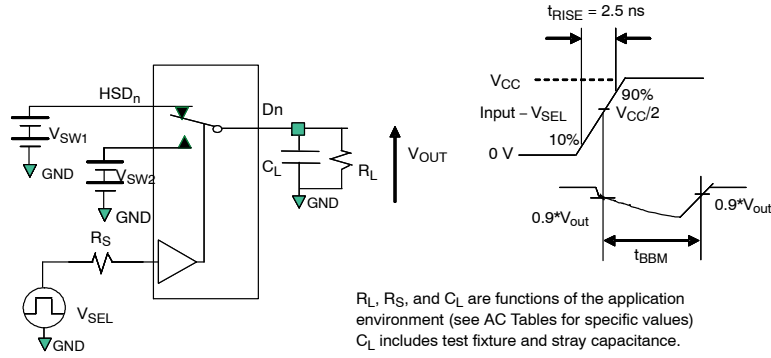


图 10. 先断后开间隔

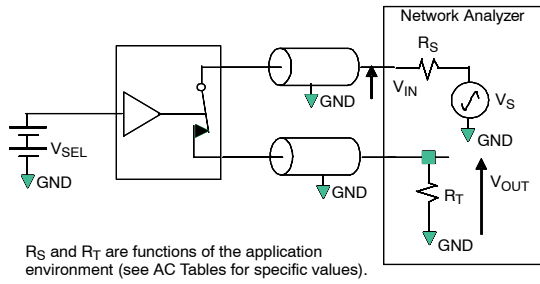


图 11. 带宽

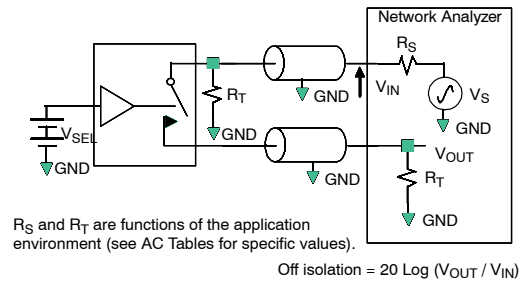


图 12. 通道隔离度

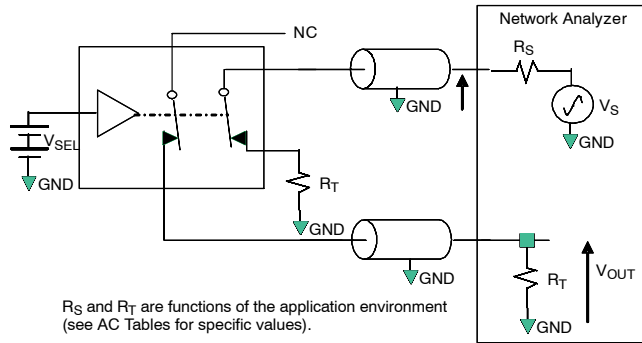


图 13. 非相邻通道串扰

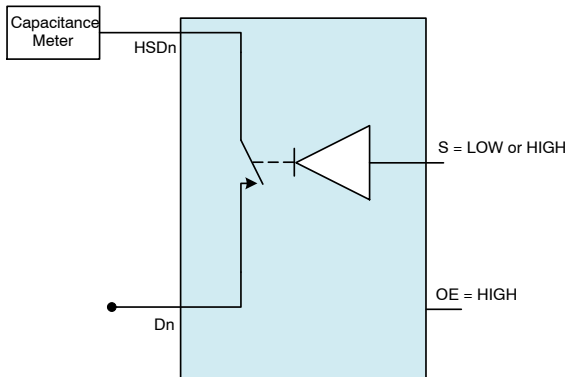


图 14. 通道断开电容

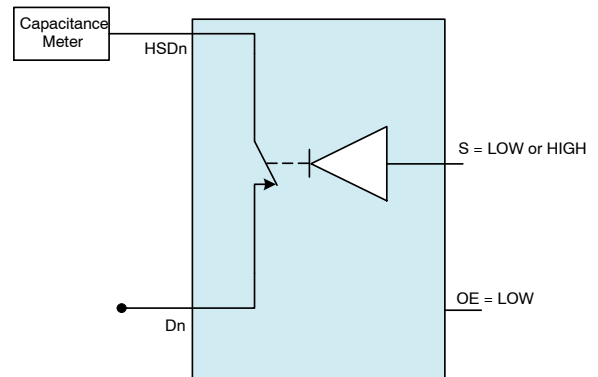


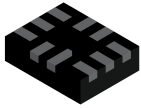
图 15. 通道导通电容

FSUSB42

订货信息

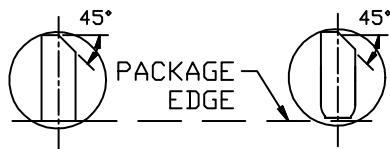
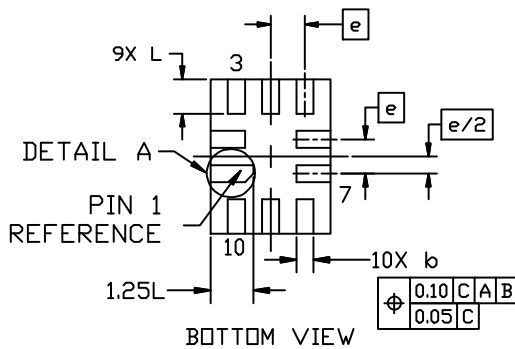
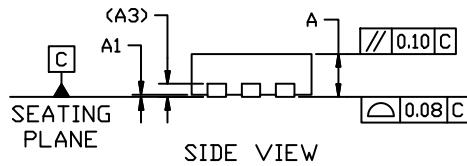
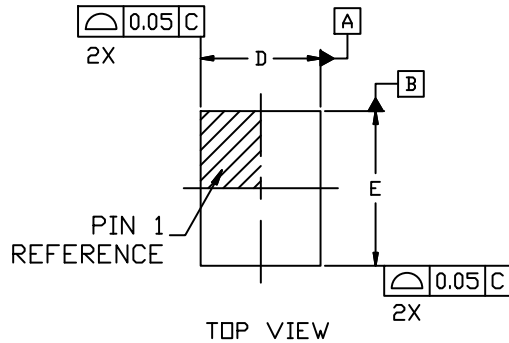
订货号码	表面标记	操作温度范围	封装	Shipping†
FSUSB42UMX	HE	-40 至 85°C	10-引脚, 方型, 超薄模塑无脚封 (UQFN10), 1.4 × 1.8 mm	5000 / Tape and Reel
FSUSB42MUX	FSUSB42	-40 至 85°C	10-引脚, 模塑小外形封装 (MSOP) JEDEC MO-187, 3.0 mm 宽	4000 / Tape and Reel

†For information on tape and reel specifications, including part orientation and tape sizes, please refer to our Tape and Reel Packaging Specification Brochure, BRD8011/D.



UQFN10 1.4x1.8, 0.4P
CASE 523BC
ISSUE B

DATE 13 MAY 2022

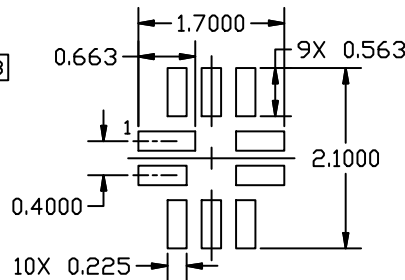


OPTIONAL CONSTRUCTIONS

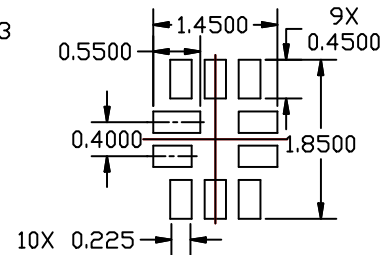
NOTES:

1. DIMENSIONING AND TOLERANCING PER ASME Y14.5, 2018
2. ALL DIMENSIONS ARE IN MILLIMETERS
3. DIMENSION *b* APPLIES TO PLATED TERMINALS AND IS MEASURED BETWEEN 0.15mm AND 0.30mm FROM THE TERMINAL TIP.
4. COPLANARITY APPLIES TO THE EXPOSED PAD AS WELL AS THE TERMINALS

DIM	MILLIMETERS		
	MIN.	NOM.	MAX.
A	0.45	0.50	0.55
A1	0.00	0.025	0.05
A3	0.152 REF		
<i>b</i>	0.15	0.20	0.25
D	1.35	1.40	1.45
E	1.75	1.80	1.85
<i>e</i>	0.40 BSC		
L	0.35	0.40	0.45



**RECOMMENDED
LAND PATTERN**



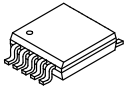
**OPTIONAL MINIMAL
TOE LAND PATTERN**

RECOMMENDED MOUNTING FOOTPRINT

For additional information on our Pb-Free strategy and soldering details, please download the onsemi Soldering and Mounting Techniques Reference Manual, SOLDERRM/D.

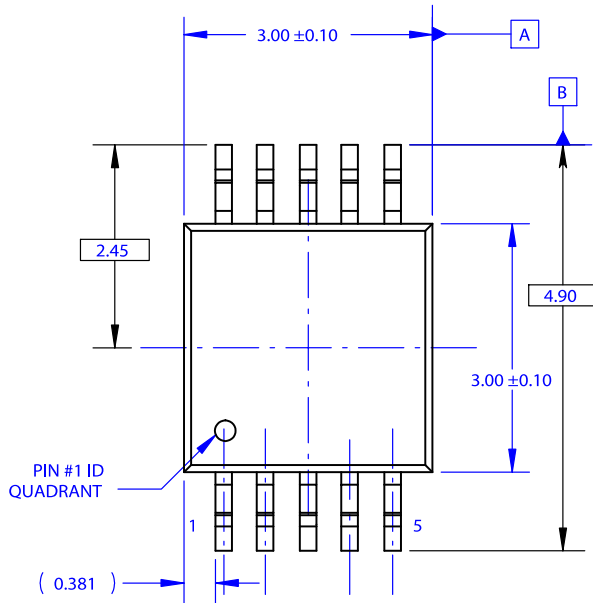
DOCUMENT NUMBER:	98AON13705G	Electronic versions are uncontrolled except when accessed directly from the Document Repository. Printed versions are uncontrolled except when stamped "CONTROLLED COPY" in red.
DESCRIPTION:	UQFN10 1.4x1.8, 0.4P	PAGE 1 OF 1

onsemi and ONSEMI are trademarks of Semiconductor Components Industries, LLC dba onsemi or its subsidiaries in the United States and/or other countries. onsemi reserves the right to make changes without further notice to any products herein. onsemi makes no warranty, representation or guarantee regarding the suitability of its products for any particular purpose, nor does onsemi assume any liability arising out of the application or use of any product or circuit, and specifically disclaims any and all liability, including without limitation special, consequential or incidental damages. onsemi does not convey any license under its patent rights nor the rights of others.

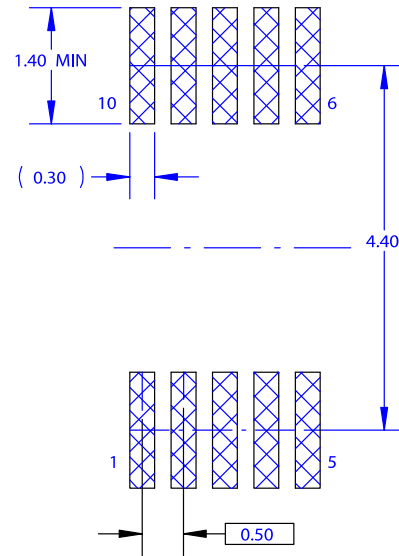


MSOP10
CASE 846AP
ISSUE O

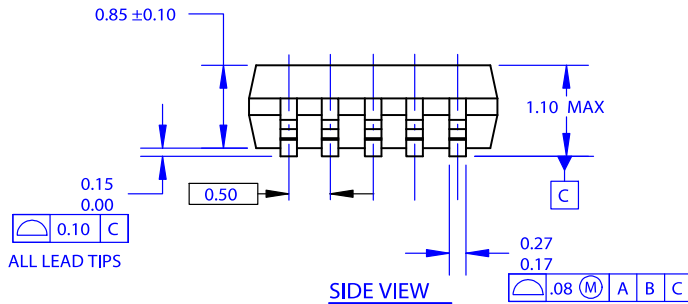
DATE 31 JAN 2017



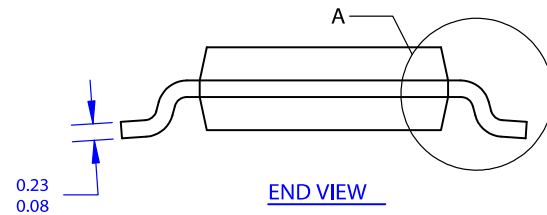
TOP VIEW



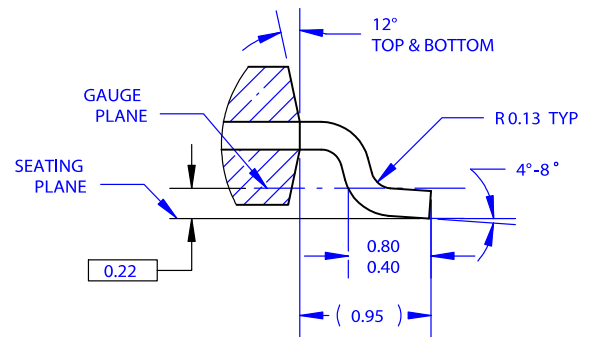
LAND PATTERN RECOMMENDATION



SIDE VIEW



END VIEW



DETAIL A
SCALE 20 : 1

NOTES: UNLESS OTHERWISE SPECIFIED

- A. THIS PACKAGE CONFORMS TO JEDEC MO-187 VARIATION BA.
- B. ALL DIMENSIONS ARE IN MILLIMETERS.
- C. DIMENSIONS ARE EXCLUSIVE OF BURRS, MOLD FLASH AND TIE BAR EXTRUSIONS.
- D. DIMENSIONS AND TOLERANCES AS PER ASME Y14.5-1994.
- E. LAND PATTERN AS PER IPC7351#SOP50P490X110-10AN

DOCUMENT NUMBER:	98AON13758G	Electronic versions are uncontrolled except when accessed directly from the Document Repository. Printed versions are uncontrolled except when stamped "CONTROLLED COPY" in red.
DESCRIPTION:	MSOP10	PAGE 1 OF 1

onsemi and ONSEMI are trademarks of Semiconductor Components Industries, LLC dba onsemi or its subsidiaries in the United States and/or other countries. onsemi reserves the right to make changes without further notice to any products herein. onsemi makes no warranty, representation or guarantee regarding the suitability of its products for any particular purpose, nor does onsemi assume any liability arising out of the application or use of any product or circuit, and specifically disclaims any and all liability, including without limitation special, consequential or incidental damages. onsemi does not convey any license under its patent rights nor the rights of others.

onsemi, **Onsemi**, and other names, marks, and brands are registered and/or common law trademarks of Semiconductor Components Industries, LLC dba "**onsemi**" or its affiliates and/or subsidiaries in the United States and/or other countries. **onsemi** owns the rights to a number of patents, trademarks, copyrights, trade secrets, and other intellectual property. A listing of **onsemi**'s product/patent coverage may be accessed at www.onsemi.com/site/pdf/Patent-Marking.pdf. **onsemi** reserves the right to make changes at any time to any products or information herein, without notice. The information herein is provided "as-is" and **onsemi** makes no warranty, representation or guarantee regarding the accuracy of the information, product features, availability, functionality, or suitability of its products for any particular purpose, nor does **onsemi** assume any liability arising out of the application or use of any product or circuit, and specifically disclaims any and all liability, including without limitation special, consequential or incidental damages. Buyer is responsible for its products and applications using **onsemi** products, including compliance with all laws, regulations and safety requirements or standards, regardless of any support or applications information provided by **onsemi**. "Typical" parameters which may be provided in **onsemi** data sheets and/or specifications can and do vary in different applications and actual performance may vary over time. All operating parameters, including "Typicals" must be validated for each customer application by customer's technical experts. **onsemi** does not convey any license under any of its intellectual property rights nor the rights of others. **onsemi** products are not designed, intended, or authorized for use as a critical component in life support systems or any FDA Class 3 medical devices or medical devices with a same or similar classification in a foreign jurisdiction or any devices intended for implantation in the human body. Should Buyer purchase or use **onsemi** products for any such unintended or unauthorized application, Buyer shall indemnify and hold **onsemi** and its officers, employees, subsidiaries, affiliates, and distributors harmless against all claims, costs, damages, and expenses, and reasonable attorney fees arising out of, directly or indirectly, any claim of personal injury or death associated with such unintended or unauthorized use, even if such claim alleges that **onsemi** was negligent regarding the design or manufacture of the part. **onsemi** is an Equal Opportunity/Affirmative Action Employer. This literature is subject to all applicable copyright laws and is not for resale in any manner.

ADDITIONAL INFORMATION

TECHNICAL PUBLICATIONS:

Technical Library: www.onsemi.com/design/resources/technical-documentation
onsemi Website: www.onsemi.com

ONLINE SUPPORT: www.onsemi.com/support

For additional information, please contact your local Sales Representative at www.onsemi.com/support/sales

