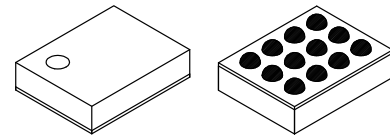


# Over-Voltage Protection Load Switch

## FPF2281



WLCSP12 1.288x1.828x0.586  
CASE 567QX

### Description

The FPF2281 features a low- $R_{ON}$  internal FET and an operating range of 2.5  $V_{DC}$  to 25  $V_{DC}$  (absolute maximum of 29  $V_{DC}$ ). An internal clamp is capable of shunting surge voltages > 100 V, protecting downstream components and enhancing system robustness. The FPF2281 features over-voltage protection that powers down the internal FET if the input voltage exceeds the OVP threshold. The OVP threshold is adjustable with optional external resistors. Over-temperature protection also powers down the device at 130°C (typical). Exceptionally low off-state current (< 1  $\mu A$  maximum) facilitates compliance with standby power requirements.

The FPF2281 is available in a fully “green” compliant 1.3 mm × 1.8 mm Wafer-Level Chip-Scale Package (WLCSP) with backside laminate.

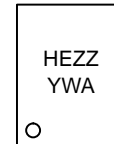
### Features

- Surge Protection
  - ◆ IEC 61000-4-5: > 100 V
- Over-Voltage Protection (OVP)
- Over-Temperature Protection (OTP)
- ESD Protection
  - ◆ Human Body Model (HBM): > 3.5 kV
  - ◆ Charged Device Model (CDM): > 2 kV
  - ◆ IEC 61000-4-2 Air Discharge: > 15 kV
  - ◆ IEC 61000-4-2 Contact Discharge: > 8 kV
- This is a Pb-Free Device

### Applications

- Mobile Handsets and Tablets
- Portable Media Players
- MP3 Players

### MARKING DIAGRAM



- HE = Specific Device Code
- ZZ = Assembly Lot Code
- Y = Year
- W = Work Week
- A = Assembly Location

### ORDERING INFORMATION

Part Number	Top Marking	Operating Temperature Range	Package	Shipping†
FPF2281BUCX-F130	HE	-40°C to 85°C	WLCSP12 (Pb-Free)	3000 / Tape & Reel

†For information on tape and reel specifications, including part orientation and tape sizes, please refer to our Tape and Reel Packaging Specifications Brochure, BRD8011/D.

# FPF2281

## Block Diagram

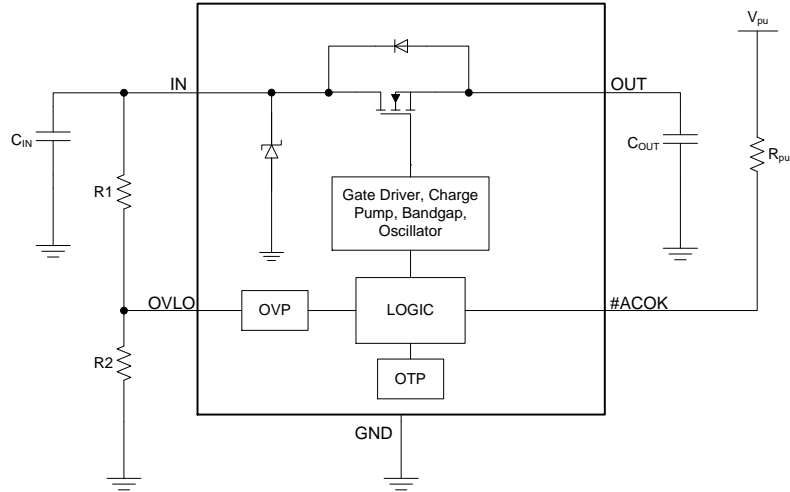


Figure 1. Functional Block Diagram

# FPF2281

## Pin Configuration

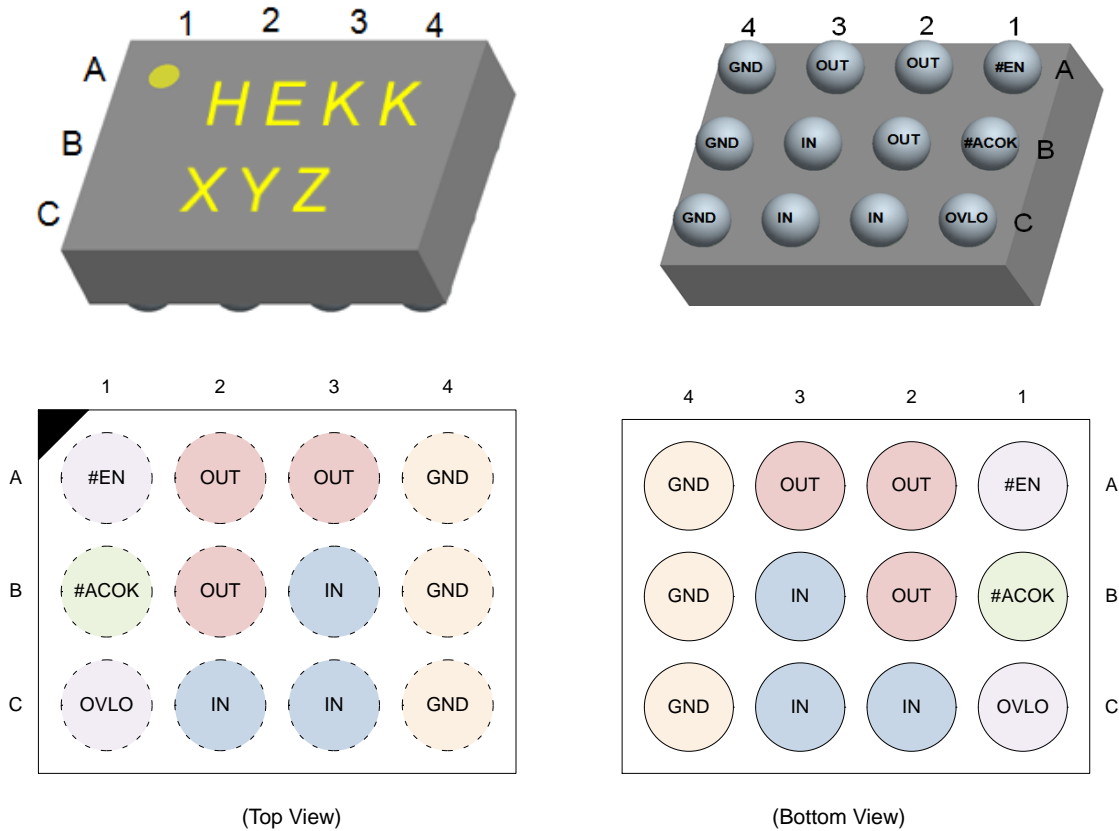


Figure 2. Pin Configuration

## PIN DEFINITIONS

Name	Bump	Type	Description	
IN	B3, C2, C3	Input/Supply	Switch Input and Device Supply	
OUT	A2, A3, B2	Output	Switch Output to Load	
#ACOK	B1	Output (Open Drain)	1	$V_{IN} < V_{IN\_min}$ or $V_{IN} \geq V_{OVLO}$
			0	Voltage Stable
#EN	A1	Input	Device Enable (Active LOW)	
OVLO	C1	Input	Over-Voltage Lockout Adjustment Pin	
GND	A4, B4, C4	Supply	Device Ground	

### Over-Voltage Lockout (OVLO) Calculation

OVLO can be set externally and override default OVP. By connecting an external resistor-driver to the OVLO pin. Equation (1) can produce the desired trip voltage and resistor values.

$$V_{IN\_OVLO} = V_{OVLO\_TH} \times [1 + R1/R2] \quad (\text{eq. 1})$$

Recommended minimum  $R1 = 1 \text{ M}\Omega$

# FPF2281

## ABSOLUTE MAXIMUM RATINGS

Symbol	Parameter	Min.	Max.	Unit
V <sub>IN</sub>	V <sub>_IN</sub> to GND & V <sub>_IN</sub> to V <sub>_OUT</sub> = GND or Float	-0.3	29.0	V
V <sub>OUT</sub>	V <sub>_OUT</sub> to GND	-0.3	V <sub>IN</sub> + 0.3	V
V <sub>OVLO</sub>	OVLO to GND	-0.3	25.0	V
V <sub>#EN_ACOK</sub>	Maximum DC Voltage Allowed on #EN or ACOK Pin		6	V
I <sub>IN</sub>	Switch I/O Current (Continuous)		4.5	A
	Peak Switch I/O Current (10 ms)		9	A
t <sub>PD</sub>	Total Power Dissipation at T <sub>A</sub> = 25°C		1.48	W
T <sub>STG</sub>	Storage Temperature Range	-65	150	°C
T <sub>J</sub>	Maximum Junction Temperature		150	°C
T <sub>L</sub>	Lead Temperature (Soldering, 10 Seconds)		260	°C
Θ <sub>JA</sub>	Thermal Resistance, Junction-to-Ambient <sup>(1)</sup> (1-in. <sup>2</sup> Pad of 2-oz. Copper)		84.1	°C/W
ESD	IEC 61000-4-2 System ESD	Air Gap	15.0	kV
		Contact	8.0	
	Human Body Model, ANSI/ESDA/JEDEC JS-001-2012	All Pins	3.5	
	Charged Device Model, JESD22-C101	All Pins	2.0	
Surge	IEC 61000-4-5, Surge Protection	V <sub>IN</sub>	100	V

Stresses exceeding those listed in the Maximum Ratings table may damage the device. If any of these limits are exceeded, device functionality should not be assumed, damage may occur and reliability may be affected.

1. Measured using 2S2P JEDEC std. PCB

## RECOMMENDED OPERATING CONDITIONS

Symbol	Parameter	Min.	Max.	Unit
V <sub>IN</sub>	Supply Voltage	2.5	25.0	V
T <sub>A</sub>	Operating Temperature	-40	85	°C

Functional operation above the stresses listed in the Recommended Operating Ranges is not implied. Extended exposure to stresses beyond the Recommended Operating Ranges limits may affect device reliability.

# FPF2281

## ELECTRICAL CHARACTERISTICS

( $T_A = -40^{\circ}\text{C}$  to  $85^{\circ}\text{C}$  unless otherwise indicated. Typical values are  $V_{IN} = 5.0\text{ V}$ ,  $I_{IN} \leq 3\text{ A}$ ,  $C_{IN} = 0.1\text{ }\mu\text{F}$  and  $T_A = 25^{\circ}\text{C}$ .)

Symbol	Parameter	Conditions	Min.	Typ.	Max.	Unit
$V_{IN\_CLAMP}$	Input Clamping Voltage	$I_{IN} = 10\text{ mA}$		35		V
$I_Q$	Input Quiescent Current	$V_{IN} = 5\text{ V}$ , $\#EN = 0\text{ V}$		58	100	$\mu\text{A}$
$I_{IN\_Q}$	OVLO Supply Current	$V_{OVLO} = 3\text{ V}$ , $V_{IN} = 5\text{ V}$ , $V_{OUT} = 0\text{ V}$		52	100	$\mu\text{A}$
$V_{IN\_OVLO}$	Internal Over-Voltage Trip Level	$V_{IN}$ Rising	13.6	14.0	14.4	V
		$V_{IN}$ Falling	13.0			V
$V_{OVLO\_TH}$	OVLO Set Threshold	$V_{IN} = 2.5\text{ V}$ to $V_{OVLO}$	1.12	1.20	1.24	V
$V_{OVLO\_RNG}$	Adjustable OVLO Threshold Range	$V_{IN} = 2.5\text{ V}$ to $V_{OVLO}$	4		25	V
$V_{OVLO\_SELECT}$	External OVLO Select Threshold			0.30	0.28	V
$V_{UVLO}$	Under-Voltage Trip Level	$V_{IN}$ Rising, $T_A = -40^{\circ}\text{C}$ to $85^{\circ}\text{C}$		2.25	2.4	V
		$V_{IN}$ Falling, $T_A = -40^{\circ}\text{C}$ to $85^{\circ}\text{C}$		1.95	2.1	V
$R_{ON}$	Resistance from $V_{IN}$ to $V_{OUT}$	$V_{IN} = 5\text{ V}$ , $I_{OUT} = 1\text{ A}$ , $T_A = 25^{\circ}\text{C}$		30	39	$\text{m}\Omega$
$C_{OUT}$	OUT Load Capacitance <sup>(2)</sup>	$V_{IN} = 5\text{ V}$			1000	$\mu\text{F}$
$I_{OLVO}$	OVLO Input Leakage Current	$V_{OVLO} = V_{OVLO\_TH}$	-100		100	nA
$T_{SDN}$	Thermal Shutdown <sup>(2)</sup>			130		$^{\circ}\text{C}$
$T_{SDN\_HYS}$	Thermal Shutdown Hysteresis <sup>(2)</sup>			20		$^{\circ}\text{C}$

### Digital Signals

$V_{OL}$	#ACOK Output Low Voltage	$V_{IO} = 3.3\text{ V}$ , $I_{SINK} = 1\text{ mA}$			0.4	V
$V_{IH\_}\#EN$	Enable HIGH Voltage	$V_{IN} = 2.5\text{ V}$ to $V_{OVLO}$	1.2			V
$V_{IL\_}\#EN$	Enable LOW Voltage	$V_{IN} = 2.5\text{ V}$ to $V_{OVLO}$			0.5	V
$I_{ACOK\_LEAK}$	#ACOK Leakage Current	$V_{ACOK} = 3\text{ V}$ , #ACOK Deasserted	-0.5		0.5	$\mu\text{A}$
$\#EN\_Leak$	#EN Leakage Current	$V_{IN} = 5.0\text{ V}$ , $V_{OUT} = \text{Float}$	-1.0		1.0	$\mu\text{A}$

### Timing Characteristics

$t_{DEB}$	Debounce Time	Time from $2.5\text{ V} < V_{IN} < V_{IN\_OVLO}$ to $V_{OUT} = 0.1 \times V_{IN}$		15		ms
$t_{START}$	Soft-Start Time	Time from $V_{IN} = V_{IN\_min}$ to $0.2 \times \#ACOK$ , $V_{IO} = 1.8\text{ V}$ with $10\text{ k}\Omega$ Pull-up Resistor		30		ms
$t_{ON}$	Switch Turn-On Time	$R_L = 100\text{ }\Omega$ , $C_L = 22\text{ }\mu\text{F}$ , $V_{OUT}$ from $0.1 \times V_{IN}$ to $0.9 \times V_{IN}$		2		ms
$t_{OFF}$	Switch Turn-Off Time <sup>(2)</sup>	$R_L = 100\text{ }\Omega$ , $C_L = 0\text{ }\mu\text{F}$ , $V_{IN} > V_{OVLO}$ to $V_{OUT} = 0.8 \times V_{IN}$		125		ns

Product parametric performance is indicated in the Electrical Characteristics for the listed test conditions, unless otherwise noted. Product performance may not be indicated by the Electrical Characteristics if operated under different conditions.

2. Guaranteed by characterization and design.

Timing Diagrams

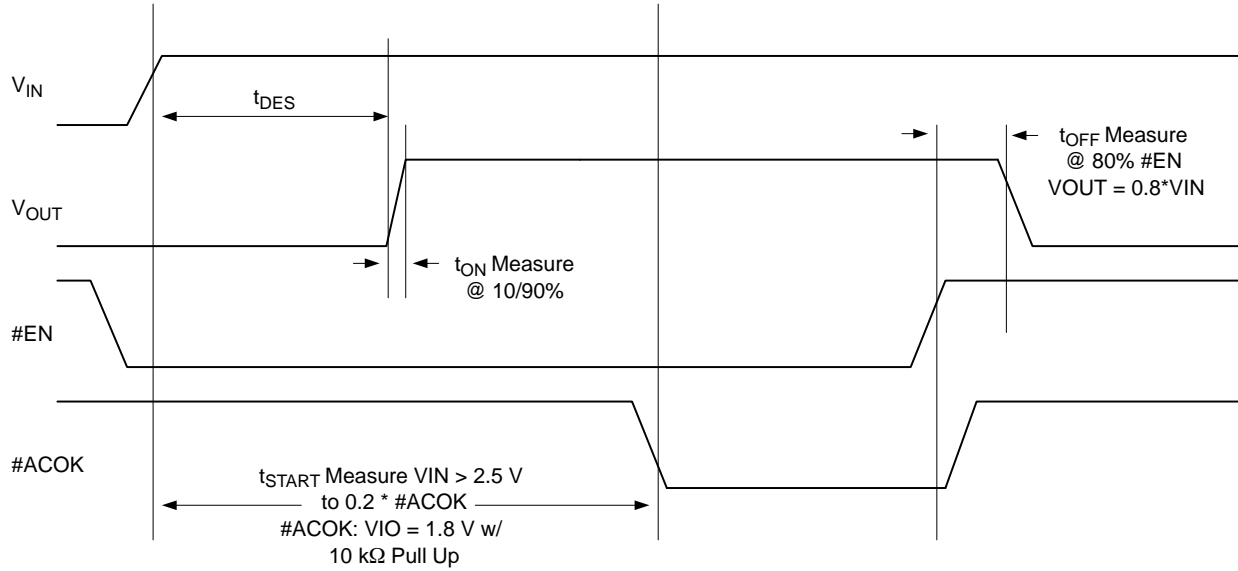


Figure 3. Timing for Power Up and Normal Operation

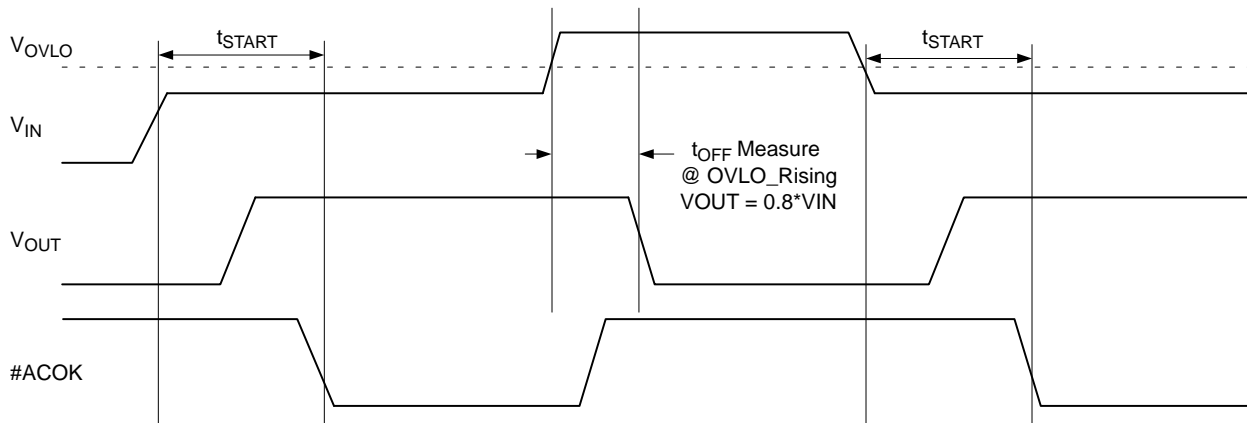


Figure 4. Timing for OVLO Trip

PRODUCT-SPECIFIC DIMENSIONS

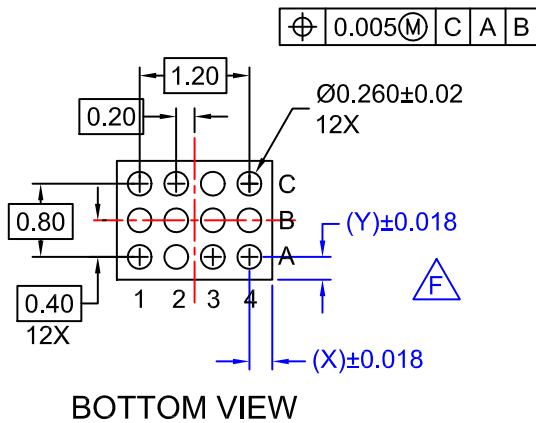
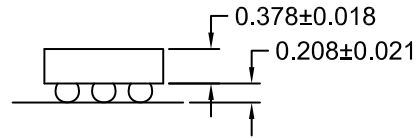
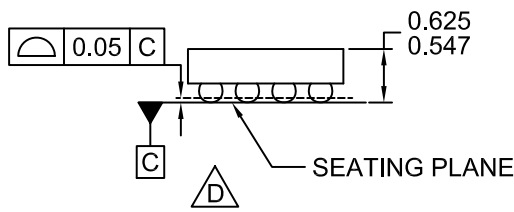
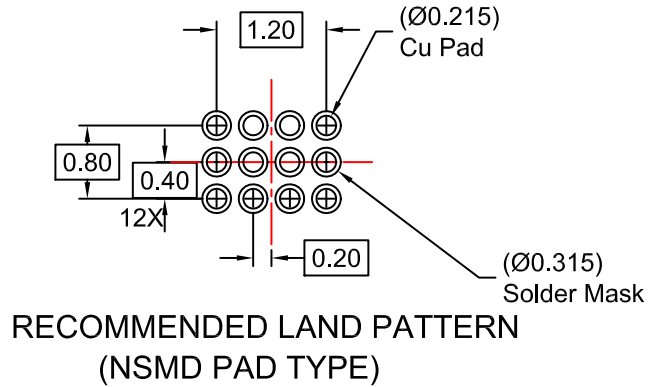
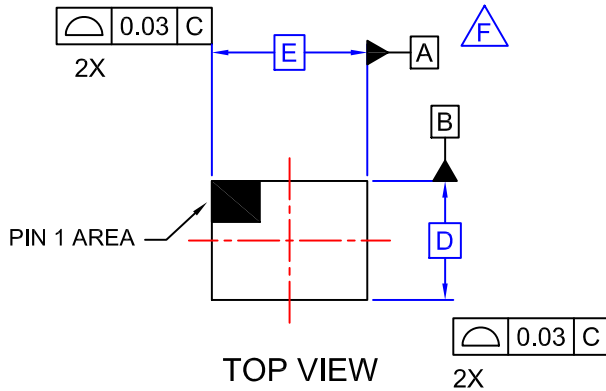
(The table below provides information regarding the WLCSP package on the following page.)

D	E	X	Y
1288 $\mu\text{m} \pm 30\ \mu\text{m}$	1828 $\mu\text{m} \pm 30\ \mu\text{m}$	314 $\mu\text{m} \pm 18\ \mu\text{m}$	244 $\mu\text{m} \pm 18\ \mu\text{m}$



**WLCSP12 1.288x1.828x0.586**  
CASE 567QX  
ISSUE O

DATE 31 OCT 2016



**NOTES:**

- A. NO JEDEC REGISTRATION APPLIES.
- B. DIMENSIONS ARE IN MILLIMETERS.
- C. DIMENSIONS AND TOLERANCES PER ASME Y14.5M, 2009.
- D. DATUM C IS DEFINED BY THE SPHERICAL CROWNS OF THE BALLS.
- E. PACKAGE NOMINAL HEIGHT IS 586 MICRONS ±39 MICRONS (547-625 MICRONS).
- F. FOR DIMENSIONS D, E, X, AND Y SEE PRODUCT DATASHEET.

<b>DOCUMENT NUMBER:</b>	<b>98AON13356G</b>	Electronic versions are uncontrolled except when accessed directly from the Document Repository. Printed versions are uncontrolled except when stamped "CONTROLLED COPY" in red.
<b>DESCRIPTION:</b>	<b>WLCSP12 1.288x1.828x0.586</b>	<b>PAGE 1 OF 1</b>

ON Semiconductor and are trademarks of Semiconductor Components Industries, LLC dba ON Semiconductor or its subsidiaries in the United States and/or other countries. ON Semiconductor reserves the right to make changes without further notice to any products herein. ON Semiconductor makes no warranty, representation or guarantee regarding the suitability of its products for any particular purpose, nor does ON Semiconductor assume any liability arising out of the application or use of any product or circuit, and specifically disclaims any and all liability, including without limitation special, consequential or incidental damages. ON Semiconductor does not convey any license under its patent rights nor the rights of others.

**onsemi**, **Onsemi**, and other names, marks, and brands are registered and/or common law trademarks of Semiconductor Components Industries, LLC dba "**onsemi**" or its affiliates and/or subsidiaries in the United States and/or other countries. **onsemi** owns the rights to a number of patents, trademarks, copyrights, trade secrets, and other intellectual property. A listing of **onsemi**'s product/patent coverage may be accessed at [www.onsemi.com/site/pdf/Patent-Marking.pdf](http://www.onsemi.com/site/pdf/Patent-Marking.pdf). **onsemi** reserves the right to make changes at any time to any products or information herein, without notice. The information herein is provided "as-is" and **onsemi** makes no warranty, representation or guarantee regarding the accuracy of the information, product features, availability, functionality, or suitability of its products for any particular purpose, nor does **onsemi** assume any liability arising out of the application or use of any product or circuit, and specifically disclaims any and all liability, including without limitation special, consequential or incidental damages. Buyer is responsible for its products and applications using **onsemi** products, including compliance with all laws, regulations and safety requirements or standards, regardless of any support or applications information provided by **onsemi**. "Typical" parameters which may be provided in **onsemi** data sheets and/or specifications can and do vary in different applications and actual performance may vary over time. All operating parameters, including "Typicals" must be validated for each customer application by customer's technical experts. **onsemi** does not convey any license under any of its intellectual property rights nor the rights of others. **onsemi** products are not designed, intended, or authorized for use as a critical component in life support systems or any FDA Class 3 medical devices or medical devices with a same or similar classification in a foreign jurisdiction or any devices intended for implantation in the human body. Should Buyer purchase or use **onsemi** products for any such unintended or unauthorized application, Buyer shall indemnify and hold **onsemi** and its officers, employees, subsidiaries, affiliates, and distributors harmless against all claims, costs, damages, and expenses, and reasonable attorney fees arising out of, directly or indirectly, any claim of personal injury or death associated with such unintended or unauthorized use, even if such claim alleges that **onsemi** was negligent regarding the design or manufacture of the part. **onsemi** is an Equal Opportunity/Affirmative Action Employer. This literature is subject to all applicable copyright laws and is not for resale in any manner.

## ADDITIONAL INFORMATION

### TECHNICAL PUBLICATIONS:

Technical Library: [www.onsemi.com/design/resources/technical-documentation](http://www.onsemi.com/design/resources/technical-documentation)  
onsemi Website: [www.onsemi.com](http://www.onsemi.com)

### ONLINE SUPPORT: [www.onsemi.com/support](http://www.onsemi.com/support)

For additional information, please contact your local Sales Representative at [www.onsemi.com/support/sales](http://www.onsemi.com/support/sales)