

6 引脚 DIP 无缓冲随机相位 Triac 驱动器

FOD420, FOD4208, FOD4216, FOD4218

说明

FOD420、FOD4208、FOD4216 和 FOD4218 器件包含一个红外线发光二极管，该二极管耦合至采用两个反向并联 SCR 形成的混合随机相位三端双向可控硅开关，形成能够驱动分立式三端双向可控硅开关的三端双向可控硅开关功能。FOD4216 和 FOD4218 采用一个高效红外线发光二极管提供增强的触发灵敏度。这些器件采用标准 6 引脚双列直插 (DIP) 封装。

产品特性

- 300 mA_{peak} 通态电流
- 高阻断电压
 - ◆ 600 V (FOD420, FOD4216)
 - ◆ 800 V (FOD4208, FOD4218)
- 高触发灵敏度
 - ◆ 1.3 mA (FOD4216, FOD4218)
 - ◆ 2 mA (FOD420, FOD4208)
- 高静态 dv/dt dv/dt (10,000 V/μs)
- 安全和法规认证:
 - ◆ UL1577, 5,000 VAC_{RMS} (1 分钟)
 - ◆ DIN-EN/IEC60747-5-5
- 器件不含铅, 满足 RoHS 标准

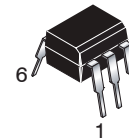
应用

- 固态继电器
- 工业控制
- 照明控制
- 静态功率开关
- AC 电机启动器

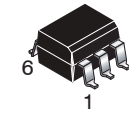


ON Semiconductor®

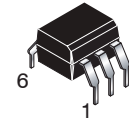
www.onsemi.cn



PDIP6 GW
CASE 709AG

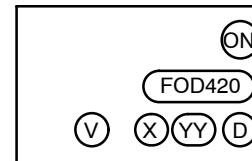


PDIP6 7.3x6.5, 2.54P
CASE 646CE



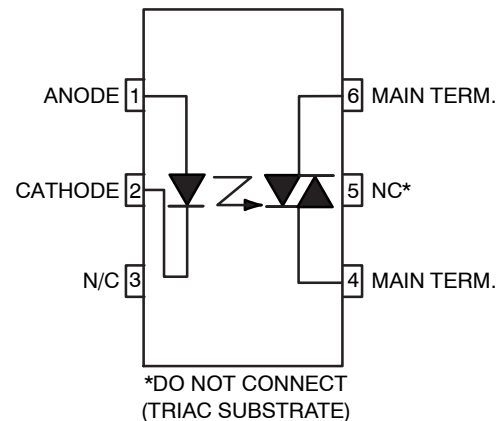
PDIP6 7.3x6.5, 2.54P
CASE 646CF

MARKING DIAGRAM



- ON = ON Semiconductor Logo
- FOD420 = Device Number
- V = VDE mark. DIN EN/IEC60747-5-5 Option (only appears on component ordered with this option)
- X = One-Digit Year Code
- YY = Digit Work Week
- D = Assembly Package Code

功能示意图



ORDERING INFORMATION

See detailed ordering and shipping information on page 8 of this data sheet.

FOD420, FOD4208, FOD4216, FOD4218

安全性和绝缘标准

参数	特性
基于 0110/1.89 表 1 的安装分类, 提供额定电源电压	< 150 V _{RMS}
	< 300 V _{RMS}
气候分类	55/100/21
污染等级(DIN VDE 0110/1.89)	2
相比漏电起痕指数	175

符号	参数	数值	单位
V _{PR}	输入至输出测试电压, 方法 A, V _{IORM} × 1.6 = V _{PR} , 型式和样品测试, t _m = 10 s, 局部放电 < 5 pC	1360	V _{peak}
	输入至输出测试电压, 方法 B, V _{IORM} × 1.875 = V _{PR} , 100% 生产测试, t _m = 1 s, 局部放电 < 5 pC	1594	V _{peak}
V _{IORM}	最大工作绝缘电压	850	V _{peak}
V _{IOTM}	最高允许过电压	6000	V _{peak}
	外部爬电距离	≥7	mm
	外部绝缘间隙	≥7	mm
DTI	绝缘穿透距离 (绝缘厚度)	≥0.4	mm
T _S	壳温 (注意 1)	175	°C
I _{S,INPUT}	输入电流 (注意 1)	400	mA
P _{S,OUTPUT}	输出功率 (注意 1)	700	mW
R _{IO}	T _S 、V _{IO} = 500 V (注意 1) 时的绝缘阻抗	>10 ⁹	Ω

根据 DIN EN/IEC 60747-5-5, 此光电耦合器仅适用于安全极限数据之内的“安全电气绝缘”。通过保护性电路确保各项安全标准达标。
 1. 安全极限值 - 发生故障时允许的最大值。

FOD420, FOD4208, FOD4216, FOD4218

绝对最大额定值 (除非另有说明, $T_A = 25^\circ\text{C}$)

符号	参数	器件	数值	单位
T_{STG}	存储温度	所有	-55 至 +150	$^\circ\text{C}$
T_{OPR}	工作温度	所有	-55 至 +100	$^\circ\text{C}$
T_J	结温的关系	所有	-55 至 +125	$^\circ\text{C}$
T_{SOL}	引脚焊接温度	所有	10 秒 260	$^\circ\text{C}$
$P_{D(TOTAL)}$	器件总功耗(25 $^\circ\text{C}$ 时)	所有	500	mW
	超过 25 $^\circ\text{C}$ 时降额	所有	6.6	mW/ $^\circ\text{C}$

EMITTER

I_F	连续正向电流	所有	30	mA
V_R	反向电压的关系	所有	6	V
$P_{D(EMITTER)}$	总功耗 (25 $^\circ\text{C}$ 环境温度时)	所有	50	mW
	超过 25 $^\circ\text{C}$ 时降额	所有	0.71	mW/ $^\circ\text{C}$

DETECTOR

V_{DRM}	断态输出端电压	FOD420, FOD4216	600	V
		FOD4208, FOD4218	800	
I_{TSM}	峰值非重复浪涌电流 (单循环 60 Hz 正弦波)	所有	3	A_{peak}
I_{TM}	峰值通态电流	所有	300	mA_{peak}
$P_{D(DETECTOR)}$	总功耗 (25 $^\circ\text{C}$ 环境温度时)	所有	450	mW
	超过 25 $^\circ\text{C}$ 时降额	所有	5.9	mW/ $^\circ\text{C}$

Stresses exceeding those listed in the Maximum Ratings table may damage the device. If any of these limits are exceeded, device functionality should not be assumed, damage may occur and reliability may be affected.

(参考译文)

如果电压超过最大额定值表中列出的值范围, 器件可能会损坏。如果超过任何这些限值, 将无法保证器件功能, 可能会导致器件损坏, 影响可靠性。

FOD420, FOD4208, FOD4216, FOD4218

电气特性 (除非另有说明, $T_A = 25^\circ\text{C}$)

符号	参数	测试条件	器件	最小值	典型值	最大值	单位
----	----	------	----	-----	-----	-----	----

独立元器件特性

发射极								
V_F	输入正向电压	$I_F = 20\text{ mA}$	所有	-	1.28	1.50	V	
I_R	反向漏电流	$V_R = 6\text{ V}$	所有	-	0.01	10	μA	
检测器								
$I_{D(RMS)}$	峰值阻断电流, 任一方向	$I_F = 0,$ $T_A = 100^\circ\text{C}$ (注意 2)	$V_D = 600\text{ V}$	FOD420, FOD4216	-	3	100	μA
			$V_D = 800\text{ V}$	FOD4208, FOD4218				
$I_{R(RMS)}$	反向电流	$T_A = 100^\circ\text{C}$	$V_D = 600\text{ V}$	FOD420, FOD4216	-	3	100	μA
			$V_D = 800\text{ V}$	FOD4208, FOD4218				
dv/dt	关断电压 上升临界值	$I_F = 0\text{ A}$ (注意 3)	$V_D = V_{DRM}$	所有	10,000	-	-	V/ μs

TRANSFER CHARACTERISTICS

I_{FT}	LED 触发电流	主端电压 = 5 V (注意 4)	FOD420, FOD4208	-	0.75	2.0	mA	
			FOD4216, FOD4218	-	0.75	1.3		
V_{TM}	峰值通态电压, 任一方向	$I_{TM} = 300\text{ mA}$ (峰值), $I_F = \text{额定值 } I_{FT}$	所有	-	2.2	3	V	
I_H	维持电流, 任一方向	$V_T = 3\text{ V}$	所有	-	200	500	μA	
I_L	门锁电流	$V_T = 2.2\text{ V}$	所有	-	5	-	mA	
t_{ON}	导通时间	PF = 1.0, $I_T = 300\text{ mA}$	$V_{RM} = V_{DM} = 424\text{ VAC}$	FOD420, FOD4216, FOD4218	-	60	-	μs
			$V_{RM} = V_{DM} = 565\text{ VAC}$	FOD4208				
t_{OFF}	关断时间		$V_{RM} = V_{DM} = 424\text{ VAC}$	FOD420, FOD4216, FOD4218	-	52	-	μs
			$V_{RM} = V_{DM} = 565\text{ VAC}$	FOD4208				
dv/dt _C	换流时的电压临界上升率	$V_D = 230\text{ V}_{RMS}, I_D = 300\text{ mA}_{PK}$	所有	-	10	-	V/ μs	
di/dt _C	通态电流临界上升率	$V_D = 230\text{ V}_{RMS}, I_D = 300\text{ mA}_{PK}$	所有	-	9	-	A/ms	
dv(i _O)/dt	耦合输入 / 输出电压上升临界值	$I_T = 0\text{ A}, V_{RM} = V_{DM} = 424\text{ VAC}$	所有	10,000	-	-	V/ μs	

ISOLATION CHARACTERISTICS

V_{ISO}	稳态隔离电压	f = 60 Hz, t = 1 分钟 (注意 5)	所有	5,000	-	-	VAC _{RMS}
-----------	--------	----------------------------	----	-------	---	---	--------------------

Product parametric performance is indicated in the Electrical Characteristics for the listed test conditions, unless otherwise noted. Product performance may not be indicated by the Electrical Characteristics if operated under different conditions.

(参考译文)

除非另有说明, “电气特性”表格中列出的是所列测试条件下的产品性能参数。如果在不同条件下运行, 产品性能可能与“电气特性”表格中所列性能参数不一致。

2. 必须在 dv/dt 额定值范围内施加测试电压。

3. 这就是静态 dv/dt。换向dv/dt 只与负载驱动晶闸管有关。

4. 保证所有器件都能在 I_F 值小于或等于最大 I_{FT} 时触发。因此, 推荐的工作 I_F 介于最大 I_{FT} (对于 FOD420 和 FOD4208 为 2 mA, 对于 FOD4216 和 FOD4218 为 1.3 mA) 与绝对最大 I_F (60 mA) 之间。

5. 隔离电压 V_{ISO} 是内部器件介质击穿额定电压。对于该测试, 引脚 1、2 和 3 共用, 引脚 4、5 和 6 共用。5,000 VAC_{RMS} 持续 1 分钟相当于 6,000 VAC_{RMS} 持续 1 秒钟。

FOD420, FOD4208, FOD4216, FOD4218

典型应用

Figure 1 shows a typical circuit for when hot line switching is required. In this circuit the “hot” side of the line is switched and the load connected to the cold or neutral side. The load may be connected to either the neutral or hot line.

R_{in} is calculated so that IF is equal to the rated IFT of the

part, 2 mA for FOD420 and FOD4208, 1.3 mA for FOD4216 and FOD4218. The $39\ \Omega$ resistor and $0.01\ \mu\text{F}$ capacitor are for snubbing of the triac and may or may not be necessary depending upon the particular triac and load use.



Figure 1. Hot-Line Switching Application Circuit

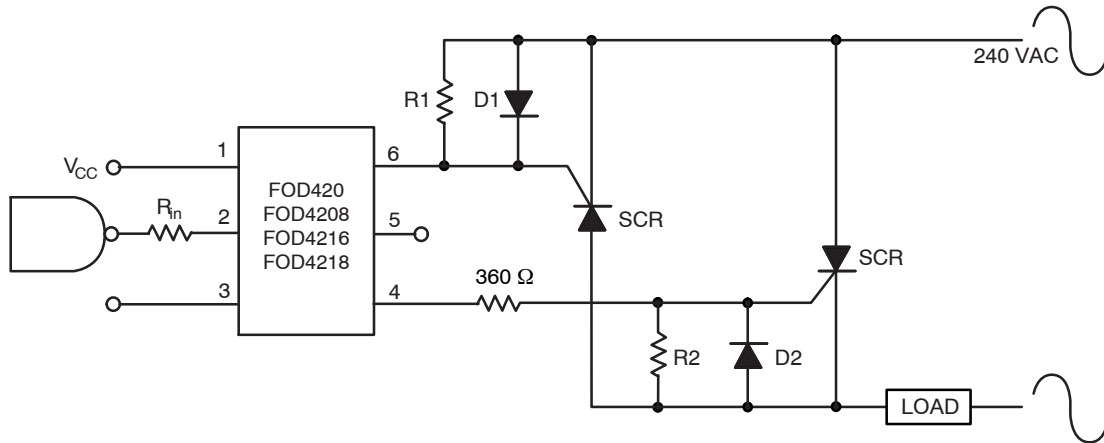


Figure 2. Inverse-Parallel SCR Driver Circuit

Suggested method of firing two, back-to-back SCR's with On Semiconductor triac driver. Diodes can be 1N4001; resistors, R1 and R2, are optional $330\ \Omega$.

NOTE: This optoisolator should not be used to drive a load directly. It is intended to be a discrete triac driver device only.

典型性能特征



Figure 3. Forward Voltage (V_F) vs. Forward Current (I_F)



Figure 4. Normalized LED Trigger Current (I_{FT}) vs. Ambient Temperature (T_A)



Figure 5. Peak LED Current vs. Duty Factor, Tau

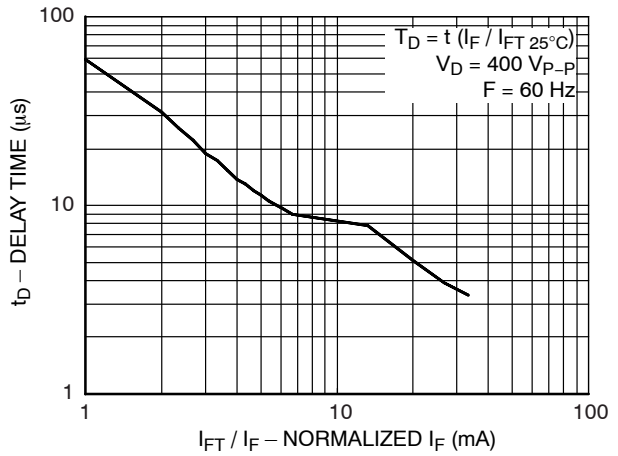


Figure 6. Trigger Delay Time



Figure 7. Pulse Trigger Current



Figure 8. On-State Voltage (V_{TM}) vs. On-State Current (I_{TM})

典型性能特性 (接上页)

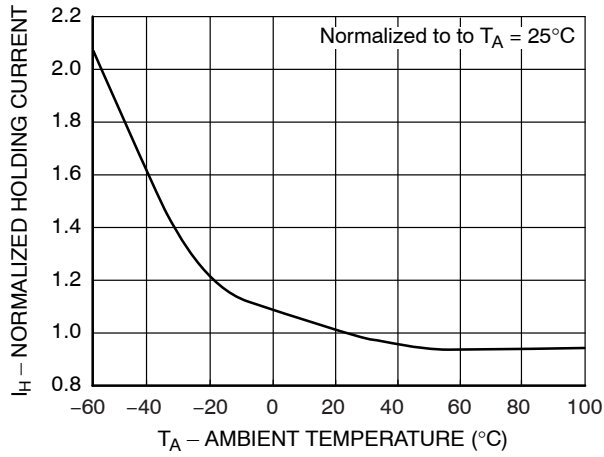


Figure 9. Normalized Holding Current (I_H) vs. Ambient Temperature (T_A)

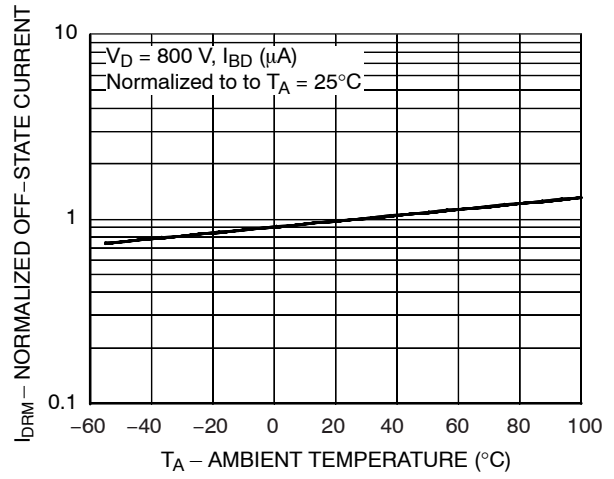


Figure 10. Normalized Off-State Current (I_{DRM}) vs. Ambient Temperature (T_A)

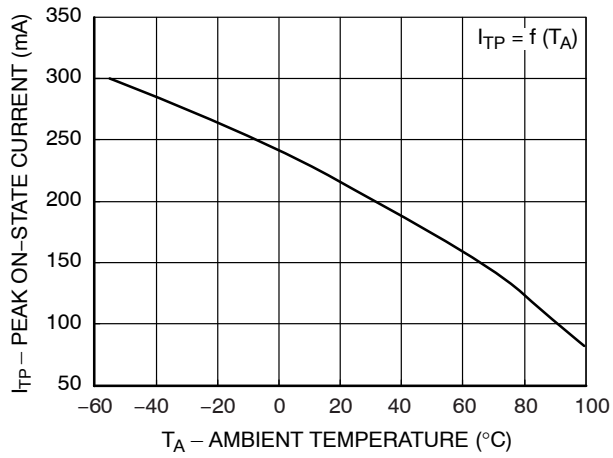
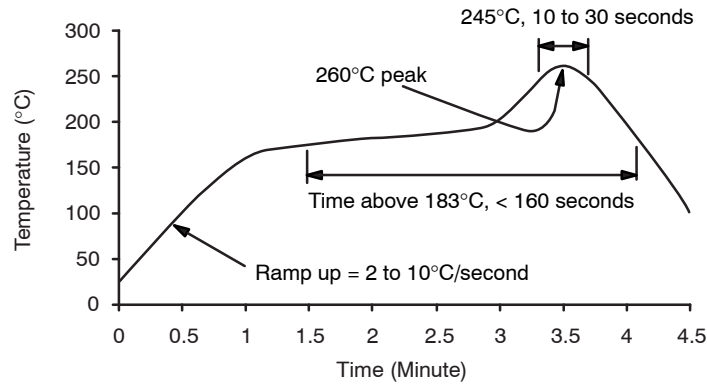


Figure 11. Current Reduction

REFLOW PROFILE



- Peak reflow temperature: 262°C (package surface temperature)
- Time of temperature higher than 183°C for 160 seconds or less
- One time soldering reflow is recommended

Figure 12. Reflow Profile

订购信息

部件编号	封装	封装方法†
FOD420	DIP 6-Pin	管状包装 (50 单位)
FOD420S	SMT 6 引脚(引脚弯曲)	管状包装 (50 单位)
FOD420SD	SMT 6 引脚(引脚弯曲)	卷带包装 (1000 单位)
FOD420V	DIP 6 引脚、DIN EN/IEC 60747-5-5 选项	管状包装 (50 单位)
FOD420SV	SMT 6 引脚 (弯曲引线)、DIN EN/IEC 60747-5-5 选项	管状包装 (50 单位)
FOD420SDV	SMT 6 引脚 (弯曲引线)、DIN EN/IEC 60747-5-5 选项	卷带包装 (1000 单位)
FOD420TV	DIP 6 引脚、0.4" 引脚间距、DIN EN/IEC 60747-5-5 选项	管状包装 (50 单位)

†For information on tape and reel specifications, including part orientation and tape sizes, please refer to our Tape and Reel Packaging Specifications Brochure, BRD8011/D.

6. 该表中所列的可订购产品部件编号系统同样适用于 FOD4208、FOD4216 和 FOD4218 产品系列。

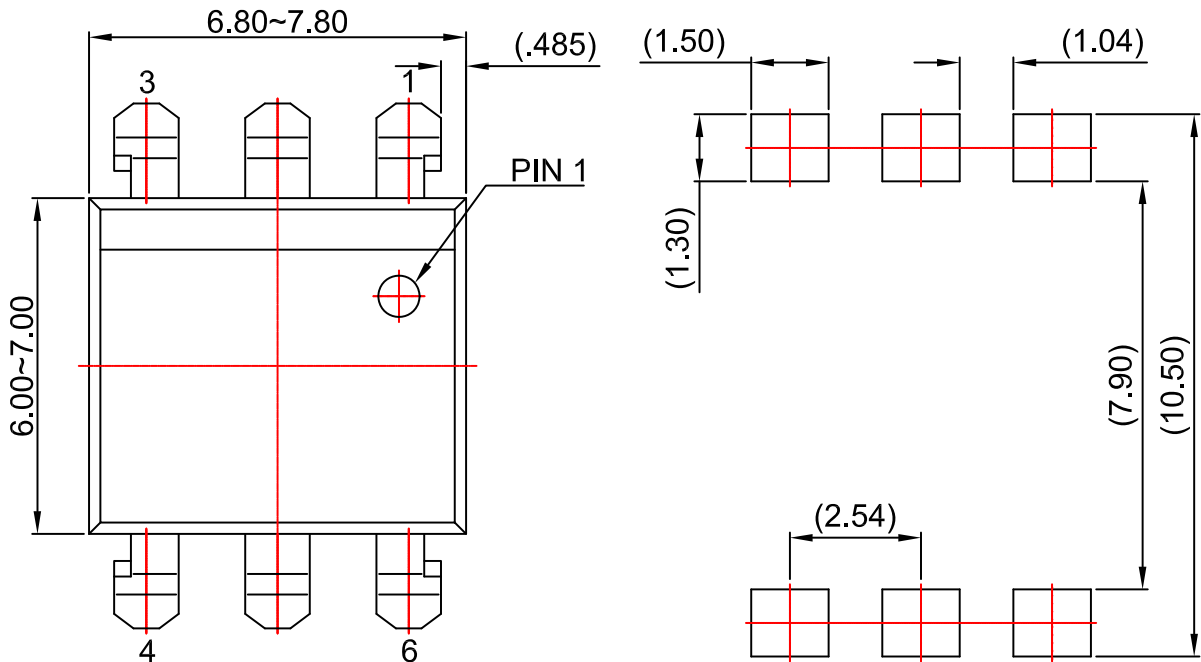
MECHANICAL CASE OUTLINE
PACKAGE DIMENSIONS

ON Semiconductor®

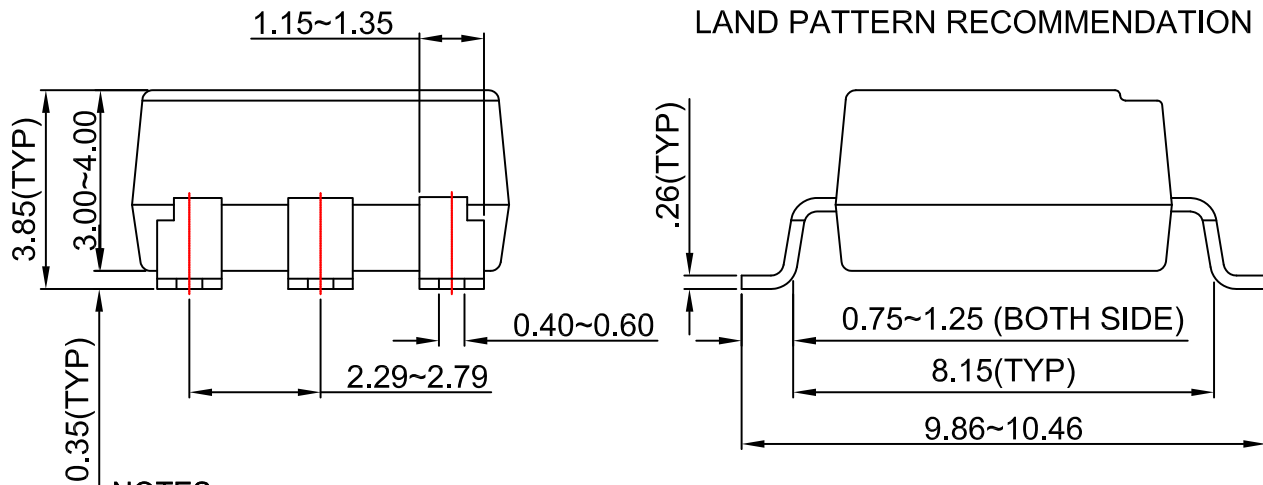


PDIP6 7.3x6.5, 2.54P
CASE 646CE
ISSUE O

DATE 31 JUL 2016



LAND PATTERN RECOMMENDATION



NOTES:

- A) NO STANDARD APPLIES TO THIS PACKAGE.
- B) ALL DIMENSIONS ARE IN MILLIMETERS.
- C) DIMENSIONS ARE EXCLUSIVE OF BURRS, MOLD FLASH, AND TIE BAR EXTRUSION

DOCUMENT NUMBER:	98AON13456G	Electronic versions are uncontrolled except when accessed directly from the Document Repository. Printed versions are uncontrolled except when stamped "CONTROLLED COPY" in red.
DESCRIPTION:	PDIP6 7.3X6.5, 2.54P	PAGE 1 OF 1

ON Semiconductor and are trademarks of Semiconductor Components Industries, LLC dba ON Semiconductor or its subsidiaries in the United States and/or other countries. ON Semiconductor reserves the right to make changes without further notice to any products herein. ON Semiconductor makes no warranty, representation or guarantee regarding the suitability of its products for any particular purpose, nor does ON Semiconductor assume any liability arising out of the application or use of any product or circuit, and specifically disclaims any and all liability, including without limitation special, consequential or incidental damages. ON Semiconductor does not convey any license under its patent rights nor the rights of others.

MECHANICAL CASE OUTLINE

PACKAGE DIMENSIONS

ON Semiconductor®



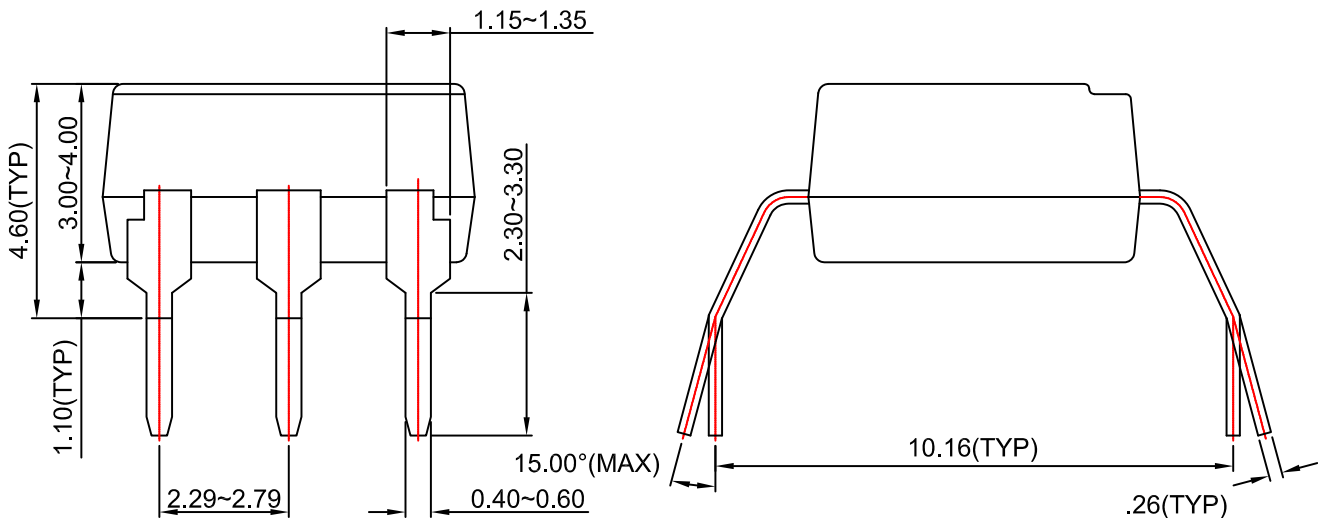
PDIP6 7.3x6.5, 2.54P
CASE 646CF
ISSUE O

DATE 31 JUL 2016



NOTES:

- A) NO STANDARD APPLIES TO THIS PACKAGE.
- B) ALL DIMENSIONS ARE IN MILLIMETERS.
- C) DIMENSIONS ARE EXCLUSIVE OF BURRS, MOLD FLASH, AND TIE BAR EXTRUSION



DOCUMENT NUMBER:	98AON13457G	Electronic versions are uncontrolled except when accessed directly from the Document Repository. Printed versions are uncontrolled except when stamped "CONTROLLED COPY" in red.
DESCRIPTION:	PDIP6 7.3X6.5, 2.54P	PAGE 1 OF 1

ON Semiconductor and are trademarks of Semiconductor Components Industries, LLC dba ON Semiconductor or its subsidiaries in the United States and/or other countries. ON Semiconductor reserves the right to make changes without further notice to any products herein. ON Semiconductor makes no warranty, representation or guarantee regarding the suitability of its products for any particular purpose, nor does ON Semiconductor assume any liability arising out of the application or use of any product or circuit, and specifically disclaims any and all liability, including without limitation special, consequential or incidental damages. ON Semiconductor does not convey any license under its patent rights nor the rights of others.

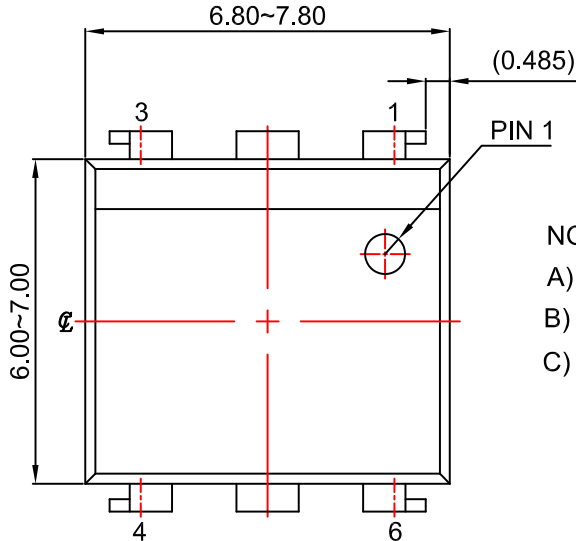
MECHANICAL CASE OUTLINE

PACKAGE DIMENSIONS

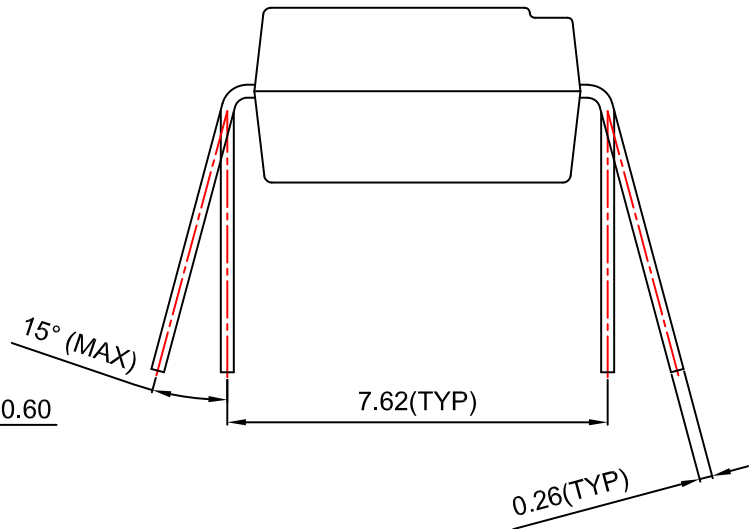
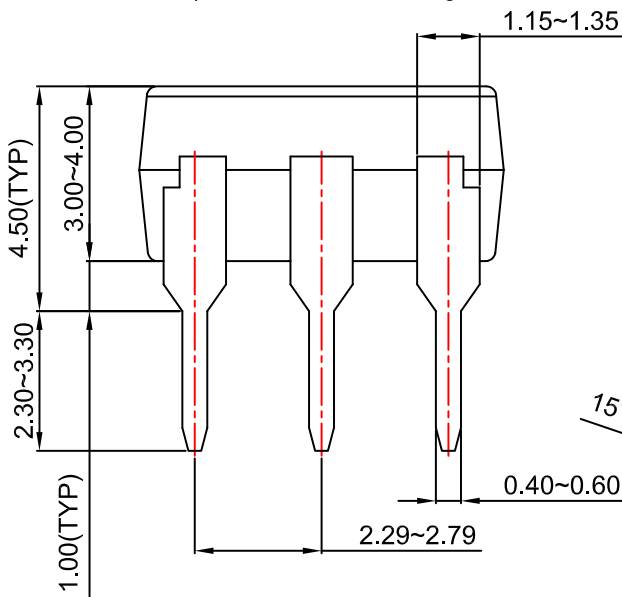


PDIP6 GW
CASE 709AG
ISSUE A

DATE 31 JUL 2016



- NOTES:
- A) NO STANDARD APPLIES TO THIS PACKAGE.
 - B) ALL DIMENSIONS ARE IN MILLIMETERS.
 - C) DIMENSIONS ARE EXCLUSIVE OF BURRS, MOLD FLASH, AND TIE BAR EXTRUSION



DOCUMENT NUMBER:	98AON13455G	Electronic versions are uncontrolled except when accessed directly from the Document Repository. Printed versions are uncontrolled except when stamped "CONTROLLED COPY" in red.
DESCRIPTION:	PDIP6 GW	PAGE 1 OF 1

ON Semiconductor and are trademarks of Semiconductor Components Industries, LLC dba ON Semiconductor or its subsidiaries in the United States and/or other countries. ON Semiconductor reserves the right to make changes without further notice to any products herein. ON Semiconductor makes no warranty, representation or guarantee regarding the suitability of its products for any particular purpose, nor does ON Semiconductor assume any liability arising out of the application or use of any product or circuit, and specifically disclaims any and all liability, including without limitation special, consequential or incidental damages. ON Semiconductor does not convey any license under its patent rights nor the rights of others.

onsemi, **Onsemi**, and other names, marks, and brands are registered and/or common law trademarks of Semiconductor Components Industries, LLC dba "**onsemi**" or its affiliates and/or subsidiaries in the United States and/or other countries. **onsemi** owns the rights to a number of patents, trademarks, copyrights, trade secrets, and other intellectual property. A listing of **onsemi**'s product/patent coverage may be accessed at www.onsemi.com/site/pdf/Patent-Marking.pdf. **onsemi** reserves the right to make changes at any time to any products or information herein, without notice. The information herein is provided "as-is" and **onsemi** makes no warranty, representation or guarantee regarding the accuracy of the information, product features, availability, functionality, or suitability of its products for any particular purpose, nor does **onsemi** assume any liability arising out of the application or use of any product or circuit, and specifically disclaims any and all liability, including without limitation special, consequential or incidental damages. Buyer is responsible for its products and applications using **onsemi** products, including compliance with all laws, regulations and safety requirements or standards, regardless of any support or applications information provided by **onsemi**. "Typical" parameters which may be provided in **onsemi** data sheets and/or specifications can and do vary in different applications and actual performance may vary over time. All operating parameters, including "Typicals" must be validated for each customer application by customer's technical experts. **onsemi** does not convey any license under any of its intellectual property rights nor the rights of others. **onsemi** products are not designed, intended, or authorized for use as a critical component in life support systems or any FDA Class 3 medical devices or medical devices with a same or similar classification in a foreign jurisdiction or any devices intended for implantation in the human body. Should Buyer purchase or use **onsemi** products for any such unintended or unauthorized application, Buyer shall indemnify and hold **onsemi** and its officers, employees, subsidiaries, affiliates, and distributors harmless against all claims, costs, damages, and expenses, and reasonable attorney fees arising out of, directly or indirectly, any claim of personal injury or death associated with such unintended or unauthorized use, even if such claim alleges that **onsemi** was negligent regarding the design or manufacture of the part. **onsemi** is an Equal Opportunity/Affirmative Action Employer. This literature is subject to all applicable copyright laws and is not for resale in any manner.

ADDITIONAL INFORMATION

TECHNICAL PUBLICATIONS:

Technical Library: www.onsemi.com/design/resources/technical-documentation
onsemi Website: www.onsemi.com

ONLINE SUPPORT: www.onsemi.com/support

For additional information, please contact your local Sales Representative at www.onsemi.com/support/sales

