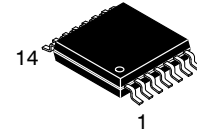


Low Voltage Dual D-Type Positive Edge-Triggered Flip-Flop

74LVX74



TSSOP-14 WB
CASE 948G

General Description

The LVX74 is a dual D-type flip-flop with Asynchronous Clear and Set inputs and complementary (Q, \bar{Q}) outputs. Information at the input is transferred to the outputs on the positive edge of the clock pulse. After the Clock Pulse input threshold voltage has been passed, the Data input is locked out and information present will not be transferred to the outputs until the next rising edge of the Clock Pulse input.

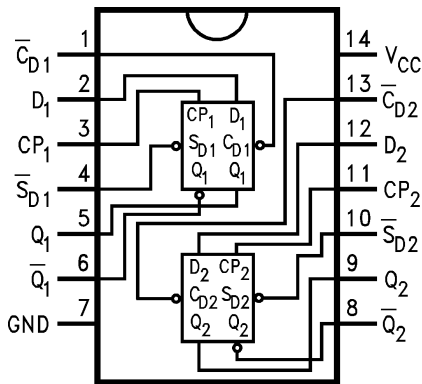
Asynchronous Inputs:

- LOW Input to \bar{S}_D (Set) Sets Q to HIGH Level
- LOW Input to \bar{C}_D (Clear) Sets Q to LOW Level
- Clear and Set are Independent of Clock
- Simultaneous LOW on \bar{C}_D and \bar{S}_D Makes Both Q and \bar{Q} HIGH

Features

- Input Voltage Level Translation from 5 V to 3 V
- Ideal for Low Power/Low Noise 3.3 V Applications
- Guaranteed Simultaneous Switching Noise Level and Dynamic Threshold Performance
- Pb-Free, Halogen Free/BFR Free and RoHS Compliant

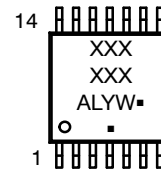
Connection Diagram



Pin Description

Pin Names	Description
D ₁ , D ₂	Data Inputs
CP ₁ , CP ₂	Clock Pulse Inputs
\bar{C}_D1 , \bar{C}_D2	Direct Clear Inputs
\bar{S}_D1 , \bar{S}_D2	Direct Set Inputs
Q ₁ , \bar{Q}_1 , Q ₂ , \bar{Q}_2	Outputs

MARKING DIAGRAM



- XXX = Specific Device Code
- A = Assembly Location
- L = Wafer Lot
- Y = Year
- W = Work Week
- = Pb-Free Package

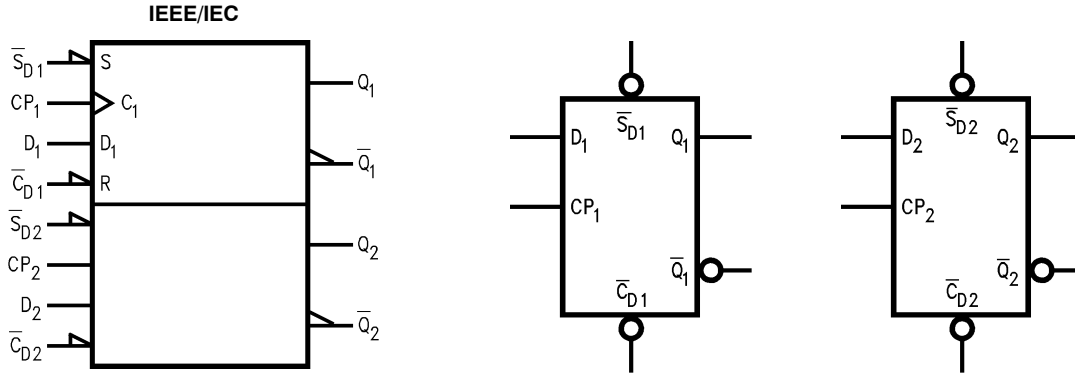
(Note: Microdot may be in either location)

ORDERING INFORMATION

See detailed ordering and shipping information on page 5 of this data sheet.

74LVX74

Logic Symbols



Truth Table (Each Half)

Inputs				Outputs	
\bar{S}_D	\bar{C}_D	CP	D	Q	\bar{Q}
L	H	X	X	H	L
H	L	X	X	L	H
L	L	X	X	H	H
H	H	↗	H	H	L
H	H	↘	L	L	H
H	H	L	X	Q_0	\bar{Q}_0

H = HIGH Voltage Level

L = LOW Voltage Level

X = Immaterial

↗ = LOW-to-HIGH Clock Transition

Q_0 (\bar{Q}_0) = Previous Q (\bar{Q}) before LOW-to-HIGH Transition of Clock

74LVX74

ABSOLUTE MAXIMUM RATINGS

Symbol	Parameter	Rating	Unit	
V_{CC}	Supply Voltage	-0.5 to +6.5	V	
I_{IK}	DC Input Diode Current, $V_I = -0.5$ V	-20	mA	
V_I	DC Input Voltage	-0.5 to +6.5	V	
I_{OK}	DC Output Diode Current	$V_O = -0.5$ V	-20	mA
		$V_O = V_{CC} + 0.5$ V	+20	mA
V_O	DC Output Voltage	-0.5 to $V_{CC} + 0.5$	V	
I_O	DC Output Source or Sink Current	± 25	mA	
I_{CC} or I_{GND}	DC V_{CC} or Ground Current	± 50	mA	
T_{STG}	Storage Temperature	-65 to +150	$^{\circ}$ C	
P_D	Power Dissipation	833	mW	

Stresses exceeding those listed in the Maximum Ratings table may damage the device. If any of these limits are exceeded, device functionality should not be assumed, damage may occur and reliability may be affected.

RECOMMENDED OPERATING CONDITIONS (Note 1)

Symbol	Parameter	Rating	Unit
V_{CC}	Supply Voltage	2.0 to 3.6	V
V_I	Input Voltage	0 to 5.5	V
V_O	Output Voltage	0 to V_{CC}	V
T_A	Operating Temperature	-40 to +85	$^{\circ}$ C
$\Delta t / \Delta V$	Input Rise and Fall Time	0 to 100	ns/V

Functional operation above the stresses listed in the Recommended Operating Ranges is not implied. Extended exposure to stresses beyond the Recommended Operating Ranges limits may affect device reliability.

1. Unused inputs must be held HIGH or LOW. They may not float.

74LVX74

DC ELECTRICAL CHARACTERISTICS

Symbol	Parameter	V _{CC} (V)	Conditions	T _A = 25°C			T _A = -40°C to +85°C		Unit
				Min	Typ	Max	Min	Max	
V _{IH}	HIGH Level Input Voltage	2.0		1.5	-	-	1.5	-	V
		3.0		2.0	-	-	2.0	-	
		3.6		2.4	-	-	2.4	-	
V _{IL}	LOW Level Input Voltage	2.0		-	-	0.5	-	0.5	V
		3.0		-	-	0.8	-	0.8	
		3.6		-	-	0.8	-	0.8	
V _{OH}	HIGH Level Output Voltage	2.0	V _{IN} = V _{IL} or V _{IH} , I _{OH} = -50 μA	1.9	2.0	-	1.9	-	V
		3.0	V _{IN} = V _{IL} or V _{IH} , I _{OH} = -50 μA	2.9	3.0	-	2.9	-	
			V _{IN} = V _{IL} or V _{IH} , I _{OH} = -4 mA	2.58	-	-	2.48	-	
V _{OL}	LOW Level Output Voltage	2.0	V _{IN} = V _{IL} or V _{IH} , I _{OL} = 50 μA	-	0.0	0.1	-	0.1	V
		3.0	V _{IN} = V _{IL} or V _{IH} , I _{OL} = 50 μA	-	0.0	0.1	-	0.1	
			V _{IN} = V _{IL} or V _{IH} , I _{OL} = 4 mA	-	-	0.36	-	0.44	
I _{IN}	Input Leakage Current	3.6	V _{IN} = 5.5 V or GND	-	-	±0.1	-	±1.0	μA
I _{CC}	Quiescent Supply Current	3.6	V _{IN} = V _{CC} or GND	-	-	2.0	-	20.0	μA

NOISE CHARACTERISTICS (Note 2)

Symbol	Characteristic	V _{CC} (V)	C _L (pF)	T _A = 25°C		Unit
				Typ	Limit	
V _{OLP}	Quiet Output Maximum Dynamic V _{OL}	3.3	50	0.3	0.5	V
V _{OLV}	Quiet Output Minimum Dynamic V _{OL}	3.3	50	-0.3	-0.5	V
V _{IHD}	Minimum HIGH Level Dynamic Input Voltage	3.3	50	-	2.0	V
V _{ILD}	Maximum LOW Level Dynamic Input Voltage	3.3	50	-	0.8	V

2. Input t_r = t_f = 3.0 ns

74LVX74

AC ELECTRICAL CHARACTERISTICS

Symbol	Parameter	V _{CC} (V)	C _L (pF)	T _A = 25°C			T _A = -40 to 85°C		Unit
				Min	Typ	Max	Min	Max	
t _{PLH} , t _{PHL}	Propagation Delay CP _n to Q _n or \bar{Q}_n	2.7	15	-	7.3	15.0	1.0	18.5	ns
			50	-	9.8	18.5	1.0	22.0	
		3.3 ± 0.3	15	-	5.7	9.7	1.0	11.5	
			50	-	8.2	13.2	1.0	15.0	
t _{PLH} , t _{PHL}	Propagation Delay \bar{C}_{Dn} to \bar{S}_{Dn} to Q _n or \bar{Q}_n	2.7	15	-	8.4	15.6	1.0	18.5	ns
			50	-	10.9	19.1	1.0	22.0	
		3.3 ± 0.3	15	-	6.6	10.1	1.0	12.0	
			50	-	9.1	13.6	1.0	15.5	
t _W	CP _n or \bar{C}_{Dn} or \bar{S}_{Dn} Pulse Width	2.7	-	8.5	-	-	10.0	-	ns
			3.3 ± 0.3	-	6.0	-	-	7.0	
t _S	Setup Time, D _n to CP _n	2.7	-	8.0	-	-	9.5	-	ns
			3.3 ± 0.3	-	5.5	-	-	6.5	
t _H	Hold Time, D _n to CP _n	2.7	-	0.5	-	-	0.5	-	ns
			3.3 ± 0.3	-	0.5	-	-	0.5	
t _{REC}	Recovery Time, CP _n or \bar{S}_{Dn} to CP _n	2.7	-	6.5	-	-	7.5	-	ns
			3.3 ± 0.3	-	5.0	-	-	5.0	
f _{MAX}	Maximum Clock Frequency	2.7	15	55	135	-	50	-	MHz
			50	45	60	-	40	-	
		3.3 ± 0.3	15	95	145	-	80	-	
			50	60	85	-	50	-	
t _{OSLH} , t _{OSSL}	Output to Output Skew (Note 3)	2.7	50	-	-	1.5	-	1.5	ns
				3.3	-	-	1.5	-	

3. Parameter guaranteed by design t_{OSLH} = |t_{PLHm} - t_{PLHn}|, t_{OSSL} = |t_{PHLm} - t_{PHLn}|

CAPACITANCE

Symbol	Parameter	T _A = 25°C			T _A = -40 to +85°C		Unit
		Min	Typ	Max	Min	Max	
C _{IN}	Input Capacitance	-	4	10	-	10	pF
C _{PD}	Power Dissipation Capacitance (Note 4)	-	25	-	-	-	pF

4. C_{PD} is defined as the value of the internal equivalent capacitance which is calculated from the operating current consumption without load.

Average operating current can be obtained by the equation:
$$I_{CC(opr.)} = \frac{C_{PD} \times V_{CC} \times f_{IN} \times I_{CC}}{2 \text{ (per F/F)}}$$

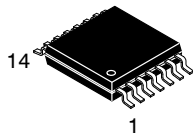
ORDERING INFORMATION

Device	Package	Marking	Shipping [†]
74LVX74MTCX	TSSOP-14	LVX 74	2500 / Tape & Reel

[†]For information on tape and reel specifications, including part orientation and tape sizes, please refer to our Tape and Reel Packaging Specifications Brochure, [BRD8011/D](#).

*-Q Suffix for Automotive and Other Applications Requiring Unique Site and Control Change Requirements; AEC-Q100 Qualified and PPAP Capable

MECHANICAL CASE OUTLINE PACKAGE DIMENSIONS



TSSOP-14 WB
CASE 948G
ISSUE C

DATE 17 FEB 2016

SCALE 2:1



NOTES:

1. DIMENSIONING AND TOLERANCING PER ANSI Y14.5M, 1982.
2. CONTROLLING DIMENSION: MILLIMETER.
3. DIMENSION A DOES NOT INCLUDE MOLD FLASH, PROTRUSIONS OR GATE BURRS. MOLD FLASH OR GATE BURRS SHALL NOT EXCEED 0.15 (0.006) PER SIDE.
4. DIMENSION B DOES NOT INCLUDE INTERLEAD FLASH OR PROTRUSION. INTERLEAD FLASH OR PROTRUSION SHALL NOT EXCEED 0.25 (0.010) PER SIDE.
5. DIMENSION K DOES NOT INCLUDE DAMBAR PROTRUSION. ALLOWABLE DAMBAR PROTRUSION SHALL BE 0.08 (0.003) TOTAL IN EXCESS OF THE K DIMENSION AT MAXIMUM MATERIAL CONDITION.
6. TERMINAL NUMBERS ARE SHOWN FOR REFERENCE ONLY.
7. DIMENSION A AND B ARE TO BE DETERMINED AT DATUM PLANE -W-.

DIM	MILLIMETERS		INCHES	
	MIN	MAX	MIN	MAX
A	4.90	5.10	0.193	0.200
B	4.30	4.50	0.169	0.177
C	---	1.20	---	0.047
D	0.05	0.15	0.002	0.006
F	0.50	0.75	0.020	0.030
G	0.65 BSC		0.026 BSC	
H	0.50	0.60	0.020	0.024
J	0.09	0.20	0.004	0.008
J1	0.09	0.16	0.004	0.006
K	0.19	0.30	0.007	0.012
K1	0.19	0.25	0.007	0.010
L	6.40 BSC		0.252 BSC	
M	0°	8°	0°	8°

GENERIC MARKING DIAGRAM*



- A = Assembly Location
- L = Wafer Lot
- Y = Year
- W = Work Week
- = Pb-Free Package

(Note: Microdot may be in either location)

*This information is generic. Please refer to device data sheet for actual part marking. Pb-Free indicator, "G" or microdot "▪", may or may not be present. Some products may not follow the Generic Marking.

SOLDERING FOOTPRINT



DOCUMENT NUMBER:	98ASH70246A	Electronic versions are uncontrolled except when accessed directly from the Document Repository. Printed versions are uncontrolled except when stamped "CONTROLLED COPY" in red.
DESCRIPTION:	TSSOP-14 WB	PAGE 1 OF 1

onsemi and onsemi are trademarks of Semiconductor Components Industries, LLC dba onsemi or its subsidiaries in the United States and/or other countries. onsemi reserves the right to make changes without further notice to any products herein. onsemi makes no warranty, representation or guarantee regarding the suitability of its products for any particular purpose, nor does onsemi assume any liability arising out of the application or use of any product or circuit, and specifically disclaims any and all liability, including without limitation special, consequential or incidental damages. onsemi does not convey any license under its patent rights nor the rights of others.

onsemi, **Onsemi**, and other names, marks, and brands are registered and/or common law trademarks of Semiconductor Components Industries, LLC dba "**onsemi**" or its affiliates and/or subsidiaries in the United States and/or other countries. **onsemi** owns the rights to a number of patents, trademarks, copyrights, trade secrets, and other intellectual property. A listing of **onsemi**'s product/patent coverage may be accessed at www.onsemi.com/site/pdf/Patent-Marking.pdf. **onsemi** reserves the right to make changes at any time to any products or information herein, without notice. The information herein is provided "as-is" and **onsemi** makes no warranty, representation or guarantee regarding the accuracy of the information, product features, availability, functionality, or suitability of its products for any particular purpose, nor does **onsemi** assume any liability arising out of the application or use of any product or circuit, and specifically disclaims any and all liability, including without limitation special, consequential or incidental damages. Buyer is responsible for its products and applications using **onsemi** products, including compliance with all laws, regulations and safety requirements or standards, regardless of any support or applications information provided by **onsemi**. "Typical" parameters which may be provided in **onsemi** data sheets and/or specifications can and do vary in different applications and actual performance may vary over time. All operating parameters, including "Typicals" must be validated for each customer application by customer's technical experts. **onsemi** does not convey any license under any of its intellectual property rights nor the rights of others. **onsemi** products are not designed, intended, or authorized for use as a critical component in life support systems or any FDA Class 3 medical devices or medical devices with a same or similar classification in a foreign jurisdiction or any devices intended for implantation in the human body. Should Buyer purchase or use **onsemi** products for any such unintended or unauthorized application, Buyer shall indemnify and hold **onsemi** and its officers, employees, subsidiaries, affiliates, and distributors harmless against all claims, costs, damages, and expenses, and reasonable attorney fees arising out of, directly or indirectly, any claim of personal injury or death associated with such unintended or unauthorized use, even if such claim alleges that **onsemi** was negligent regarding the design or manufacture of the part. **onsemi** is an Equal Opportunity/Affirmative Action Employer. This literature is subject to all applicable copyright laws and is not for resale in any manner.

ADDITIONAL INFORMATION

TECHNICAL PUBLICATIONS:

Technical Library: www.onsemi.com/design/resources/technical-documentation
onsemi Website: www.onsemi.com

ONLINE SUPPORT: www.onsemi.com/support

For additional information, please contact your local Sales Representative at www.onsemi.com/support/sales