

Reference Designs for the TSV (J-Series) SMA and SMTPA SiPM Evaluation Boards

AND9808/D

Overview

This document gives the electrical schematics for the J-Series (TSV-Packaged) SMA and SMTPA SiPM evaluation boards.

The electrical schematics are accurate representations of the circuitry of the onsemi products and can be used by the customer for their own readout solutions, at the customer's own risk. Complete Gerber and board specification files for each product are available by request from onsemi.

SMA Boards

Refer to the [J-Series datasheet](#) for a detailed drawing of the SMA board.

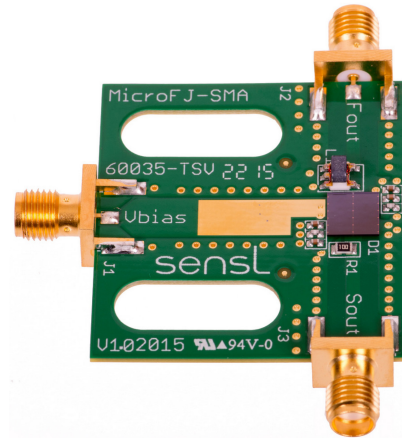


Figure 1. The onsemi 6 mm SMA board (MicroFJ-SMA-60035)

SMA Board Electrical Schematics

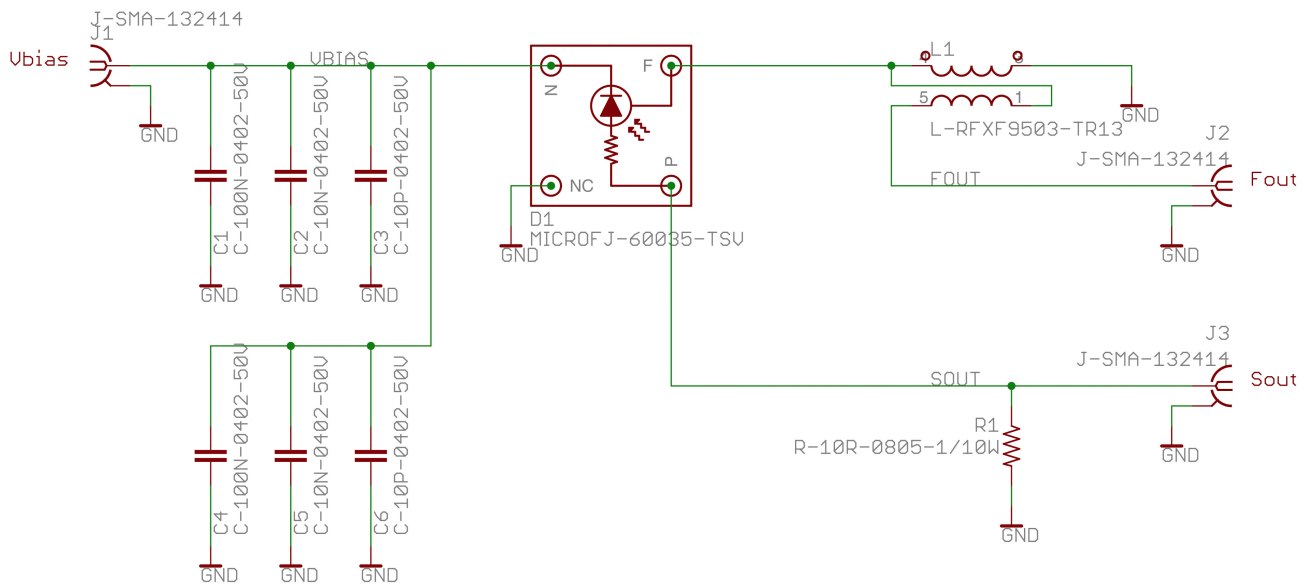


Figure 2. Board schematic for the MicroFJ-SMA-60035

AND9808/D

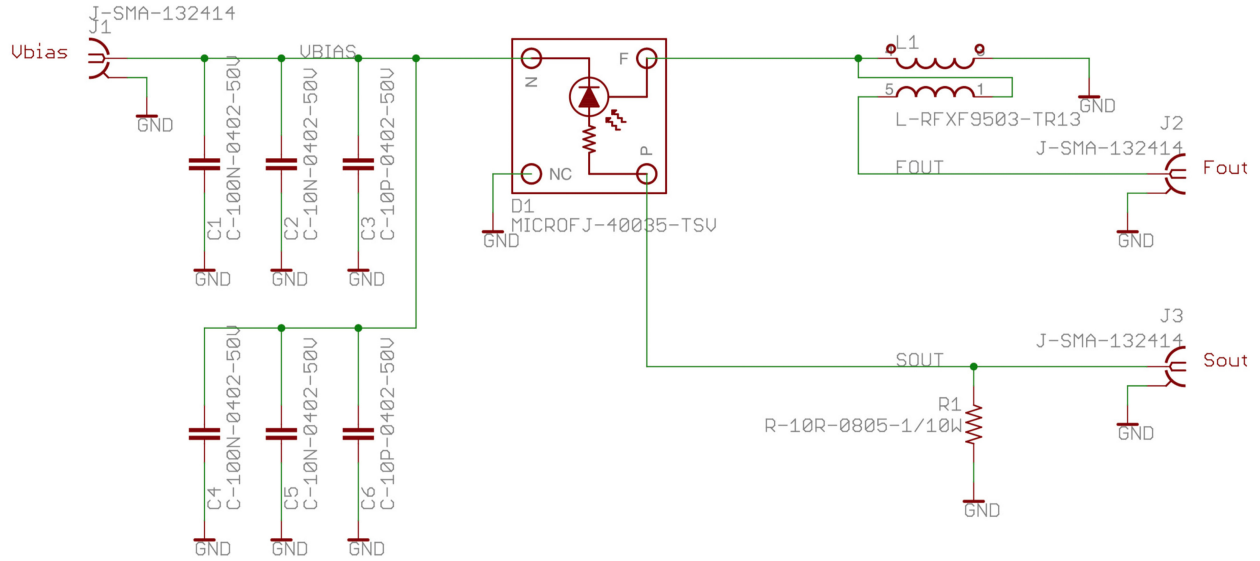


Figure 3. Board schematic for the MicroFJ-SMA-40035

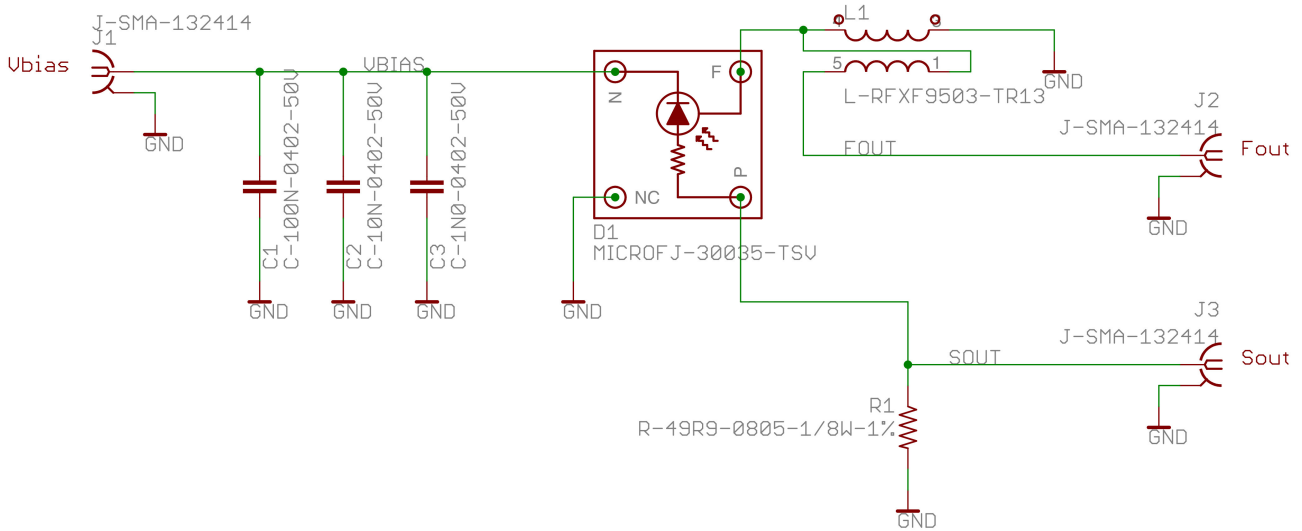


Figure 4. Board schematic for the MicroFJ-SMA-300XX

SMTPA Boards

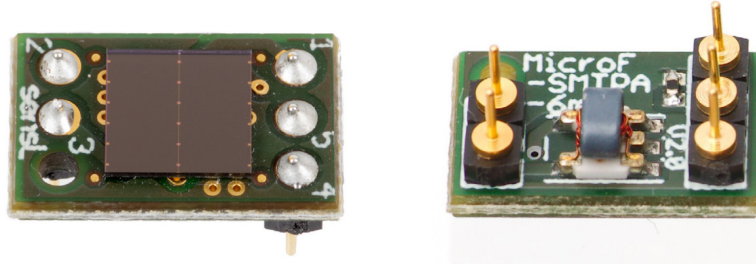


Figure 5. (Left) top view and (right) bottom view of the onsemi 6 mm SMTPA boards (MicroFJ-SMTPA-60035)

SMTPA Board CAD Files

Refer to the J-Series datasheet for a detailed drawing of the SMTPA evaluation board:

- [MICROJ-SERIES/D](#)
- There is no SMTPA board for the MicroFJ-40035-TSV

SMTPA Board Electrical Schematics

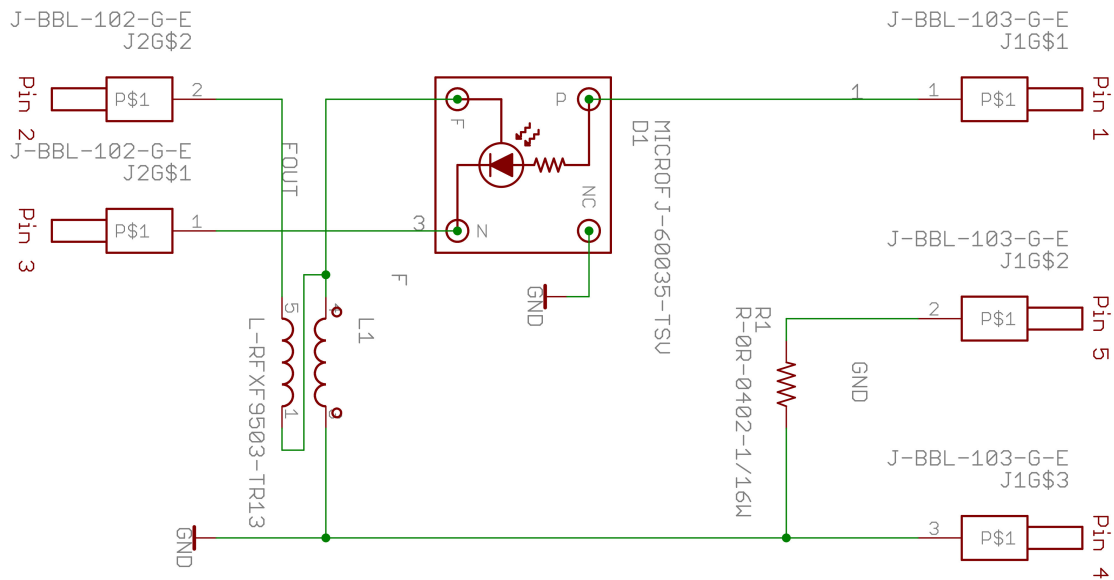


Figure 6. Board schematic for the MicroFJ-SMTPA-60035

AND9808/D

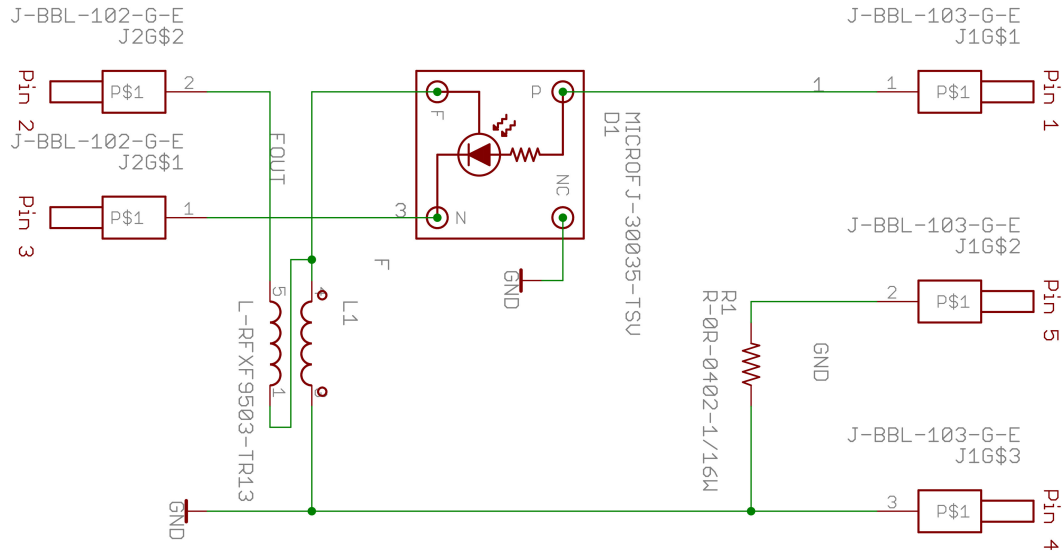


Figure 7. Board schematic for the MicroFJ-SMTPA-300XX

onsemi, Onsemi, and other names, marks, and brands are registered and/or common law trademarks of Semiconductor Components Industries, LLC dba "onsemi" or its affiliates and/or subsidiaries in the United States and/or other countries. onsemi owns the rights to a number of patents, trademarks, copyrights, trade secrets, and other intellectual property. A listing of onsemi's product/patent coverage may be accessed at www.onsemi.com/site/pdf/Patent-Marking.pdf. onsemi reserves the right to make changes at any time to any products or information herein, without notice. The information herein is provided "as-is" and onsemi makes no warranty, representation or guarantee regarding the accuracy of the information, product features, availability, functionality, or suitability of its products for any particular purpose, nor does onsemi assume any liability arising out of the application or use of any product or circuit, and specifically disclaims any and all liability, including without limitation special, consequential or incidental damages. Buyer is responsible for its products and applications using onsemi products, including compliance with all laws, regulations and safety requirements or standards, regardless of any support or applications information provided by onsemi. "Typical" parameters which may be provided in onsemi data sheets and/or specifications can and do vary in different applications and actual performance may vary over time. All operating parameters, including "Typicals" must be validated for each customer application by customer's technical experts. onsemi does not convey any license under any of its intellectual property rights nor the rights of others. onsemi products are not designed, intended, or authorized for use as a critical component in life support systems or any FDA Class 3 medical devices or medical devices with a same or similar classification in a foreign jurisdiction or any devices intended for implantation in the human body. Should Buyer purchase or use onsemi products for any such unintended or unauthorized application, Buyer shall indemnify and hold onsemi and its officers, employees, subsidiaries, affiliates, and distributors harmless against all claims, costs, damages, and expenses, and reasonable attorney fees arising out of, directly or indirectly, any claim of personal injury or death associated with such unintended or unauthorized use, even if such claim alleges that onsemi was negligent regarding the design or manufacture of the part. onsemi is an Equal Opportunity/Affirmative Action Employer. This literature is subject to all applicable copyright laws and is not for resale in any manner.

ADDITIONAL INFORMATION

TECHNICAL PUBLICATIONS:
 Technical Library: www.onsemi.com/design/resources/technical-documentation
 onsemi Website: www.onsemi.com

ONLINE SUPPORT: www.onsemi.com/support
 For additional information, please contact your local Sales Representative at www.onsemi.com/support/sales