

SiPM SMA Board Experiment Guide

AND9787/D

This document will assist the new user of Silicon Photomultipliers (SiPM) to make observations that will verify that the sensor is set-up and functioning correctly. The demonstrations below may be useful in the set up of the user’s own experiments and illustrate some of the important characteristics of the sensor. This document focuses on the practical issues of setting up and making simple observations of the sensor output. Further documents that cover a wide range of SiPM sensor-related topics are available from the **onsemi** website, some of which are listed at the end of this document.

This document specifically uses an SMA evaluation board with a 3 mm, 35 μm microcell P-on-N sensor, e.g. MicroFC-SMA-30035.

It is important that the user first consult the datasheet and user manual for the product. Links can be found at the end of this document.

Scope of the Document

This document relates specifically to an SMA board with a 3 mm, 35 μm microcell, P-on-N sensor (such as the MicroFC-SMA-30035), but to a large extent can also be used for other MicroFX-SMA variants.

Other MicroFC-SMA-XXXXX or MicroFJ-SMA-XXXXX (different sensor and microcell sizes) are set up in the same manner as described here but will yield different pulse heights and pulse shapes than those shown here in the Figures.

MicroRX-SMA-100XX boards (R-Series sensors) use the opposite polarity bias to the C-Series, and as such the pulses will be negative-going.

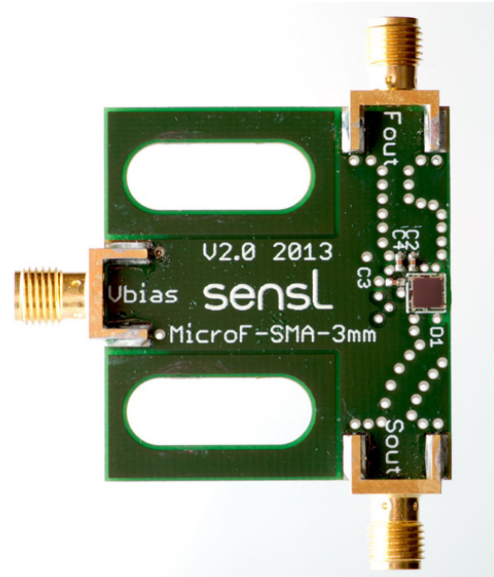


Figure 1. MicroFC-SMA-30035

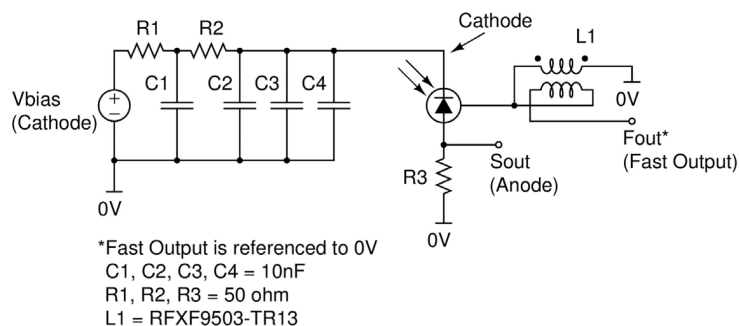


Figure 2. The schematic for the MicroFC-SMA-30035 board.
 The various I/Os are labelled: Vbias (Cathode connection), Sout (Anode connection) and Fout (Fast Output from the balun, which is in turn connected to the fast terminal of a onsemi SiPM).

Scope of the Document

- The MicroFC–SMA is a small test board that houses a sensor and biasing circuitry. The three (female) SMA connectors are for bias (V_{bias} , connected to Cathode), fast output (Fout) and standard output (Sout, connected to Anode).
- The schematic of the board is shown in Figure 2, with the two outputs, Sout and Fout, labelled.
- The sensor is C–Series (MicroFC–SMA–30035) so the applied bias should be +27 V.
- If an R–Series sensor is used instead (MicroRX–SMA–100XX) then the applied bias will be negative. Refer to the datasheet for the specific values.
- To make the MicroFC–SMA ready for this demonstration, mount the board securely to a surface using the mounting holes.
- It should be noted that the MicroFC–SMA boards do not contain any on–board amplification and so single photon signals would only be a fraction of a mV in amplitude. Therefore, additional amplifiers are needed to view the single photon or dark count signals, as described in the second section of this guide.

Observation of Mains Frequency in Fluorescent Lighting

Here the SiPM will be set up to make a very simple observation – that of the inherent modulation in the photon flux from fluorescent lighting due to the mains frequency. Since most laboratories have fluorescent lighting as standard, the equipment list is very short and simple and should be within the reach of anyone in possession of an SiPM sensor.

Equipment List

- MicroFC–SMA–30035
- Bias supply, capable of supplying 30 V and 15 mA.
- Two 50 Ω coax cable, with a male SMA–to–BNC, such as [this one](#) (one for signal, one for bias).
- A coax–to–double–banana–plug adapter such as [this one](#), for connecting BNC to a bench bias supply.
- Oscilloscope (1 GHz)
- Semi–translucent material (such as a sheet of thin paper)
- Some completely opaque material or container to shield the SiPM from ambient light
- A source of overhead fluorescent lighting

Set–up

- Using Figure 3 as a reference, connect one of the SMA–to–BNC cables to the V_{bias} SMA on the MicroFC–SMA–30035 board, and the other end to the bias supply, using the banana plug adapter if needed.
- Connect the other SMA–to–BNC cable to the output SMA Sout on the MicroFC–SMA–30035 board, and the other end to the oscilloscope (set to 50 Ω input).

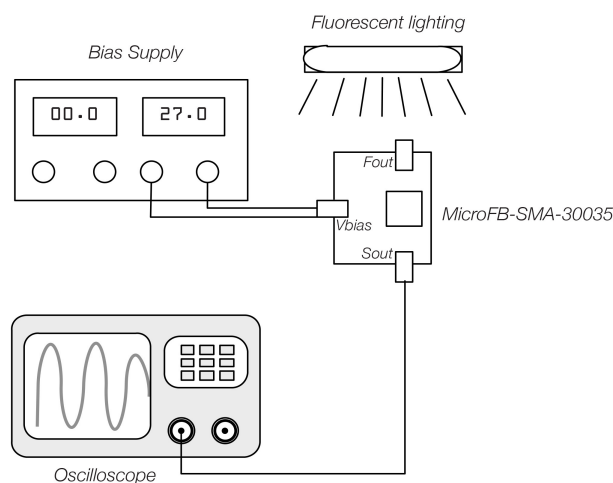


Figure 3. Experimental arrangement for observation of the mains frequency in fluorescent lighting.

- Cover the sensor with the opaque material, so that it is shielded from ambient light
- Set the sensor bias supply current limit to 15 mA and then turn it on.

Observations

Switch on the oscilloscope, and set the scales to 5 mV/division and 5 ms/division.

While the SiPM is powered but not exposed to light, the signal should be at or close to 0 V. In our example in Figure 4, there is a small offset of –1 mV.

The opaque material/cover can now be removed and the signal on the oscilloscope will saturate. The sensor is not damaged by laboratory light levels and, in addition, the current limit on the bias supply will prevent damage to the sensor. In our example in Figure 5, this occurs at ~250 mV. This shows that the sensor is light sensitive and connected properly.

When the sensor is illuminated by fluorescent lighting, the mains frequency should be visible within the detected signal. Turn off any non–fluorescent light sources if possible. The overall light level arriving at the sensor will need to be reduced in order to avoid saturation. To do this, cover the sensor with a sheet of paper or other thin, semi–translucent material, one layer at a time until the characteristic frequency is revealed in the signal, as shown in Figure 6. With each layer added, the voltage scale on the oscilloscope may need adjusting.

The observed frequency will be 120 Hz in the US and Canada (where the mains frequency is 60 Hz) and 100 Hz in most of the rest of the world (where the frequency is 50 Hz). This is because there is a light emission peak from the fluorescent lighting for each peak and trough of the AC mains cycle.

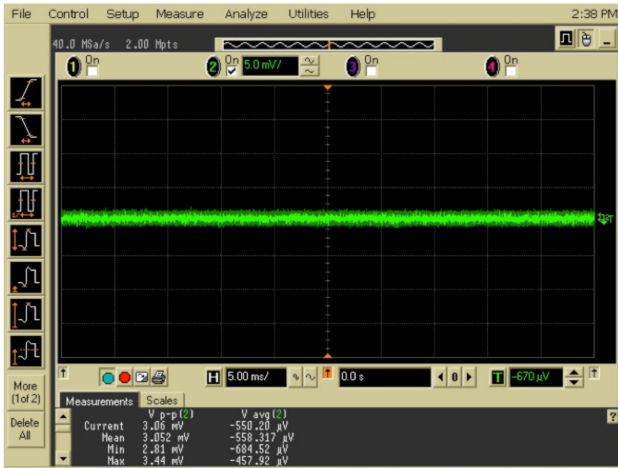


Figure 4. SiPM signal with no ambient light (5 mV, 5 ms)

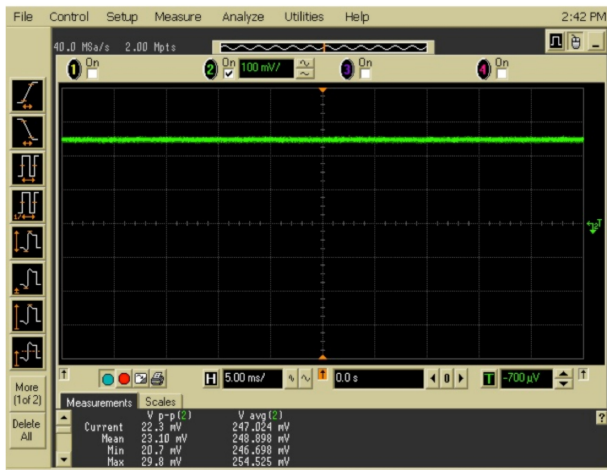


Figure 5. SiPM signal when exposed to full ambient light (100 mV, 5 ms)

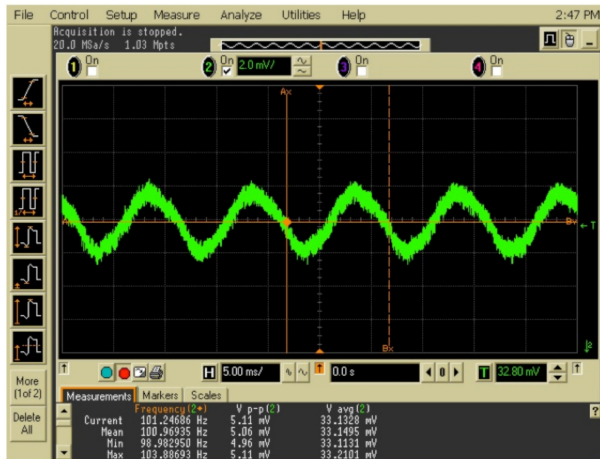


Figure 6. Photon modulation from fluorescent lights at 100 Hz (2 mV, 5 ms)

SiPM Dark Counts

This section will guide the user through the steps to observe the SiPM’s dark counts, which requires some additional amplification. A completely dark room or dark box is required, or photons will be detected and obscure the observation of the dark counts. The screenshots at the end of this section show the standard anode output (Sout) and the Fast Output (Fout) simultaneously. These two outputs could be viewed one at a time, but if you would like to view them simultaneously, then extra equipment will be need, as given in parentheses in the Equipment List below.

Equipment List

- MicroFC–SMA–30035
- Bias supply, capable of supplying 30 V and 15m A.
- Two 50 Ω coax cable, with a male SMA–to–BNC, such as [this one](#) – one for signal, one for bias (x 4 for simultaneous Fout and Sout viewing)
- A coax–to–double–banana–plug adapter such as [this one](#), for connecting BNC to a bench bias supply.
- Oscilloscope (1 GHz)
- Some completely opaque material, container or dark box to shield the sensor from ambient light.
- Two amplifiers (both [Minicircuits ZFL-1000LN+](#)) to provide voltage gain of 200x, with 15 V supply. (x 4 for simultaneous Fout and Sout viewing).
- 2 x SMA–to–SMA cables (x 4 for simultaneous Fout and Sout viewing).

Set-up

- Using Figure 7 as a reference, connect one of the SMA–to–BNC cables to the Vbias SMA on the MicroFC–SMA–30035 board, and the other end to the bias supply, using the banana plug adapter if needed.

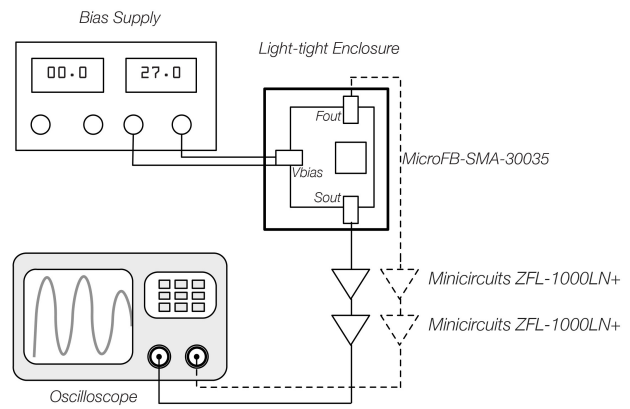


Figure 7. Set up for observing dark counts

- Connect the other SMA-to-BNC cable to the output SMA Sout on the MicroFC-SMA-30035 board, and the other end of the cable to the first amplifier using an SMA-to-SMA cable, and then to the next amplifier using the second cable.
- Connect the output of the second amplifier to the oscilloscope (set to 50 Ω input).
- Repeat the last two steps for Fout, if using.
- The ZFL-1000LN+ amplifiers should be connected to the 15 V supply.
- Turn off all ambient lighting and turn off or cover any lights coming from instrumentation, such as indicator lights or infrared position sensors.
- Set the sensor bias supply current limit to 15 mA and then turn it on.

Observations

Switch on the oscilloscope and set the scales to 50 mV/division and 100 ns/division. Set the scope to trigger on the rising edge of the signal at a trigger level of around 30 to 40 mV. You should now see that the signal consists of many pulses occurring randomly in time. These are the dark count pulses from the SiPM and constitute the sensor’s noise. Figure 8 shows typical dark pulses for the MicroFC-SMA-30035: the green trace is the Sout (standard output) that is the Anode-Cathode signal, while the pink trace is the Fout (Fast output) signal. Both can be viewed simultaneously, but the

Fout also requires the same amplification as the Sout line to observe the signals shown (in this case, two of the ZFL-1000LN+ amplifiers).

It can be seen that the majority of the pulses are at a fairly uniform level (~50 mV in Figure 8). The pulses at this ~50 mV level are referred to as the ‘singles’ and are due to thermally generated electrons causing an avalanche in a single microcell. The difference in signal shape between the Sout and Fout can be clearly seen. The Sout pulse fall time is dominated by the microcell recovery time (here ~180 ns), whereas the Fout signals are incredibly brief (width of <2 ns here).

In addition to these ‘singles’, pulses of greater amplitude can be seen, as shown in Figure 9. By gradually raising the triggering threshold control, the oscilloscope will start to trigger on these larger pulses. These larger pulses are multiples of the amplitude of the ‘singles’, and is much easier to see from the Fout trace, where one pulse is clearly double the height of the others. These higher signals are referred to doubles, triples and so on and are due to cross-talk between microcells. The green trace in Figure 9 shows the pulses from Sout ‘piling up’. This happens when a second dark pulse occurs while the previous pulse is still in recovery mode and leads to pulses being superimposed on each other. The origin of the dark counts and the cross-talk is explained in the [onsemi Introduction to the Silicon Photomultiplier \(SiPM\) application note](#).

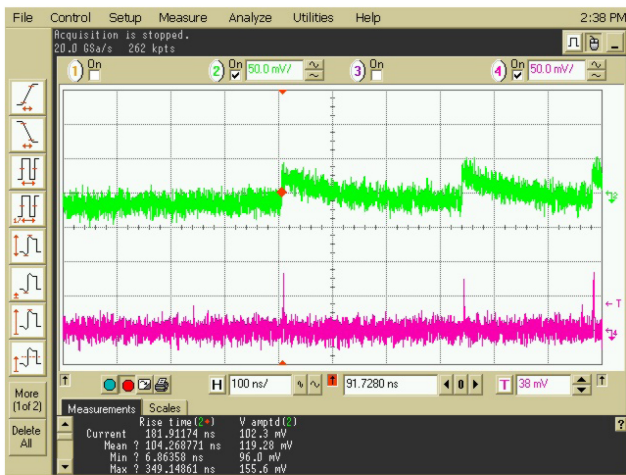


Figure 8. Dark pulses (50 mV, 100 ns), Sout (in green) and Fout (in pink)

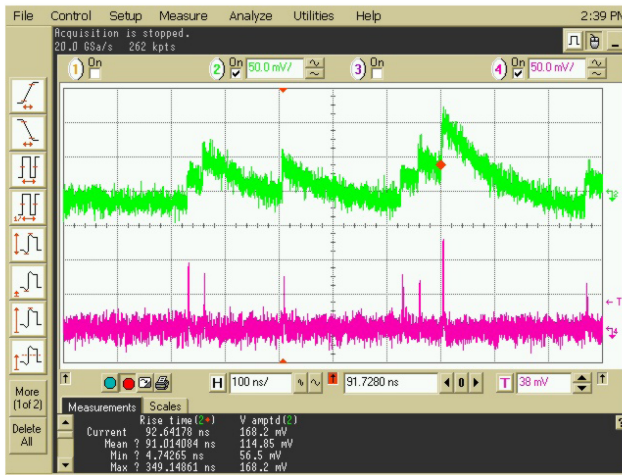


Figure 9. Dark pulses with some crosstalk events (50 mV, 100 ns), Sout (in green) and Fout (in pink)

AND9787/D

Further Help

If more help is required in the set-up and operation of SiPM sensors, there are several **onsemi** resources that can help.

The [Introduction to the Silicon Photomultiplier \(SiPM\)](#) application note provides an overview of the SiPM, how it works and how different parameters are affected by different settings.

The Datasheet for the [C-Series](#) range of SiPM sensors.

The **onsemi** website www.onsemi.com has a large number of additional documentation on the subject of SiPM use and applications.

If further help is needed, please contact **onsemi** [sales](#).

onsemi, **Onsemi**, and other names, marks, and brands are registered and/or common law trademarks of Semiconductor Components Industries, LLC dba "**onsemi**" or its affiliates and/or subsidiaries in the United States and/or other countries. **onsemi** owns the rights to a number of patents, trademarks, copyrights, trade secrets, and other intellectual property. A listing of **onsemi**'s product/patent coverage may be accessed at www.onsemi.com/site/pdf/Patent-Marking.pdf. **onsemi** reserves the right to make changes at any time to any products or information herein, without notice. The information herein is provided "as-is" and **onsemi** makes no warranty, representation or guarantee regarding the accuracy of the information, product features, availability, functionality, or suitability of its products for any particular purpose, nor does **onsemi** assume any liability arising out of the application or use of any product or circuit, and specifically disclaims any and all liability, including without limitation special, consequential or incidental damages. Buyer is responsible for its products and applications using **onsemi** products, including compliance with all laws, regulations and safety requirements or standards, regardless of any support or applications information provided by **onsemi**. "Typical" parameters which may be provided in **onsemi** data sheets and/or specifications can and do vary in different applications and actual performance may vary over time. All operating parameters, including "Typicals" must be validated for each customer application by customer's technical experts. **onsemi** does not convey any license under any of its intellectual property rights nor the rights of others. **onsemi** products are not designed, intended, or authorized for use as a critical component in life support systems or any FDA Class 3 medical devices or medical devices with a same or similar classification in a foreign jurisdiction or any devices intended for implantation in the human body. Should Buyer purchase or use **onsemi** products for any such unintended or unauthorized application, Buyer shall indemnify and hold **onsemi** and its officers, employees, subsidiaries, affiliates, and distributors harmless against all claims, costs, damages, and expenses, and reasonable attorney fees arising out of, directly or indirectly, any claim of personal injury or death associated with such unintended or unauthorized use, even if such claim alleges that **onsemi** was negligent regarding the design or manufacture of the part. **onsemi** is an Equal Opportunity/Affirmative Action Employer. This literature is subject to all applicable copyright laws and is not for resale in any manner.

ADDITIONAL INFORMATION

TECHNICAL PUBLICATIONS:

Technical Library: www.onsemi.com/design/resources/technical-documentation
onsemi Website: www.onsemi.com

ONLINE SUPPORT: www.onsemi.com/support

For additional information, please contact your local Sales Representative at www.onsemi.com/support/sales