

# NCS2554

## Four-Channel Video Driver with SD Reconstruction Filters

The NCS2554 is a 4-channel high speed video driver with 6th order Butterworth Reconstruction filters on each channel. A first set of 3-channel has Standard Definition (SD) filters, one per channel. A fourth channel offers an extra filter driver for driving Cvbs-type video signal. The NCS2554 is in fact a combination of a triple SD video driver for YPbPr plus a single Cvbs video driver.

It is designed to be compatible with Digital-to-Analog Converters (DAC) embedded in most video processors.

To further reduce power consumption, 2 enable pins are provided one for the triple driver and another one for the single driver. All channels can accept DC- or AC-coupled signals. In case of AC-coupled inputs, the internal clamps are enabled. The outputs can drive both AC and DC coupled 150  $\Omega$  loads.

### Features

- 4-Channel with per Channel a Selectable Sixth-Order Butterworth 8 MHz Filter
- Transparent Clamp
- Internal Fixed Gain: 6 dB  $\pm$  0.2
- Integrated Level Shifter
- AC- or DC-Coupled Inputs and Outputs
- Low Quiescent Current
- Shutdown Current 42  $\mu$ A Typical (Disabled)
- Each channel Capable to Drive 2 by 150  $\Omega$  Loads
- Wide Operating Supply Voltage Range: +4.7 V to +5.3 V
- Robust ESD protection 8 kV
- TSSOP-14 Package
- This is a Pb-Free Device

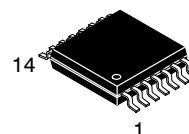
### Typical Application

- Set Top Box Decoder
- DVD Player / Recorder
- SDTV



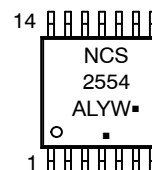
ON Semiconductor®

<http://onsemi.com>



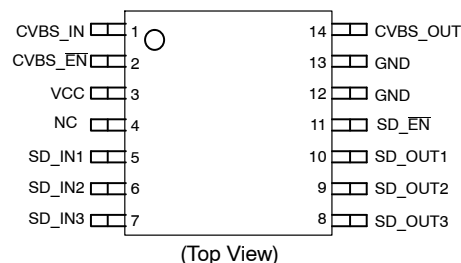
TSSOP-14  
TBD SUFFIX  
CASE 948G

### MARKING DIAGRAM



- NCS2554 = Specific Device Code
- A = Assembly Location
- L = Wafer Lot
- Y = Year
- W = Work Week
- = Pb-Free Package

### PINOUT



(Top View)

### ORDERING INFORMATION

| Device        | Package               | Shipping†             |
|---------------|-----------------------|-----------------------|
| NCS2554DTBR2G | TSSOP-14<br>(Pb-Free) | 2500 /<br>Tape & Reel |

†For information on tape and reel specifications, including part orientation and tape sizes, please refer to our Tape and Reel Packaging Specifications Brochure, BRD8011/D.

# NCS2554

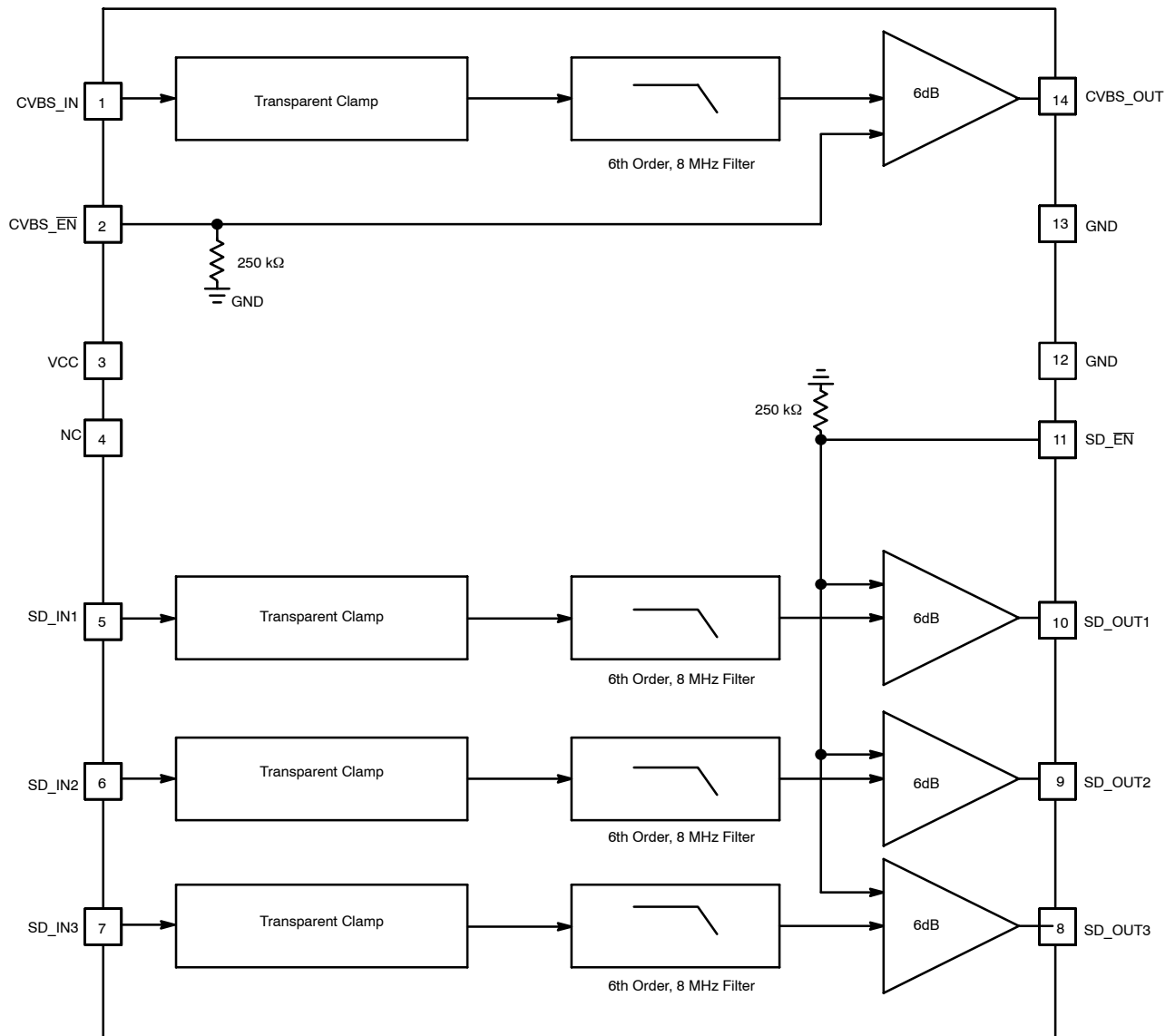


Figure 1. NCS2554 Block Diagram

# NCS2554

## PIN DESCRIPTION

| Pin No. | Name     | Type   | Description  |
|---------|----------|--------|--|
| 1       | CVBS_IN  | Input  | Video Input for Video Signal featuring a frequency bandwidth compatible with NTSC / PAL / SECAM Video (8 MHz) – Cvbs Channel |
| 2       | CVBS_EN  | Input  | Cvbs Channel Enable /Disable Function: Low = Enable, High = Disable. When left open the default state is Enable.             |
| 3       | VCC      | Power  | Power Supply / 4.7 V to 5.3 V  |
| 4       | NC       | Input  | Not Connected  |
| 5       | SD_IN1   | Input  | Selectable SD Video Input 1 – SD Channel 1   |
| 6       | SD_IN2   | Input  | Selectable SD Video Input 2 – SD Channel 2   |
| 7       | SD_IN3   | Input  | Selectable SD Video Input 3 – SD Channel 3   |
| 8       | SD_OUT3  | Output | SD Video Output 3 – SD Channel 3   |
| 9       | SD_OUT2  | Output | SD Video Output 2 – SD Channel 2   |
| 10      | SD_OUT1  | Output | SD Video Output 1 – SD Channel 1   |
| 11      | SD_EN    | Input  | SD Channel Enable/Disable Function: Low = Enable, High = Disable. When left open the default state is Enable.                |
| 12      | GND      | Ground | Ground   |
| 13      | GND      | Ground | Ground   |
| 14      | CVBS_OUT | Output | Cvbs Video Output – Cvbs Channel   |

## ATTRIBUTES

| Characteristic                | Value   |
|-------------------------------|---|
| Moisture Sensitivity (Note 1) | Level 1   |
| Flammability Rating           | Oxygen Index: 28 to 34<br>UL 94 V-0 @ 0.125 in. |

1. For additional information, see Application Note AND8003/D

**MAXIMUM RATINGS**

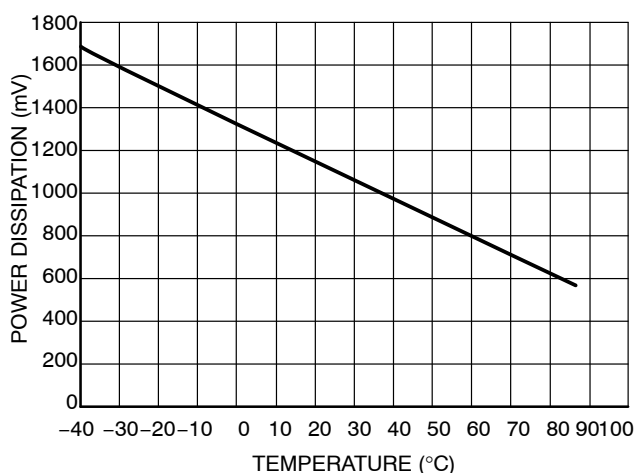
| Rating                                    | Symbol          | Value                       | Unit |
|---|-----------------|-----------------------------|------|
| Power Supply Voltages                     | $V_{CC}$        | $-0.3 \leq V_{CC} \leq 5.5$ | Vdc  |
| Input Voltage Range                       | $V_I$           | $-0.3 \leq V_I \leq V_{CC}$ | Vdc  |
| Input Differential Voltage Range          | $V_{ID}$        | $-0.3 \leq V_I \leq V_{CC}$ | Vdc  |
| Output Current (Indefinitely) per Channel | $I_O$           | 40                          | mA   |
| Maximum Junction Temperature (Note 2)     | $T_J$           | 150                         | °C   |
| Operating Ambient Temperature             | $T_A$           | -40 to +85                  | °C   |
| Storage Temperature Range                 | $T_{stg}$       | -60 to +150                 | °C   |
| Thermal Resistance, Junction-to-Air       | $R_{\theta JA}$ | 125                         | °C/W |

Stresses exceeding Maximum Ratings may damage the device. Maximum Ratings are stress ratings only. Functional operation above the Recommended Operating Conditions is not implied. Extended exposure to stresses above the Recommended Operating Conditions may affect device reliability.

2. Power dissipation must be considered to ensure maximum junction temperature ( $T_J$ ) is not exceeded.

**Maximum Power Dissipation**

The maximum power that can be safely dissipated is limited by the associated rise in junction temperature. For the plastic packages, the maximum safe junction temperature is 150°C. If the maximum is exceeded momentarily, proper circuit operation will be restored as soon as the die temperature is reduced. Leaving the device in the “overheated” condition for an extended period can result in device burnout. To ensure proper operation, it is important to observe the derating curves.



**Figure 2. Power Dissipation vs Temperature**

# NCS2554

**DC ELECTRICAL CHARACTERISTICS** ( $V_{CC} = +5.0\text{ V}$ ,  $R_{source} = 37.5\ \Omega$ ,  $T_A = 25^\circ\text{C}$ , inputs AC-coupled with  $0.1\ \mu\text{F}$ , all outputs AC-coupled with  $220\ \mu\text{F}$  into  $150\ \Omega$  referenced to  $400\ \text{kHz}$ ; unless otherwise specified)

| Symbol              | Characteristics                                  | Conditions                       | Min | Typ | Max | Unit          |
|---------------------|--|----------------------------------|-----|-----|-----|---------------|
| <b>POWER SUPPLY</b> |  |                                  |     |     |     |               |
| $V_{CC}$            | Supply Voltage Range                             |                                  | 4.7 | 5.0 | 5.3 | V             |
| $I_{CC}$            | Supply Current                                   | SD Channels Selected + $C_{VBS}$ |     | 40  | 55  | mA            |
| $I_{SD}$            | Shutdown Current ( $CVBS\_EN$ and $SD\_EN$ High) |                                  |     | 42  | 60  | $\mu\text{A}$ |

## DC PERFORMANCE

|          |  |  |     |     |          |            |
|----------|--|--|-----|-----|----------|------------|
| $V_i$    | Input Common Mode Voltage Range                    |  | GND |     | 1.4      | $V_{PP}$   |
| $V_{IL}$ | Input Low Level for the Control Pins (2, 11)       |  | 0   |     | 0.8      | V          |
| $V_{IH}$ | Input High Level for the Control Pins (2, 11)      |  | 2.4 |     | $V_{CC}$ | V          |
| $R_{pd}$ | Pulldown Resistors on Pins $CVBS\_EN$ and $SD\_EN$ |  |     | 250 |          | k $\Omega$ |

## OUTPUT CHARACTERISTICS

|          |                           |  |  |     |  |    |
|----------|---------------------------|--|--|-----|--|----|
| $V_{OH}$ | Output Voltage High Level |  |  | 2.8 |  | V  |
| $V_{OL}$ | Output Voltage Low Level  |  |  | 200 |  | mV |
| $I_O$    | Output Current            |  |  | 40  |  | mA |

**AC ELECTRICAL CHARACTERISTICS FOR STANDARD DEFINITION CHANNELS** (pin numbers (1, 14) (5, 10), (6, 9), (7, 8)) ( $V_{CC} = +5.0\text{ V}$ ,  $V_{in} = 1\text{ V}_{PP}$ ,  $R_{source} = 37.5\ \Omega$ ,  $T_A = 25^\circ\text{C}$ , inputs AC-coupled with  $0.1\ \mu\text{F}$ , all outputs AC-coupled with  $220\ \mu\text{F}$  into  $150\ \Omega$  referenced to  $400\ \text{kHz}$ ; unless otherwise specified)

| Symbol           | Characteristics                       | Conditions                                     | Min        | Typ        | Max | Unit     |
|------------------|---------------------------------------|--|------------|------------|-----|----------|
| $A_{VSD}$        | Voltage Gain                          | $V_{in} = 1\text{ V}$ – All SD Channels        | 5.8        | 6.0        | 6.2 | dB       |
| $BW_{SD}$        | Low Pass Filter Bandwidth (Note 4)    | -1 dB<br>-3 dB                                 | 5.5<br>6.5 | 7.2<br>8.0 |     | MHz      |
| $A_{RSD}$        | Stop-band Attenuation (Notes 4 and 5) | @ 27 MHz                                       | 43         | 50         |     | dB       |
| $dG_{SD}$        | Differential Gain Error               |  |            | 0.7        |     | %        |
| $d\Phi_{SD}$     | Differential Phase Error              |  |            | 0.7        |     | $^\circ$ |
| THD              | Total Harmonic Distortion             | $V_{out} = 1.4\text{ V}_{PP}$ @ 3.58 MHz       |            | 0.35       |     | %        |
| $X_{SD}$         | Channel-to-Channel Crosstalk          | @ 1 MHz and $V_{in} = 1.4\text{ V}_{PP}$       |            | -57        |     | dB       |
| $SNR_{SD}$       | Signal-to-Noise Ratio                 | NTC-7 Test Signal, 100 kHz to 4.2 MHz (Note 3) |            | 72         |     | dB       |
| $\Delta t_{SD}$  | Propagation Delay                     | @ 4.5 MHz                                      |            | 70         |     | ns       |
| $\Delta GD_{SD}$ | Group Delay Variation                 | 100 kHz to 8 MHz                               |            | 20         |     | ns       |

3.  $SNR = 20 \times \log(714\text{ mV} / \text{RMS noise})$
4. 100% of Tested ICs fit the bandwidth and attenuation tolerance at  $25^\circ\text{C}$ .
5. Guaranteed by characterization.

TYPICAL CHARACTERISTICS

$V_{CC} = +5.0\text{ V}$ ,  $V_{in} = 1\text{ V}_{PP}$ ,  $R_{source} = 37.5\ \Omega$ ,  $T_A = 25^\circ\text{C}$ , Inputs AC-coupled with  $0.1\ \mu\text{F}$ , All Outputs AC-coupled with  $220\ \mu\text{F}$  into  $150\ \Omega$   
 Referenced to 400 kHz; unless otherwise specified

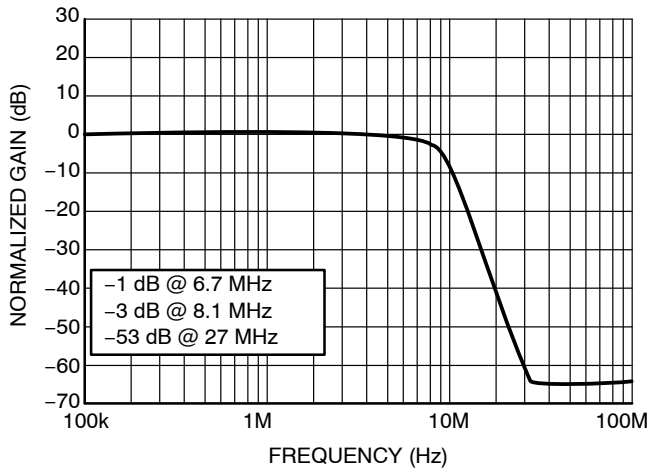


Figure 3. SD Normalized Frequency Response

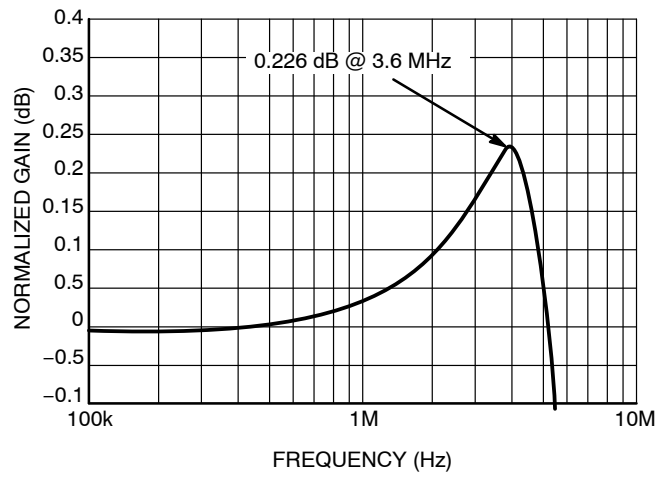


Figure 4. SD Passband Flatness

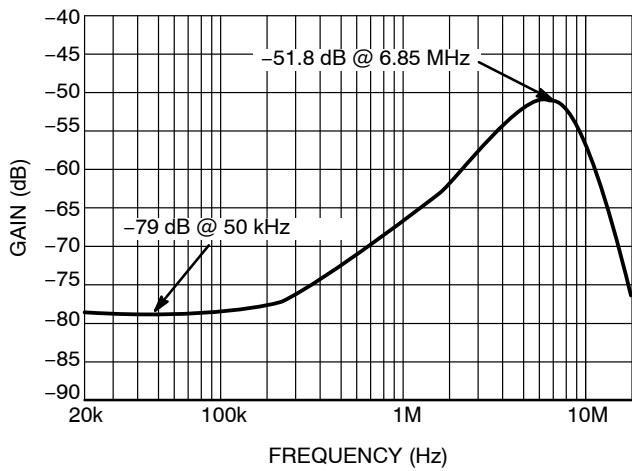


Figure 5. SD Channel-to-Channel Crosstalk

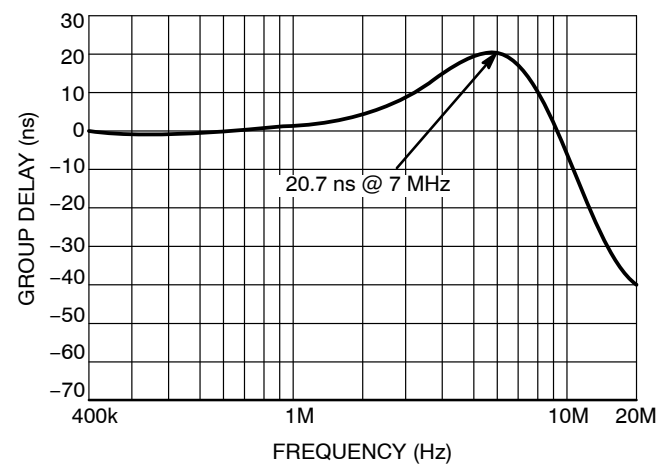


Figure 6. SD Normalized Group Delay

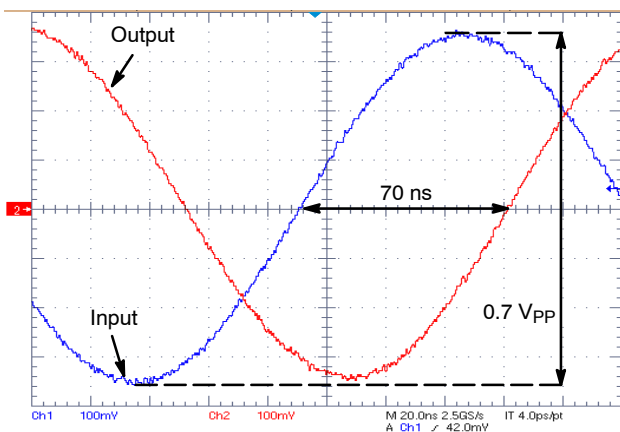


Figure 7. SD Propagation Delay

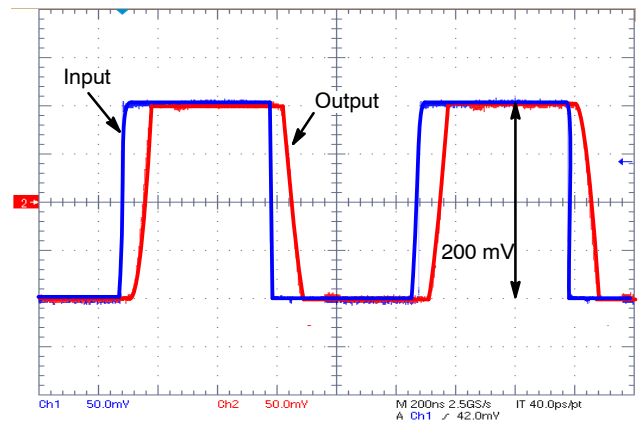


Figure 8. SD Small Signal Response

TYPICAL CHARACTERISTICS

$V_{CC} = +5.0\text{ V}$ ,  $V_{in} = 1\text{ V}_{PP}$ ,  $R_{source} = 37.5\ \Omega$ ,  $T_A = 25^\circ\text{C}$ , Inputs AC-coupled with  $0.1\ \mu\text{F}$ , All Outputs AC-coupled with  $220\ \mu\text{F}$  into  $150\ \Omega$   
 Referred to 400 kHz; unless otherwise specified

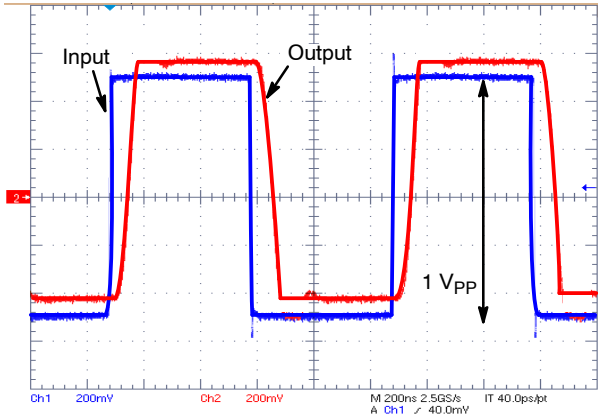


Figure 9. SD Large Signal Response

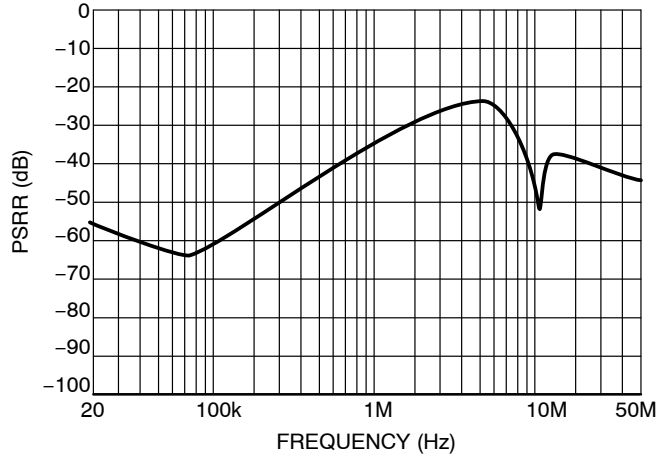


Figure 10. SD  $V_{CC}$  PSRR vs. Frequency

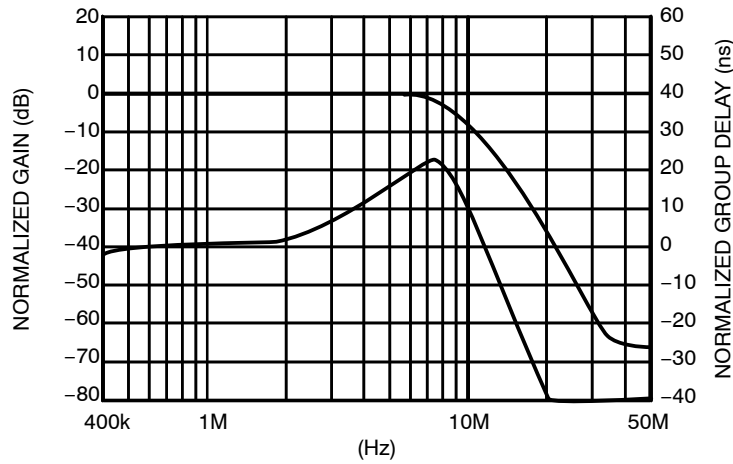


Figure 11. SD Frequency Response and Group Delay

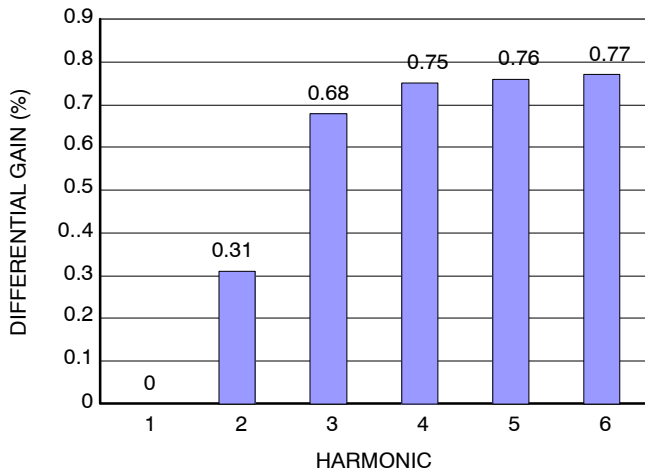


Figure 12. SD Differential Gain

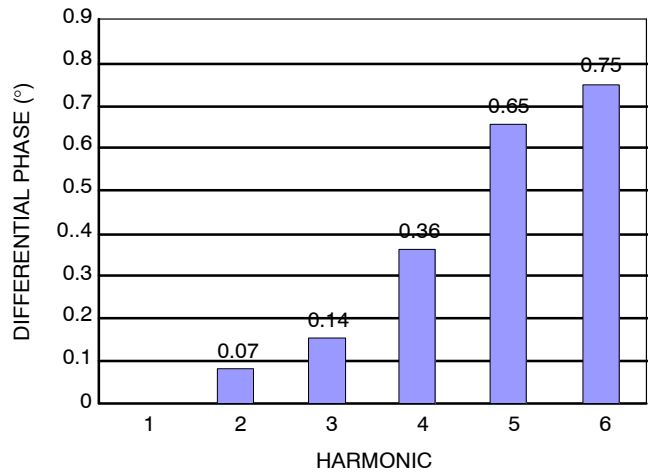


Figure 13. SD Differential Phase

APPLICATIONS INFORMATION

The NCS2554 quad video driver has been optimized for Standard video applications covering the requirements of the standards Composite video (Cvbs), S-Video, Component Video (480i/525i, 576i/625i) and related (RGB). The three SD channels have 8 MHz filters for covering standard definition-like video applications.

In the regular mode of operation each channel provides an internal voltage-to-voltage gain of 2 from input to output. This effectively reduces the number of external components required as compared to discrete approached implemented with stand alone op amps. An internal level shifter is

employed shifting up the output voltage by adding an offset of 200 mV. This prevents sync pulse clipping and allows DC-coupled output to the 150 Ω video load. In addition, the NCS2554 integrates a 6<sup>th</sup> order Butterworth filter for each. This allows rejection of the aliases or unwanted over-sampling effects produced by the video DAC. Similarly for the case of DVD recorders which use an ADC, this anti-aliasing filter (reconstruction filter) will avoid picture quality issue and will aide filtration of parasitic signals caused by EMI interference.

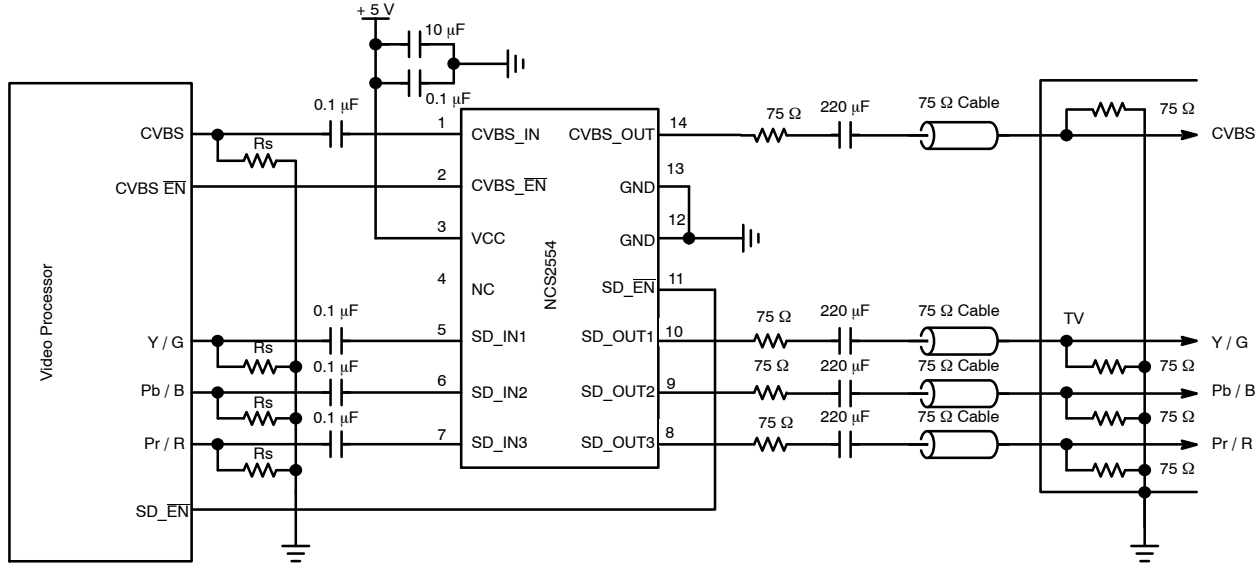


Figure 14. AC-Coupled Configuration at the Input and Output

A built-in diode-like clamp is used into the chip for each channel to support the AC-coupled mode of operation. The clamp is active when the input signal goes below 0 V.

The built-in clamp and level shifter allow the device to operate in different configuration modes depending on the DAC output signal level and the input common mode voltage of the video driver. When the configuration is DC-Coupled at the Inputs and Outputs the 0.1 μF and 220 μF coupling capacitors are no longer used, and the clamps are in that case inactive; this configuration provides a low cost solution which can be implemented with few external components (Figure 15).

The input is AC-coupled when either the input-signal amplitude goes over the range 0 V to 1.4 V or the video source requires such a coupling. In some circumstances it may be necessary to auto-bias signals with the addition of a pullup and pulldown resistors or only pullup resistor (Typical 7.5 MΩ combined with the internal 800 kΩ pulldown) making the clamp inactive.

The output AC-coupling configuration is advantageous for eliminating DC ground loop with the drawback of making the device more sensitive to video line or field tilt issues in the case of a too low output coupling capacitor. In

some cases it may be necessary to increase the nominal 220 μF capacitor value.

**Shutdown Mode**

If the enable pins are left open by default the circuit will be enabled. The Enable pin offers a shutdown function, so the NCS2554 can consequently be disabled when not used. The NCS2554's quiescent current reduces to 42 μA typical during shutdown mode.

**DC-Coupled Output**

The outputs of the NCS2554 can be DC-coupled to a 150 Ω load (Figure 15). This has the advantage of eliminating the AC-coupling capacitors at the output by reducing the number of external components and saving space on the board. This can be a key advantage for some applications with limited space.

The problems of field tilt effects on the video signal are also eliminated providing the best video quality with optimal dynamic or peak-to-peak amplitude of the video signal allowing operating thanks to the built-in level shifter without risk of signal clipping. In this coupling configuration the average output voltage is higher than 0 V and the power consumption can be a little higher than with an AC-coupled configuration.



# NCS2554

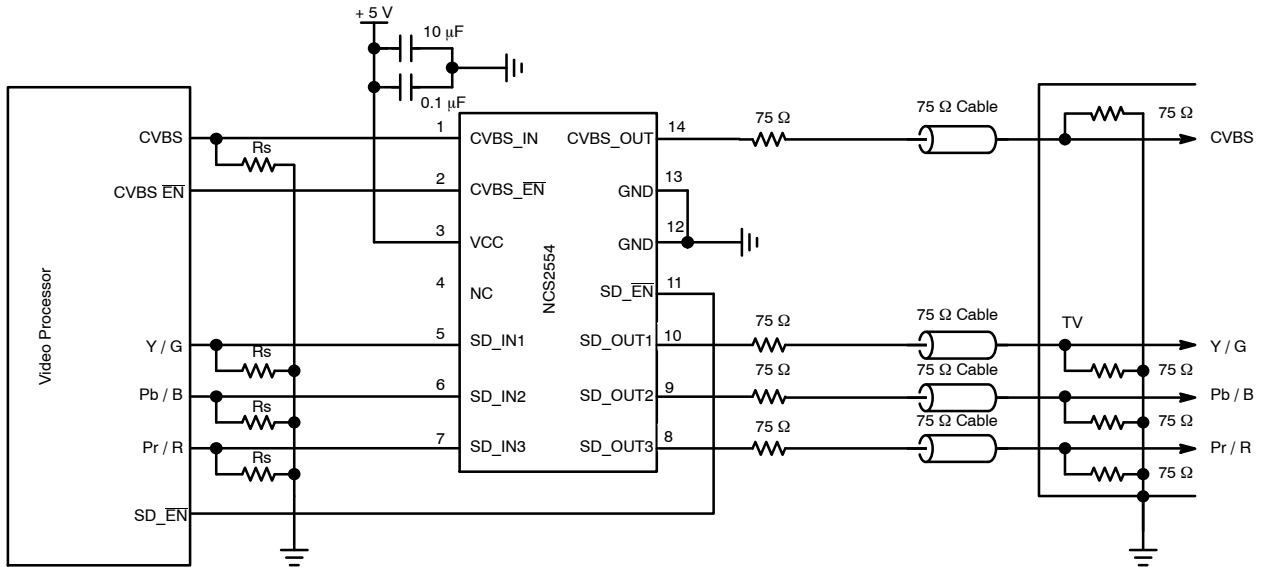


Figure 15. DC-Coupled Input and Output Configuration

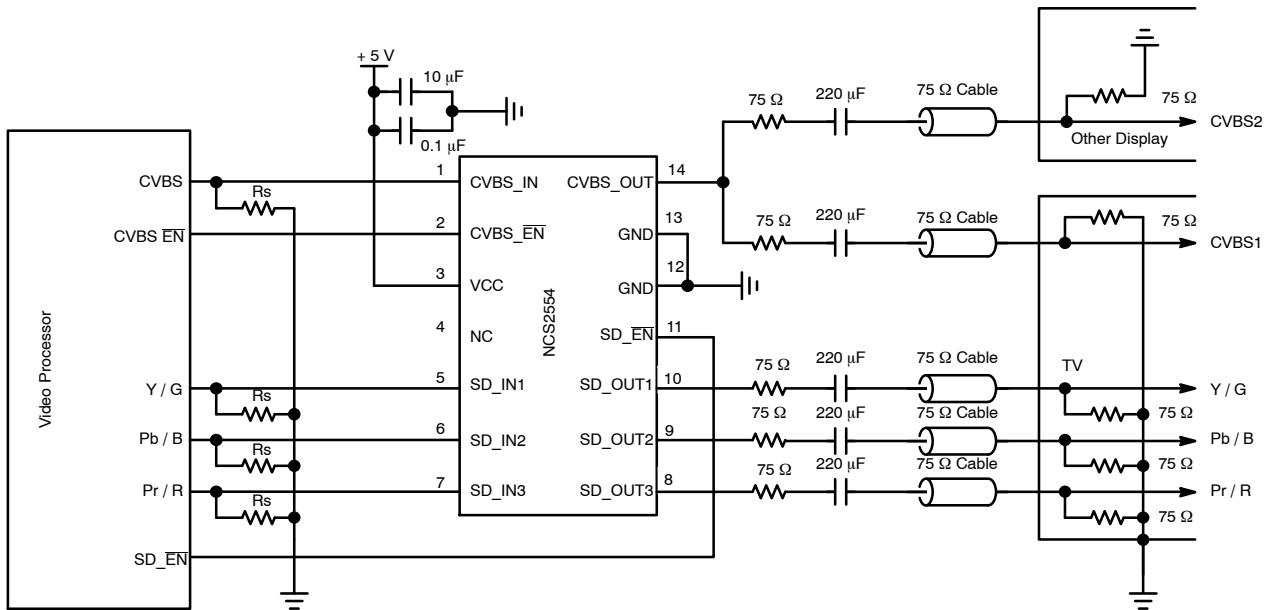


Figure 16. Typical Application

# NCS2554

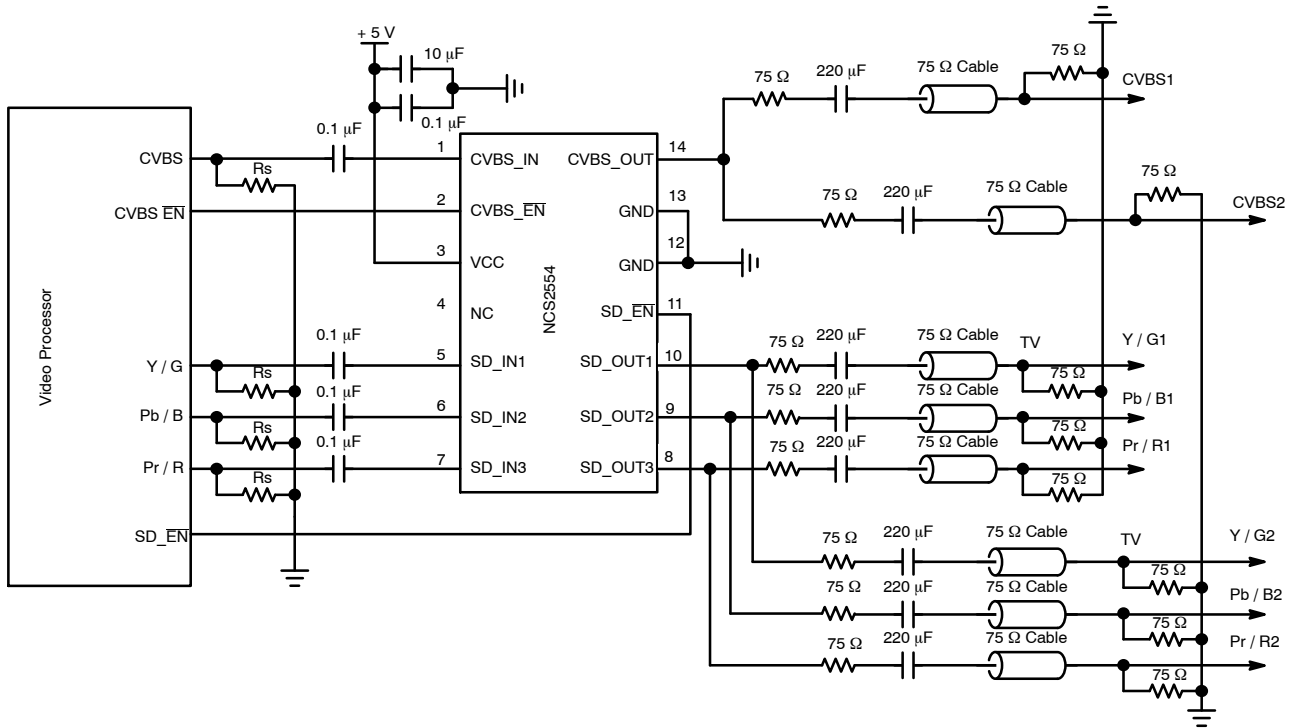


Figure 17. NCS2554 Driving 2 SCARTS Simultaneously

## Video Driving Capability

With an output current capability of 40 mA the NCS2554 was designed to be able to drive at least 2 video display loads in parallel. This type of application is illustrated Figure 16. Figure 18 (multiburst) and Figure 19 (linearity) show that the video signal can efficiently drive a 75 Ω equivalent load and not degrade the video performance.

## ESD Protection

All the device pins are protected against electrostatic discharge at a level of 8 kV. This feature has been considered

with a particular attention with ESD structure able to sustain a typical value of 8 kV. This parameter is particularly important for video drivers which usually constitute the last stage in the video chain before the video output connector. The test method used follow the IEC61000-4-2 methodology. More details can be provided if requested.

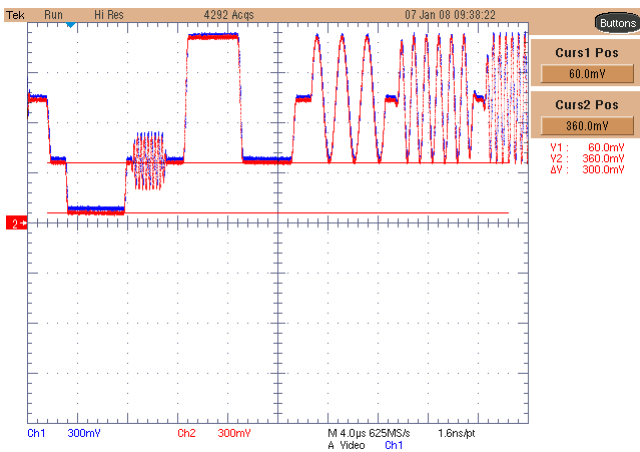


Figure 18. Multiburst Test with Two 150 Ω Loads

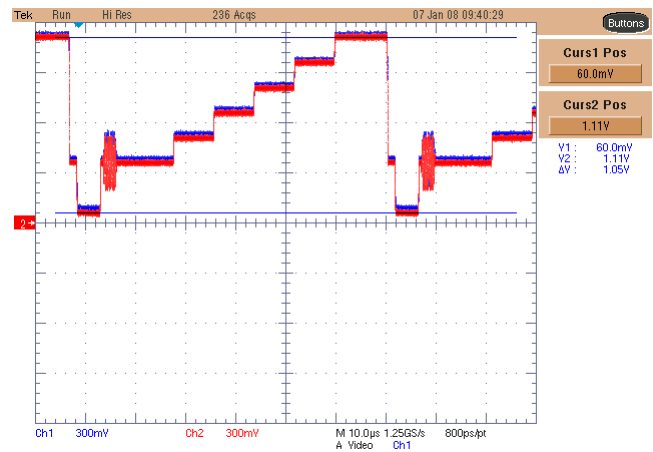


Figure 19. Linearity Test with Two 150 Ω Loads

**onsemi**, **Onsemi**, and other names, marks, and brands are registered and/or common law trademarks of Semiconductor Components Industries, LLC dba "**onsemi**" or its affiliates and/or subsidiaries in the United States and/or other countries. **onsemi** owns the rights to a number of patents, trademarks, copyrights, trade secrets, and other intellectual property. A listing of **onsemi**'s product/patent coverage may be accessed at [www.onsemi.com/site/pdf/Patent-Marking.pdf](http://www.onsemi.com/site/pdf/Patent-Marking.pdf). **onsemi** reserves the right to make changes at any time to any products or information herein, without notice. The information herein is provided "as-is" and **onsemi** makes no warranty, representation or guarantee regarding the accuracy of the information, product features, availability, functionality, or suitability of its products for any particular purpose, nor does **onsemi** assume any liability arising out of the application or use of any product or circuit, and specifically disclaims any and all liability, including without limitation special, consequential or incidental damages. Buyer is responsible for its products and applications using **onsemi** products, including compliance with all laws, regulations and safety requirements or standards, regardless of any support or applications information provided by **onsemi**. "Typical" parameters which may be provided in **onsemi** data sheets and/or specifications can and do vary in different applications and actual performance may vary over time. All operating parameters, including "Typicals" must be validated for each customer application by customer's technical experts. **onsemi** does not convey any license under any of its intellectual property rights nor the rights of others. **onsemi** products are not designed, intended, or authorized for use as a critical component in life support systems or any FDA Class 3 medical devices or medical devices with a same or similar classification in a foreign jurisdiction or any devices intended for implantation in the human body. Should Buyer purchase or use **onsemi** products for any such unintended or unauthorized application, Buyer shall indemnify and hold **onsemi** and its officers, employees, subsidiaries, affiliates, and distributors harmless against all claims, costs, damages, and expenses, and reasonable attorney fees arising out of, directly or indirectly, any claim of personal injury or death associated with such unintended or unauthorized use, even if such claim alleges that **onsemi** was negligent regarding the design or manufacture of the part. **onsemi** is an Equal Opportunity/Affirmative Action Employer. This literature is subject to all applicable copyright laws and is not for resale in any manner.

## ADDITIONAL INFORMATION

### TECHNICAL PUBLICATIONS:

Technical Library: [www.onsemi.com/design/resources/technical-documentation](http://www.onsemi.com/design/resources/technical-documentation)  
onsemi Website: [www.onsemi.com](http://www.onsemi.com)

### ONLINE SUPPORT: [www.onsemi.com/support](http://www.onsemi.com/support)

For additional information, please contact your local Sales Representative at [www.onsemi.com/support/sales](http://www.onsemi.com/support/sales)