

# CM1234

## ESD Clamp Array for High Speed Data Line Protection

### Product Description

The CM1234 is ideal for protecting systems with high data and clock rates or for circuits requiring low capacitive loading and tightly controlled signal skews (with channel-to-channel matching at 2% max deviation).

The device is particularly well-suited for protecting systems using high-speed ports such as DVI or HDMI, along with corresponding ports in removable storage, digital camcorders, DVD-RW drives and other applications where extremely low loading capacitance with ESD protection are required.

The CM1234 also features easily routed “pass-through” pinouts in a RoHS compliant (lead-free), 16-lead WDFN, small footprint package.

### Features

- ESD Protection for 4 Pairs of Differential Channels
- ESD Protection to IEC61000-4-2 Level 4
  - ±15 kV Contact Discharge
  - ±20 kV Air Discharge
- Pass-through Impedance Matched Clamp Architecture
- Flow-through Routing for High-speed Signal Integrity
- Minimal Line Capacitance Change with Temperature and Voltage
- 100 Ω Matched Impedance for Each Paired Differential Channel
- Each I/O Pin can Withstand Over 1000 ESD Strikes\*
- RoHS Compliant (lead-free) WDFN-16 Package

### Applications

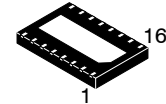
- DVI Ports, HDMI Ports in Notebooks, Set Top Boxes, Digital TVs, and LCD Displays
- General Purpose High-speed Data Line ESD Protection

\*Standard test condition is IEC61000-4-2 level 4 test circuit with each pin subjected to ±8 kV contact discharge for 1000 pulses. Discharges are timed at 1 second intervals and all 1000 strikes are completed in one continuous test run. The part is then subjected to standard production test to verify that all of the tested parameters are within spec after the 1000 strikes.



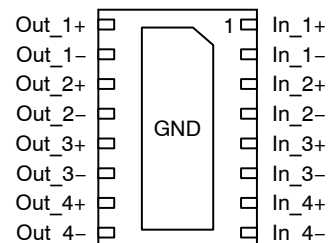
ON Semiconductor®

<http://onsemi.com>



WDFN16  
DE SUFFIX  
CASE 511AY

### PINOUT DIAGRAM



(Bottom View)

### ORDERING INFORMATION

See detailed ordering and shipping information in the package dimensions section on page 8 of this data sheet.

# CM1234

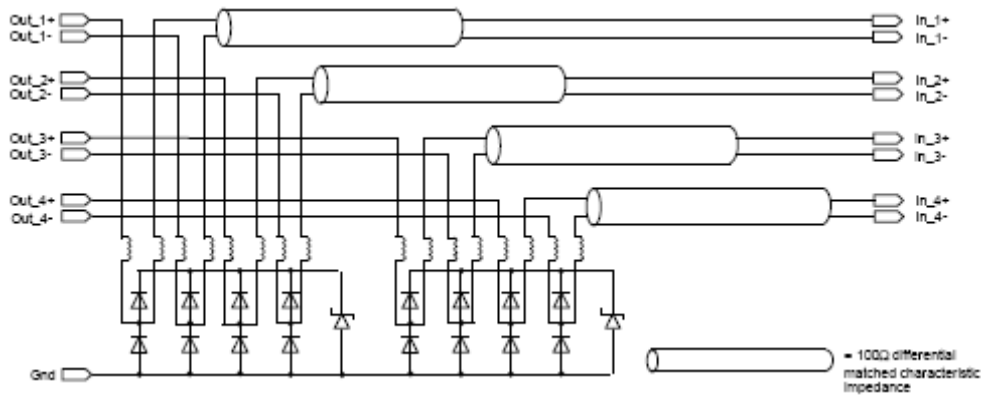


Figure 1. Block Diagram

## ESD Protection Architecture

Conceptually, an ESD protection device performs the following actions upon an ESD strike discharge into a protected ASIC (see Figure 2):

1. When an ESD potential is applied to the system under test (contact or air-discharge), Kirchoff's Current Law (KCL) dictates that the Electrical Overstress (EOS) currents will immediately divide throughout the circuit, based on the dynamic impedance of each path.
2. Ideally, the classic shunt ESD clamp will switch within 1 ns to a low-impedance path and return the majority of the EOS current to the chassis shield/reference ground. In actuality, if the ESD component's response time ( $t_{CLAMP}$ ) is slower than the ASIC it is protecting, or if the Dynamic Clamping Resistance ( $R_{DYN}$ ) is not significantly lower than the ASIC's I/O cell circuitry, then the ASIC will have to absorb a large amount of the EOS energy, and be more likely to fail.
3. Subsequent to the ESD/EOS event, both devices must immediately return to their original specifications, and be ready for an additional strike. Any deterioration in parasitics or clamping capability should be considered a failure, since it can then affect signal integrity or subsequent protection capability. (This is known as "multi-strike" capability.)

In the CM1234 architecture, the signal line leading the connector to the ASIC routes through the CM1234 chip which provides 100 Ω matched differential channel

characteristic impedance that helps optimize 100 Ω load impedance applications such as the HDMI high speed data lines.

NOTE: When each of the channels are used individually for single-ended signal lines protection, the individual channel provides 50 Ω characteristic impedance matching.

The load impedance matching feature of the CM1234 helps to simplify system designer's PCB layout considerations in impedance matching and also eliminates associated passive components.

The route through the architecture enables the CM1234 to provide matched impedance for the signal path between the connector and the ASIC. Besides this function, this circuit arrangement also changes the way the parasitic inductance interacts with the ESD protection circuit and helps reduce the  $I_{RESIDUAL}$  current to the ASIC.

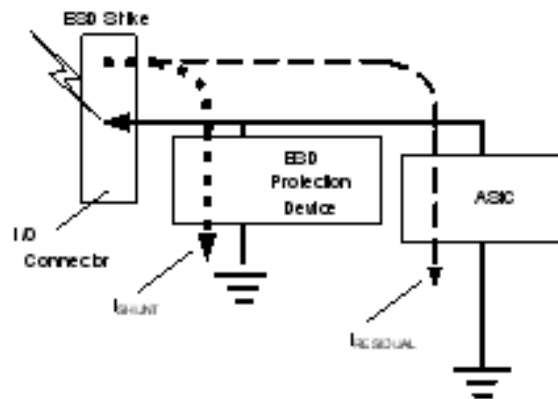
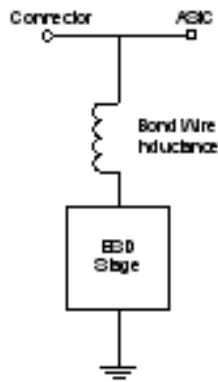


Figure 2. Standard ESD Protection Device Block Diagram

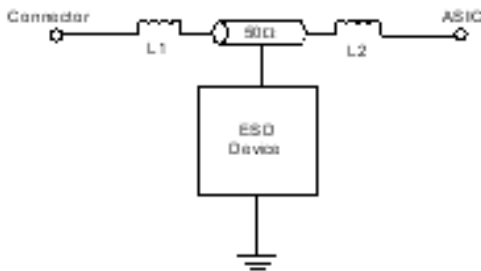
**The Architecture Advantages**

Figure 3 illustrates a standard ESD protection device. The inductor element represents the parasitic inductance arising from the bond wire and the PCB trace leading to the ESD protection diodes.



**Figure 3. Standard ESD Protection Model**

Figure 4 illustrates a standard ESD protection device. The inductor element represents the parasitic inductance arising from the bond wire and the PCB trace leading to the ESD protection diodes.



**Figure 4. CM1234 ESD Protection Model**

**CM1234 Inductor Elements**

In the CM1234 architecture, the inductor elements and ESD protection diodes interact differently compared to the standard ESD model.

In the standard ESD protection device model, the inductive element presents high impedance against high slew rate strike voltage, i.e. during an ESD strike. The impedance increases the resistance of the conduction path

leading to the ESD protection element. This limits the speed that the ESD pulse can discharge through the ESD protection element.

In the architecture, the inductive elements are in series to the conduction path leading to the protected device. The elements actually help to limit the current and voltage striking the protected device.

First the reactance of the inductive element, L1, on the connector side when an ESD strike occurs, acts in the opposite direction of the ESD striking current. This helps limit the peak striking voltage. Then the reactance of the inductive element, L2, on the ASIC side forces this limited ESD strike current to be shunted through the ESD protection diodes. At the same time, the voltage drop across both series element acts to lower the clamping voltage at the protected device terminal.

Through this arrangement, the inductive elements also tune the impedance of the ESD protection element by cancelling the capacitive load presented by the ESD diodes to the signal line. This improves the signal integrity and makes the overall ESD protection device more transparent to the high bandwidth data signals passing through the channel.

The innovative architecture turns the disadvantages of the parasitic inductive elements into useful components that help to limit the ESD current strike to the protected device and also improves the signal integrity of the system by balancing the capacitive loading effects of the ESD diodes. At the same time, this architecture provides an impedance matched signal path for 50 Ω loading applications.

Board designs can take advantage of precision internal component matching for improved signal integrity, which is not otherwise possible with discrete components at the system level. This helps to simplify the PCB layout considerations by the system designer and eliminates the associated passive components for load matching that is normally required with standard ESD protection circuits.

Each ESD channel consists of a pair of diodes in series which steer the positive or negative ESD current pulse to either the Zener diode or to ground. This embedded Zener diode also serves to eliminate the need for a separate bypass capacitor to absorb positive ESD strikes to ground. The CM1234 protects against ESD pulses up to ±18 kv contact per the IEC 61000-4-2 standard.

# CM1234

## PIN DESCRIPTIONS

| Pin | Name   | Description                                       |
|-----|--------|---|
| 1   | In_1+  | Bidirectional Clamp to ASIC (inside system)       |
| 2   | In_1-  | Bidirectional Clamp to ASIC (inside system)       |
| 3   | In_2+  | Bidirectional Clamp to ASIC (inside system)       |
| 4   | In_2-  | Bidirectional Clamp to ASIC (inside system)       |
| 5   | In_3+  | Bidirectional Clamp to ASIC (inside system)       |
| 6   | In_3-  | Bidirectional Clamp to ASIC (inside system)       |
| 7   | In_4+  | Bidirectional Clamp to ASIC (inside system)       |
| 8   | In_4-  | Bidirectional Clamp to ASIC (inside system)       |
| 9   | Out_4- | Bidirectional Clamp to Connector (outside system) |
| 10  | Out_4+ | Bidirectional Clamp to Connector (outside system) |
| 11  | Out_3- | Bidirectional Clamp to Connector (outside system) |
| 12  | Out_3+ | Bidirectional Clamp to Connector (outside system) |
| 13  | Out_2- | Bidirectional Clamp to Connector (outside system) |
| 14  | Out_2+ | Bidirectional Clamp to Connector (outside system) |
| 15  | Out_1- | Bidirectional Clamp to Connector (outside system) |
| 16  | Out_1+ | Bidirectional Clamp to Connector (outside system) |
| PAD | GND    | Ground return to shield                           |

Specifications

**Table 1. ABSOLUTE MAXIMUM RATINGS**

| Parameter                    | Rating      | Units |
|------------------------------|-------------|-------|
| Operating Temperature Range  | -40 to +85  | °C    |
| Storage Temperature Range    | -65 to +150 | °C    |
| Breakdown Voltage (Positive) | 6           | V     |

Stresses exceeding those listed in the Maximum Ratings table may damage the device. If any of these limits are exceeded, device functionality should not be assumed, damage may occur and reliability may be affected.

**Table 2. ELECTRICAL OPERATING CHARACTERISTICS**

(All parameters specified at  $T_A = -40^{\circ}\text{C}$  to  $+85^{\circ}\text{C}$  unless otherwise noted.)

| Symbol               | Parameter   | Conditions  | Min                      | Typ          | Max | Units         |
|----------------------|---|---|--------------------------|--------------|-----|---------------|
| $V_{IN}$             | I/O Voltage Relative to GND   |   | -0.5                     |              | 5.5 | V             |
| $I_{IN}$             | Continuous Current through signal pins (IN to OUT) 1000 Hr  |   |                          | 100          |     | mA            |
| $I_F$                | Channel Leakage Current   | $T_A = 25^{\circ}\text{C}$ ; $V_N = 0\text{ V}$ , $V_{TEST} = 5\text{ V}$         |                          | 0.1          | 1.0 | $\mu\text{A}$ |
| $V_{ESD}$            | ESD Protection – Peak Discharge Voltage at any channel input, in system:<br>a) Contact discharge per IEC 61000-4-2 Standard<br>and<br>b) Air discharge per IEC 61000-4-2 Standard | $T_A = 25^{\circ}\text{C}$<br><br>$T_A = 25^{\circ}\text{C}$                      | $\pm 15$<br><br>$\pm 20$ |              |     | kV            |
| $I_{RES}$            | Residual ESD Peak Current on RDUP (Resistance of Device Under Protection)   | IEC 61000-4-2 8 kV; RDUP = 5 $\Omega$ , $T_A = 25^{\circ}\text{C}$                |                          | 2.5          |     | A             |
| $V_{CL}$             | Channel Clamp Voltage (Channel clamp voltage per IEC 61000-4-5 Standard)<br>Positive Transients<br>Negative Transients  | $I_{PP} = 1\text{ A}$ , $T_A = 25^{\circ}\text{C}$ ,<br>$t_P = 8/20\ \mu\text{S}$ |                          | +9<br>-1.5   |     | V             |
| $R_{DYN}$            | Dynamic Resistance<br>Positive Transients<br>Negative Transients  | $I_{PP} = 1\text{ A}$ , $T_A = 25^{\circ}\text{C}$ ,<br>$t_P = 8/20\ \mu\text{S}$ |                          | 0.44<br>0.38 |     | $\Omega$      |
| $Z_o$                | Differential Channels pair characteristic impedance   | $T_R = 200\text{ ps}$   |                          | 100          |     | $\Omega$      |
| $\Delta Z_o$         | Channel-to-Channel Impedance Match (Differential)   | $T_R = 200\text{ ps}$   |                          | 2            |     | %             |
| $Z_{CHANNEL}$        | Individual Channel Characteristic Impedance in Single-ended Connection  | $T_R = 200\text{ ps}$   |                          | 50           |     | $\Omega$      |
| $\Delta Z_{CHANNEL}$ | Channel-to-Channel Impedance Match (Individual)   | $T_R = 200\text{ ps}$   |                          | 2            |     | %             |

Product parametric performance is indicated in the Electrical Characteristics for the listed test conditions, unless otherwise noted. Product performance may not be indicated by the Electrical Characteristics if operated under different conditions.

Performance Information

Graphical Comparison and Test Setup

Figure 5 shows that the CM1234 (ESD protector) lowers the peak voltage and clamping voltage by 45% across a wide range of loading conditions in comparison to a standard ESD protection device. Figure 6 also indicates that the DUP/ASIC protected by the CM1234 dissipates less energy than a standard ESD protection device. This data was derived using the test setups shown in Figure 7.

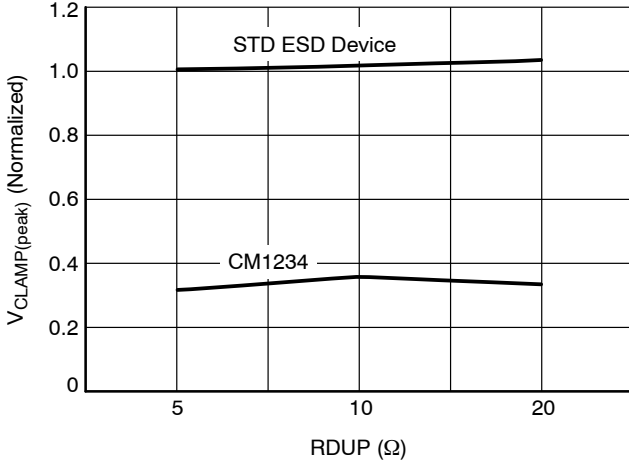


Figure 5. Normalized VPeak (8 KV IEC-61000 4-2 ESD Contact Strike) vs. Loading (RDUP)\*

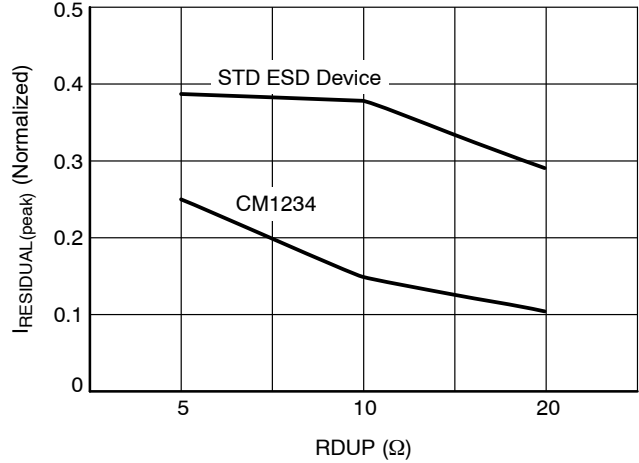


Figure 6. Normalized Residual Current into DUP vs. RDUP\*

\*RDUP is the emulated Dynamic Resistance (load) of the Device Under Protection (DUP).

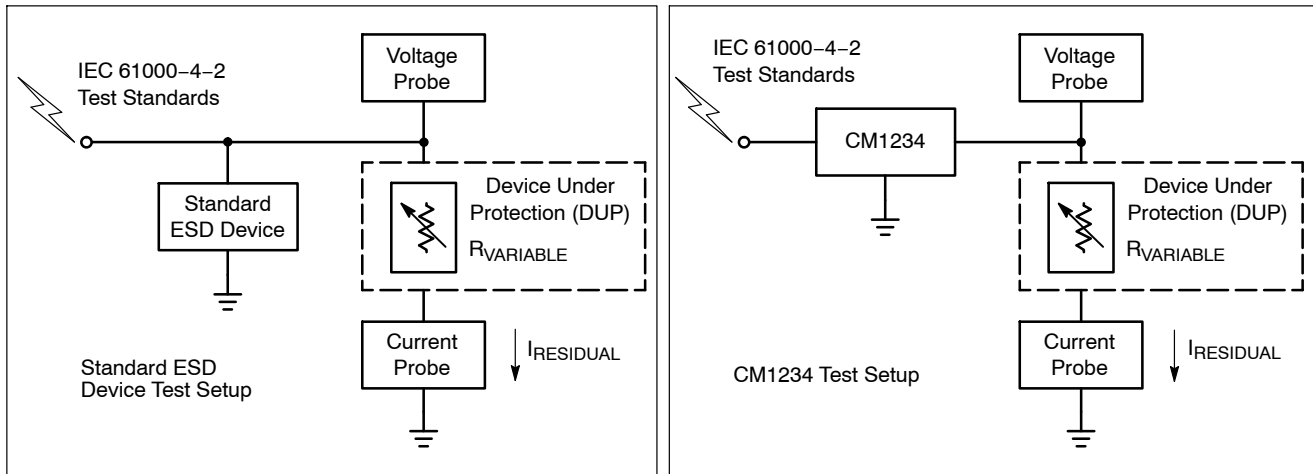
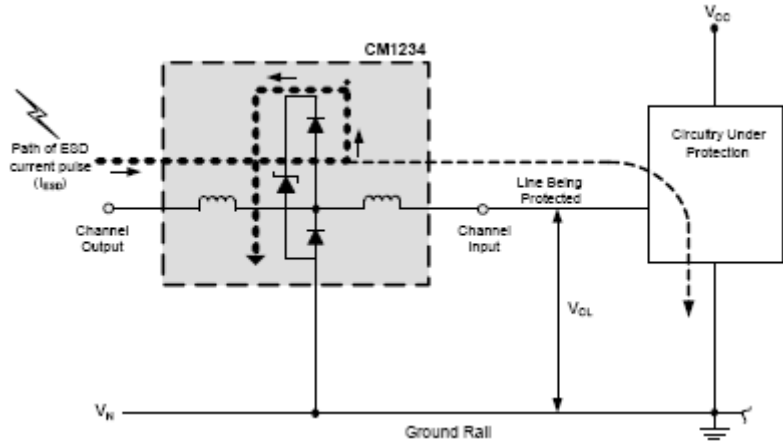


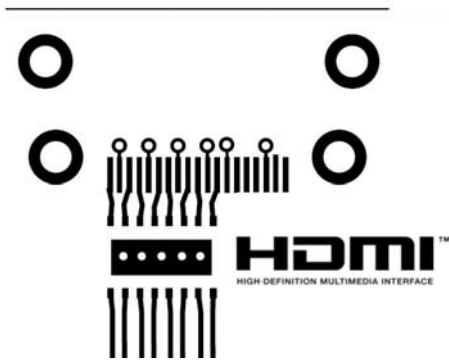
Figure 7. Test Setups: Standard Device (Left) and CM1234 (Right)

**CM1234 Application and Guidelines**

As a general rule, the CM1234 ESD protection array should be located as close as possible to the point of entry of expected electrostatic discharges with minimum PCB trace lengths to the ground planes and between the signal input and the ESD device to minimize stray series inductance.



**Figure 8. Application of Positive ESD Pulse Between Input Channel and Ground**



**Figure 9. Typical PCB Layout**

**Additional Information**

See also ON Semiconductor Application Note “Design Considerations for ESD Protection,” in the Applications section at [www.onsemi.com](http://www.onsemi.com).

# CM1234

## Ordering Information

### PART NUMBERING INFORMATION

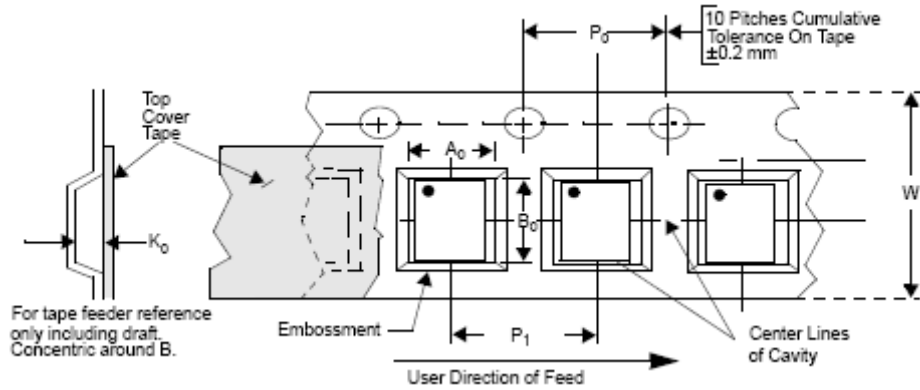
| Pin | Package | Ordering Part Number<br>(Lead-Free Finish) | Part Marking |
|-----|---------|--|--------------|
| 16  | WDFN-16 | CM1234-08DE                                | CM1234-08    |

NOTE: Parts are shipped in Tape & Reel form unless otherwise specified.

### TAPE AND REEL SPECIFICATIONS †

| Part Number | Package Size (mm)  | Pocket Size (mm)<br>$B_0 \times A_0 \times K_0$ | Tape Width<br>W | Reel Diameter | Qty per Reel | $P_0$ | $P_1$ |
|-------------|--------------------|---|-----------------|---------------|--------------|-------|-------|
| CM1234      | 6.00 X 4.00 X 0.75 | 6.30 X 4.30 X 1.10                              | 12 mm           | 330 mm (13")  | 3000         | 4 mm  | 8 mm  |

†For information on tape and reel specifications, including part orientation and tape sizes, please refer to our Tape and Reel Packaging Specifications Brochure, BRD8011/D.

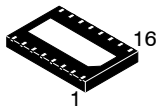




# MECHANICAL CASE OUTLINE

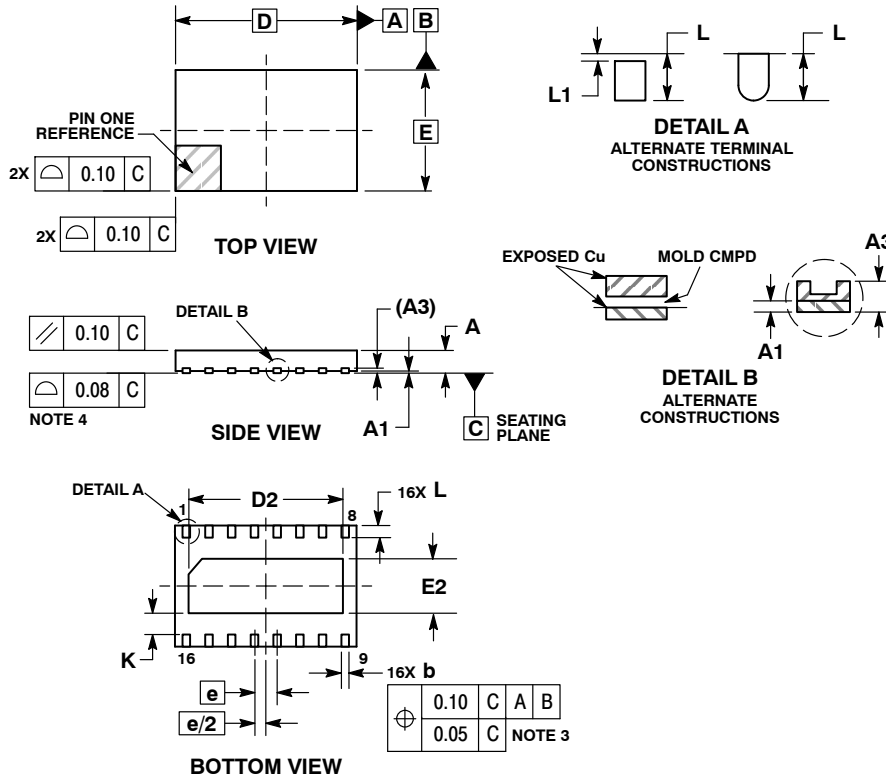
## PACKAGE DIMENSIONS

ON Semiconductor®



**WDFN16, 6x4, 0.75P**  
CASE 511AY-01  
ISSUE O

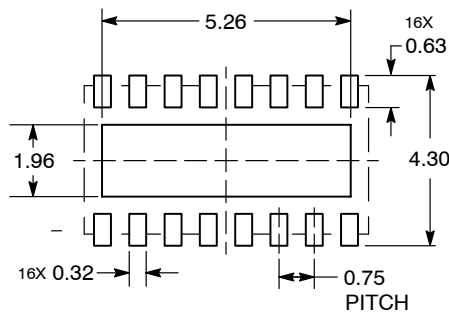
DATE 21 JUL 2010



- NOTES:
1. DIMENSIONING AND TOLERANCING PER ASME Y14.5M, 1994.
  2. CONTROLLING DIMENSION: MILLIMETERS.
  3. DIMENSION b APPLIES TO PLATED TERMINAL AND IS MEASURED BETWEEN 0.15 AND 0.30 MM FROM TERMINAL TIP.
  4. COPLANARITY APPLIES TO THE EXPOSED PAD AS WELL AS THE TERMINALS.

| MILLIMETERS |      |      |
|-------------|------|------|
| DIM         | MIN  | MAX  |
| A           | 0.70 | 0.80 |
| A1          | 0.00 | 0.05 |
| A3          | 0.20 | REF  |
| b           | 0.20 | 0.30 |
| D           | 6.00 | BSC  |
| D2          | 5.05 | 5.15 |
| E           | 4.00 | BSC  |
| E2          | 1.75 | 1.85 |
| e           | 0.75 | BSC  |
| K           | 0.70 | REF  |
| L           | 0.35 | 0.45 |
| L1          | ---  | 0.15 |

### RECOMMENDED SOLDERING FOOTPRINT\*



\*For additional information on our Pb-Free strategy and soldering details, please download the ON Semiconductor Soldering and Mounting Techniques Reference Manual, SOLDERRM/D.

|                         |                           |  |
|-------------------------|---------------------------|--|
| <b>DOCUMENT NUMBER:</b> | <b>98AON48928E</b>        | Electronic versions are uncontrolled except when accessed directly from the Document Repository. Printed versions are uncontrolled except when stamped "CONTROLLED COPY" in red. |
| <b>DESCRIPTION:</b>     | <b>WDFN16, 6X4, 0.75P</b> | <b>PAGE 1 OF 1</b>   |

ON Semiconductor and are trademarks of Semiconductor Components Industries, LLC dba ON Semiconductor or its subsidiaries in the United States and/or other countries. ON Semiconductor reserves the right to make changes without further notice to any products herein. ON Semiconductor makes no warranty, representation or guarantee regarding the suitability of its products for any particular purpose, nor does ON Semiconductor assume any liability arising out of the application or use of any product or circuit, and specifically disclaims any and all liability, including without limitation special, consequential or incidental damages. ON Semiconductor does not convey any license under its patent rights nor the rights of others.

**onsemi**, **Onsemi**, and other names, marks, and brands are registered and/or common law trademarks of Semiconductor Components Industries, LLC dba "**onsemi**" or its affiliates and/or subsidiaries in the United States and/or other countries. **onsemi** owns the rights to a number of patents, trademarks, copyrights, trade secrets, and other intellectual property. A listing of **onsemi**'s product/patent coverage may be accessed at [www.onsemi.com/site/pdf/Patent-Marking.pdf](http://www.onsemi.com/site/pdf/Patent-Marking.pdf). **onsemi** reserves the right to make changes at any time to any products or information herein, without notice. The information herein is provided "as-is" and **onsemi** makes no warranty, representation or guarantee regarding the accuracy of the information, product features, availability, functionality, or suitability of its products for any particular purpose, nor does **onsemi** assume any liability arising out of the application or use of any product or circuit, and specifically disclaims any and all liability, including without limitation special, consequential or incidental damages. Buyer is responsible for its products and applications using **onsemi** products, including compliance with all laws, regulations and safety requirements or standards, regardless of any support or applications information provided by **onsemi**. "Typical" parameters which may be provided in **onsemi** data sheets and/or specifications can and do vary in different applications and actual performance may vary over time. All operating parameters, including "Typicals" must be validated for each customer application by customer's technical experts. **onsemi** does not convey any license under any of its intellectual property rights nor the rights of others. **onsemi** products are not designed, intended, or authorized for use as a critical component in life support systems or any FDA Class 3 medical devices or medical devices with a same or similar classification in a foreign jurisdiction or any devices intended for implantation in the human body. Should Buyer purchase or use **onsemi** products for any such unintended or unauthorized application, Buyer shall indemnify and hold **onsemi** and its officers, employees, subsidiaries, affiliates, and distributors harmless against all claims, costs, damages, and expenses, and reasonable attorney fees arising out of, directly or indirectly, any claim of personal injury or death associated with such unintended or unauthorized use, even if such claim alleges that **onsemi** was negligent regarding the design or manufacture of the part. **onsemi** is an Equal Opportunity/Affirmative Action Employer. This literature is subject to all applicable copyright laws and is not for resale in any manner.

## ADDITIONAL INFORMATION

### TECHNICAL PUBLICATIONS:

Technical Library: [www.onsemi.com/design/resources/technical-documentation](http://www.onsemi.com/design/resources/technical-documentation)  
onsemi Website: [www.onsemi.com](http://www.onsemi.com)

### ONLINE SUPPORT: [www.onsemi.com/support](http://www.onsemi.com/support)

For additional information, please contact your local Sales Representative at [www.onsemi.com/support/sales](http://www.onsemi.com/support/sales)

